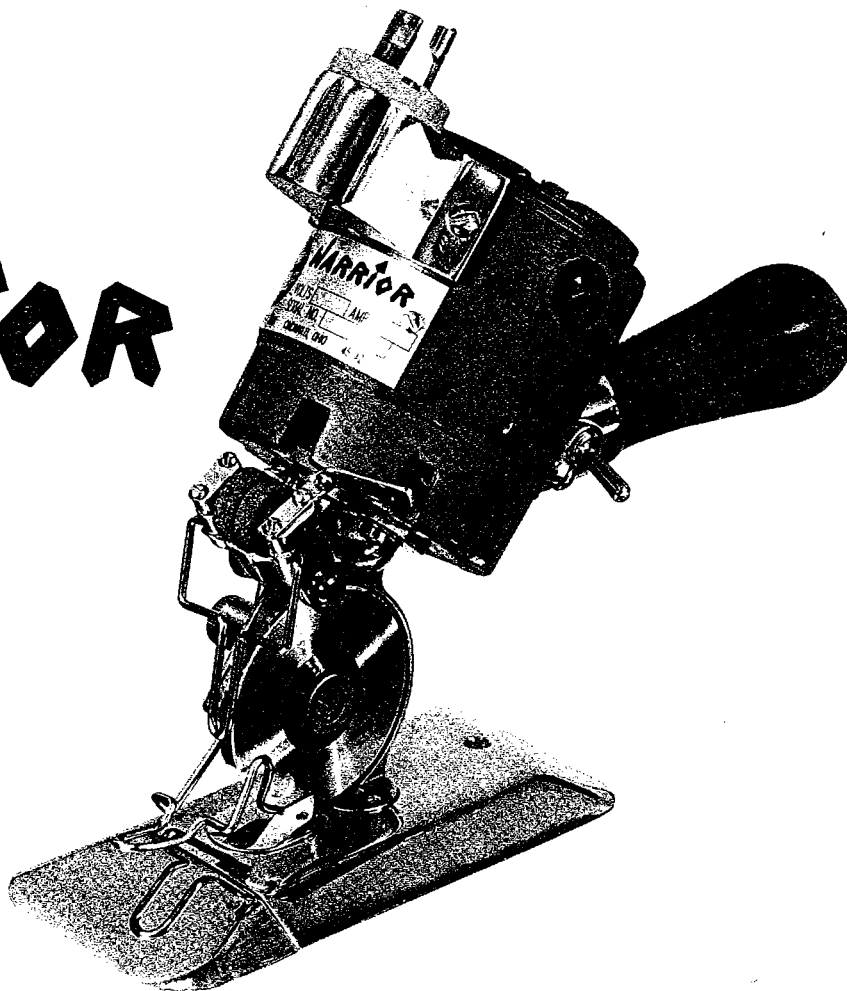


WOLF[®] PARTS AND SERVICE MANUAL

WARRIOR



From the library of: Diamond Needle Corp

WARNING

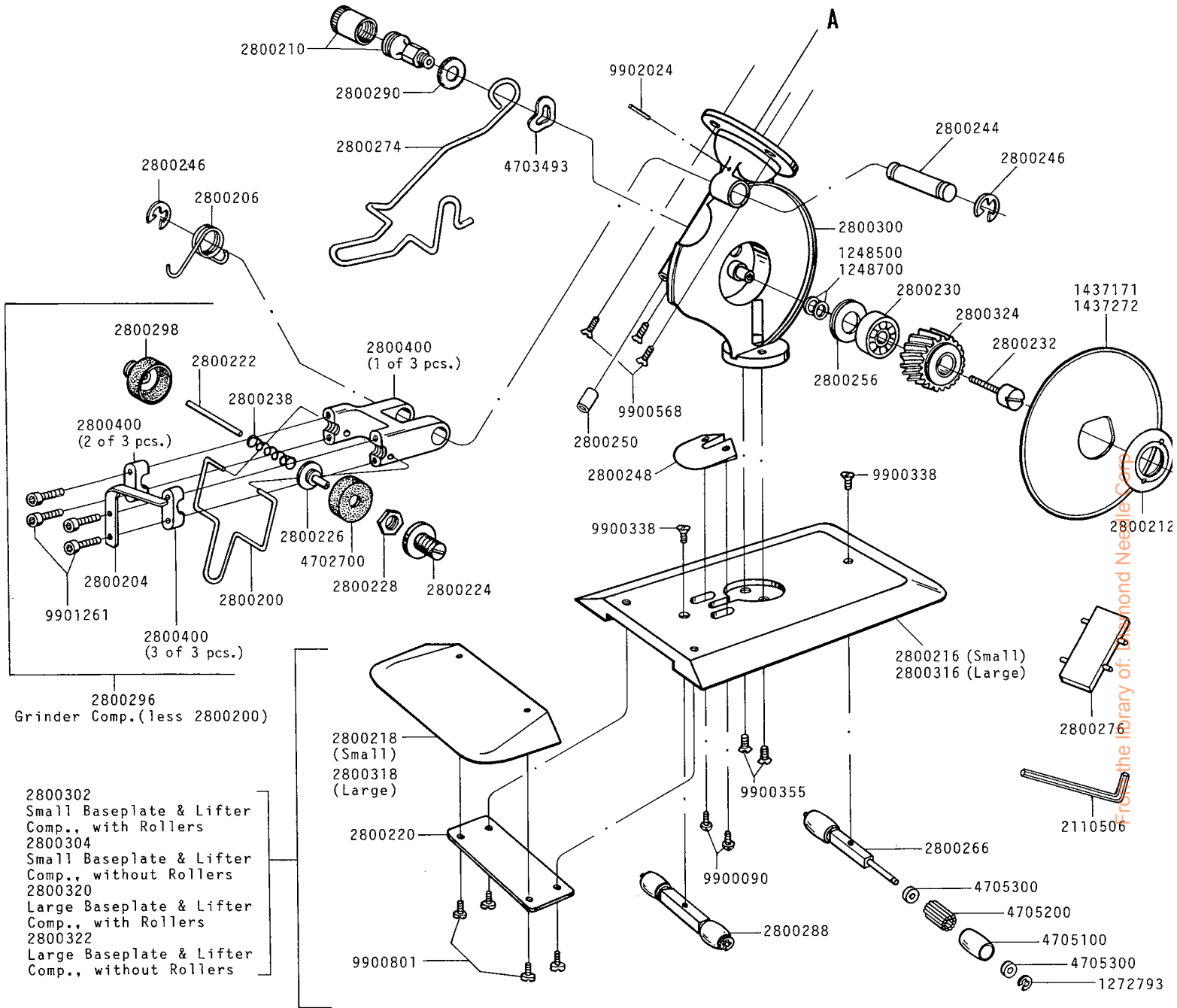
This is a hazardous type of machinery and should be used with care. Always disconnect electrical connector before performing repairs, adjustments or maintenance. Be sure machine is properly grounded. Never place hands or any part of your person in the path of the machine when it's in service. Keep the front guards as low as possible during operation and completely down when not in use. For personal safety the operator should remove all loose fitting jewelry, shouldn't wear loose or baggy fitting clothing and persons with long hair should cover or pull it back.



THE WOLF MACHINE COMPANY

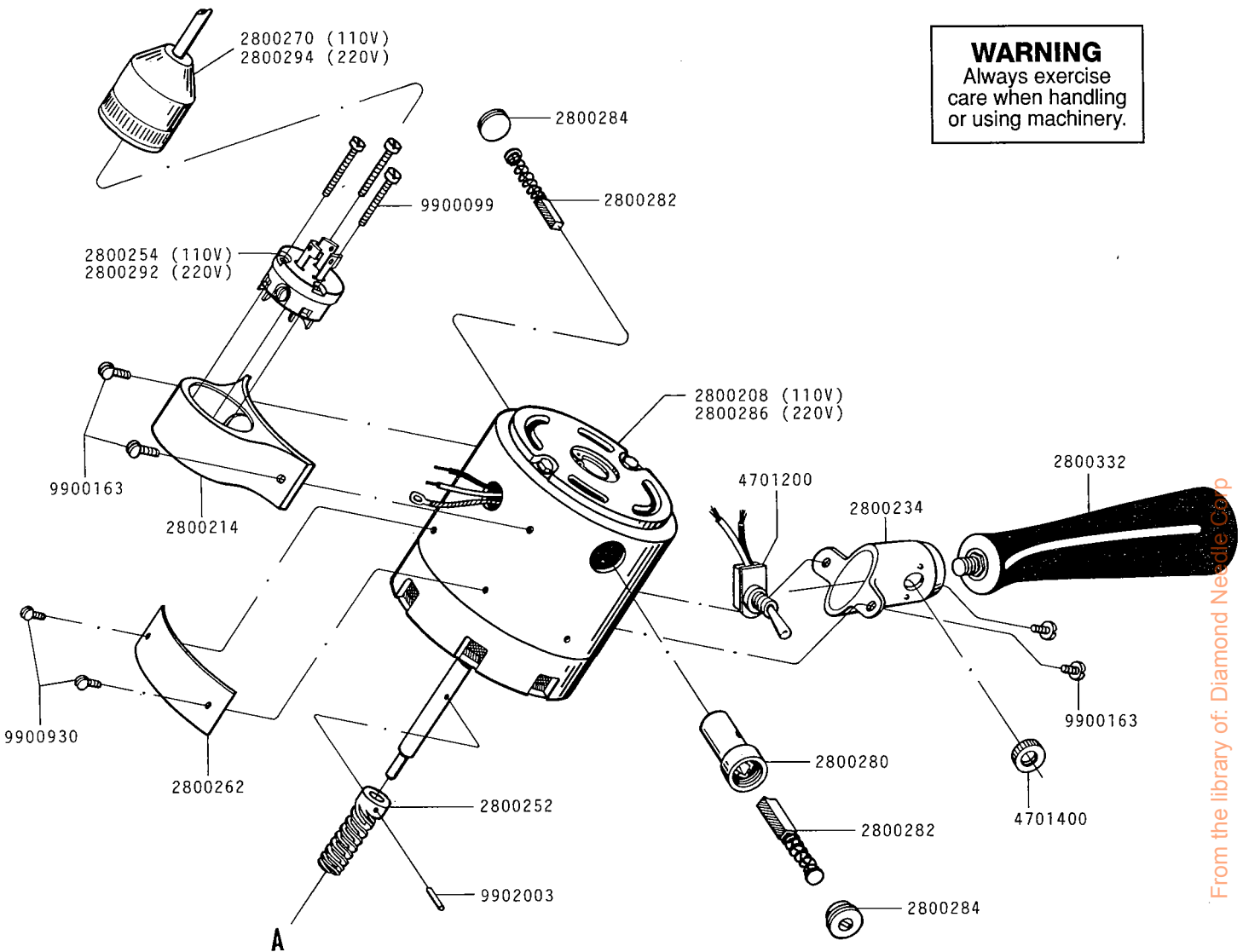
5570 Creek Road ■ Cincinnati, OH 45242 ■ USA
Phone: 513-791-5194 ■ FAX 513-791-0925
TOLL FREE 1-800-543-WOLF

STANDARD ■ GEARS ■ BASE ■ BLADE



Part No.	Description	Quantity used if more than 1	Part No.	Description	Quantity used if more than 1
1248500	Knife Gear Shim (.005)		2800228	Emery Wheel Clamp Nut	2
1248700	Knife Gear Shim (.003)		2800230	Blade Bearing	
1272793	Retaining Ring	4	2800232	Gear Retaining Screw	
1437171	2-1/2" O.D. Warrior Blade HSS		2800234	Handle Adapter	
1437272	2-1/2" O.D. Warrior Blade Teflon		2800238	Spring - Sharpener Axle	
2110506	3/32" Allen Wrench		2800244	Sharpener Pivot Pin	
2800200	Blade Guard - Sharpener		2800246	Retaining Ring	2
2800204	Sharpener Lever		2800248	Toe	
2800206	Sharpener Return Spring		2800250	Bronze Bushing	
2800208	Motor - 110 Volts		2800252	Worm Gear	
2800210	Grease Cup		2800254	Plug - 110 Volts	
2800212	Knife Nut		2800256	Bearing Retainer	
2800214	Plug Mount		2800262	Nameplate	
2800216	Baseplate - Small		2800266	Roller Axle	2
2800218	Lifter - Small		2800270	Receptacle - 110 Volts	
2800220	Lifter Spring		2800274	Blade Guard - Lower	
2800222	Axle - Sharpener		2800276	Blade Wrench S.A.	
2800224	Emery Wheel Adjusting Screw	2	2800280	Brush Holder	2
2800226	Emery Wheel Pivot Screw	2			

MOTOR ■ ELECTRICAL PLUGS ■ SWITCH



WARNING
Always exercise care when handling or using machinery.

When ordering a part specify: Part Number, Description and Machine Serial Number.

Part No.	Description	Quantity used if more than 1	Part No.	Description	Quantity used if more than 1
2800282	Brush	2	4701200	Switch	
2800284	Cap	2	4701400	Switch Locknut	
2800286	Motor - 220 Volts		4702700	Emery Wheel	2
2800288	Roller Assembly Complete	2	4703493	Wave Washer	
2800290	Washer		4705100	Roller	4
2800292	Plug - 220 Volts		4705200	Roller Pin	52
2800294	Receptacle - 220 Volts		4705300	Roller Washer	8
2800296	Grinder Complete (less part #2800200)		9900090	Screw - Toe	2
2800298	Emery Wheel w/Emery Wheel Adj'g Screw S.A.2 Standard		9900099	Screw - Plug	3
2800300	Standard		9900163	Screw - Plug Mount/Handle	2/2
2800302	Small Baseplate & Lifter Comp. w/Rollers		9900338	Screw - Roller	2
2800304	Small Baseplate & Lifter Comp. w/o Rollers		9900355	Screw - Standard to Baseplate	2
2800316	Baseplate - Large		9900568	Screw - Standard to Motor	3
2800318	Lifter - Large		9900801	Screw - Lifter Spring	4
2800320	Large Baseplate & Lifter Comp. w/Rollers		9900930	Screw - Nameplate	2
2800322	Large Baseplate & Lifter Comp. w/o Rollers		9901261	Screw - Sharpener Housing	4
2800324	Blade Gear S.A.		9902003	Pin - Worm Gear	
2800332	Handle with stud		9902024	Stop Pin - Sharpener	
2800400	Sharpener Housing Complete (3 pieces)				

SERVICE INSTRUCTIONS

Keep the machine clean and properly adjusted, as this will add to its life and efficiency. When ordering replacement parts be sure to give Part Number, Description and Machine Serial Number.

■ LUBRICATION

The grease cup in the standard should be half filled with grease. Use only a good grade of grease. Keep emery free from oil and grease. To do this, remove emery and rub wheels together until they show a good surface, or spray with Keep-M-Kleen solution (Order #2100600).

■ TO SHARPEN KNIFE

It is most essential that a keen cutting edge be kept on the knife at all times, as this insures clean and easy cutting. To obtain this, the grinding wheels must be kept properly adjusted. Because of the wear of knife and emery wheels, it is necessary to adjust emeries toward the knife to avoid long bevel. Wheels must touch knife evenly. Adjustment is made by releasing screws clamping the threaded journals. The journals can then be turned to the proper position. Care should be taken that the emery wheels do not go too far down on knife. A good bevel of 1/8" makes a good cutting edge. Emeries must spin free at all times.

■ TO REMOVE KNIFE

To remove knife: Place pin in hole through knife blade, use knife wrench and turn knife nut to left. When knife wears, move toeplate back so that knife is about 1/16" from end of slot. Be sure to tighten screws that secure toeplate.

■ TO REMOVE GEAR

To remove knife gear: Have knife on gear, then put pin in hole through knife blade and loosen bearing locknut with pin wrench. Remove knife and locknut. Then remove screw and washer. The gear can then be lifted off. Be sure not to lose any washers that may be under bearing, as they adjust the mesh of the gears. When replacing, be sure the screw and locknut are tight.



THE WOLF MACHINE COMPANY

5570 Creek Road ■ Cincinnati, OH 45242 ■ USA
Phone: 513-791-5194 ■ FAX 513-791-0925
TOLL FREE 1-800-543-WOLF