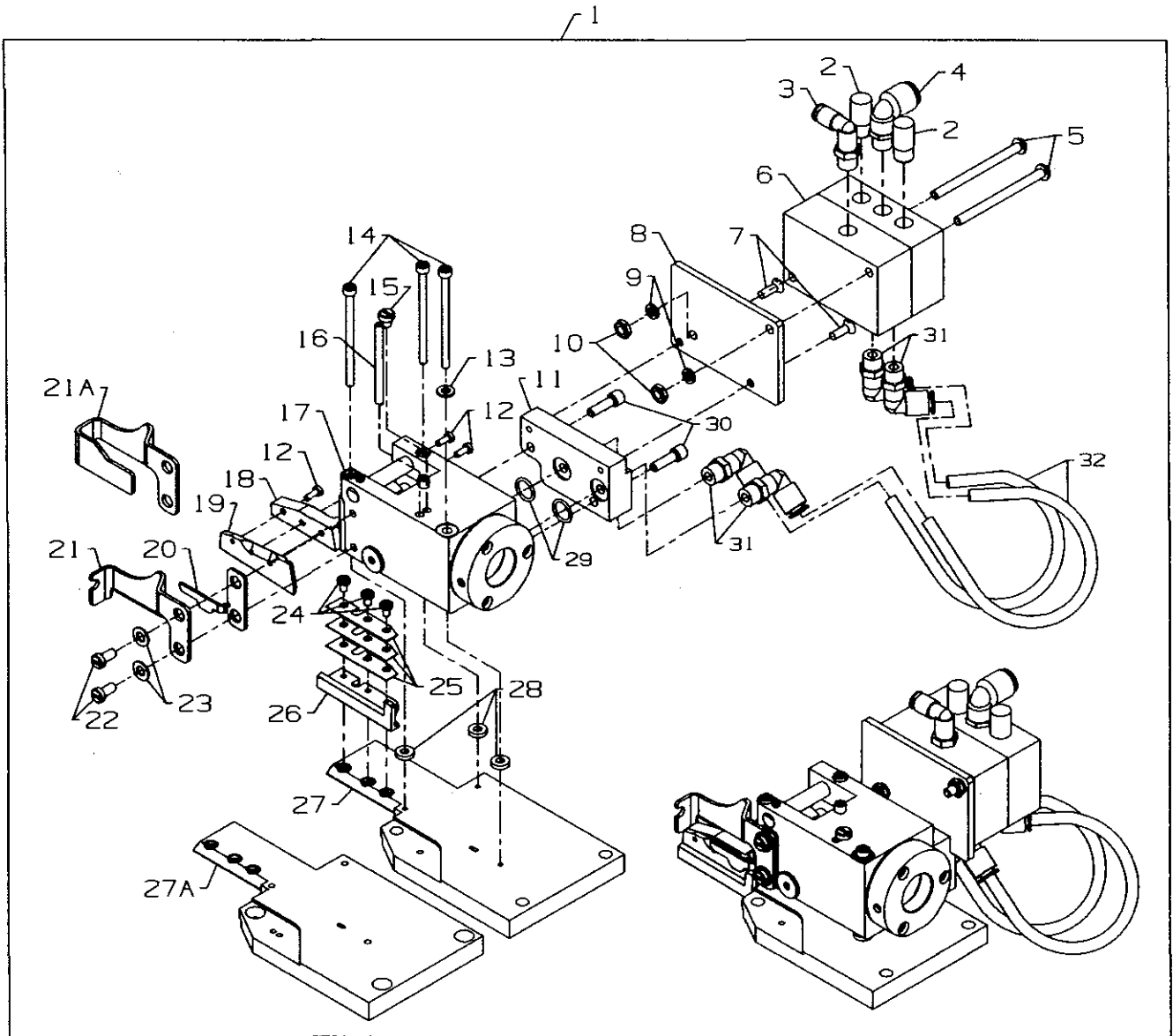
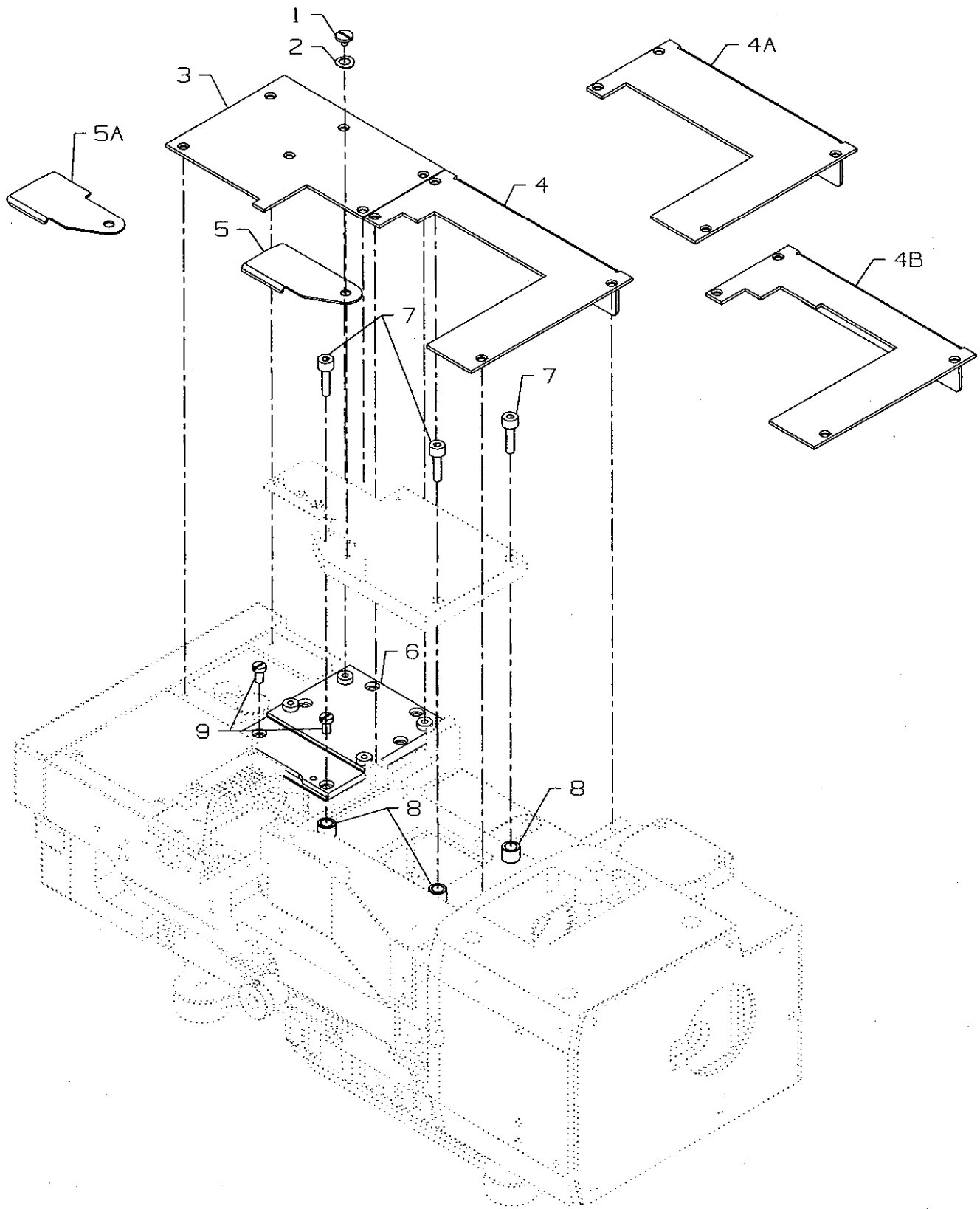


TC4 & TC4B Pneumatic Fast Action Tape Cutter is activated by using the Pneumatic Knee Switch.



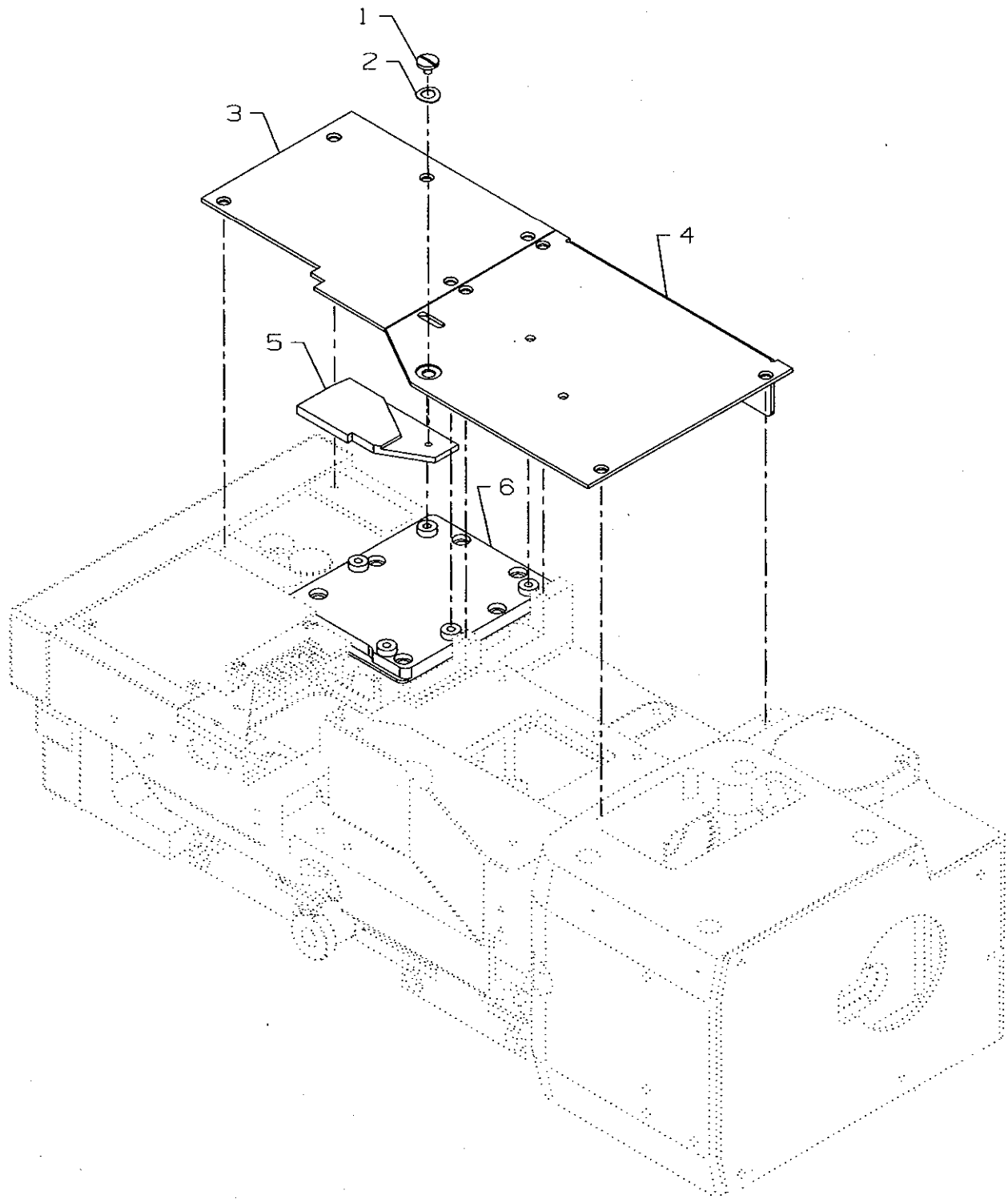
## TC4 PNEUMATIC FAST ACTION TAPE CUTTER

Ref. No.	Part No.	Description	Amt. Req.
1.	29933CB	Pneumatic Fast Action Tape Cutter Ass., for styles C01, E12, UC01, UE12 .....	1
-	29486AR	Pneumatic Fast Action Tape Cutter Ass., for styles UC02 .....	1
2.	660-403	Muffler .....	2
3.	671F82C	Male "L" .....	1
4.	671F79	Elbow Fitting .....	1
5.	22635F144	Round Head .....	2
6.	671-86	Binary Counter Valve .....	1
7.	22637N32	Ft. Hd. Screw .....	2
8.	56382AR	Bracket .....	1
9.	RM3993-3	Washer .....	2
10.	660-602	#10-24 Hex Nut .....	2
11.	56382AS	Manifold .....	1
12.	99343D	Screw .....	3
13.	8372A	Washer .....	1
14.	95409A	Screw .....	3
15.	95169	Screw .....	1
16.	99702E	Eccentric Bolt .....	1
17.	29933C	Tape Clipper .....	1
18.	99701CA	Knife Lever .....	1
19.	99670MC	Upper Knife .....	1
20.	99682NC	Finger Guard, for 29933CB .....	1
21.	99682ND	Finger Guard, for 29933CB .....	1
21A.	50396N	Finger Guard, for 29486AR .....	1
22.	95157	Screw .....	2
23.	20	Washer .....	2
24.	22513D	Screw .....	3
25.	99702DA	Shim .....	2
26.	99669MC	Lower Knife .....	1
27.	50373CK	Base Plate, for 29933CB .....	1
27A.	50383BH	Base Plate, for 29486AR .....	1
28.	99702GA	Spacer .....	3
29.	999-93	Round Belt - "O" Ring .....	2
30.	95403A	Screw .....	2
31.	671F81C	Elbow .....	4
32.	671B37DA	Nylon Tubing .....	2



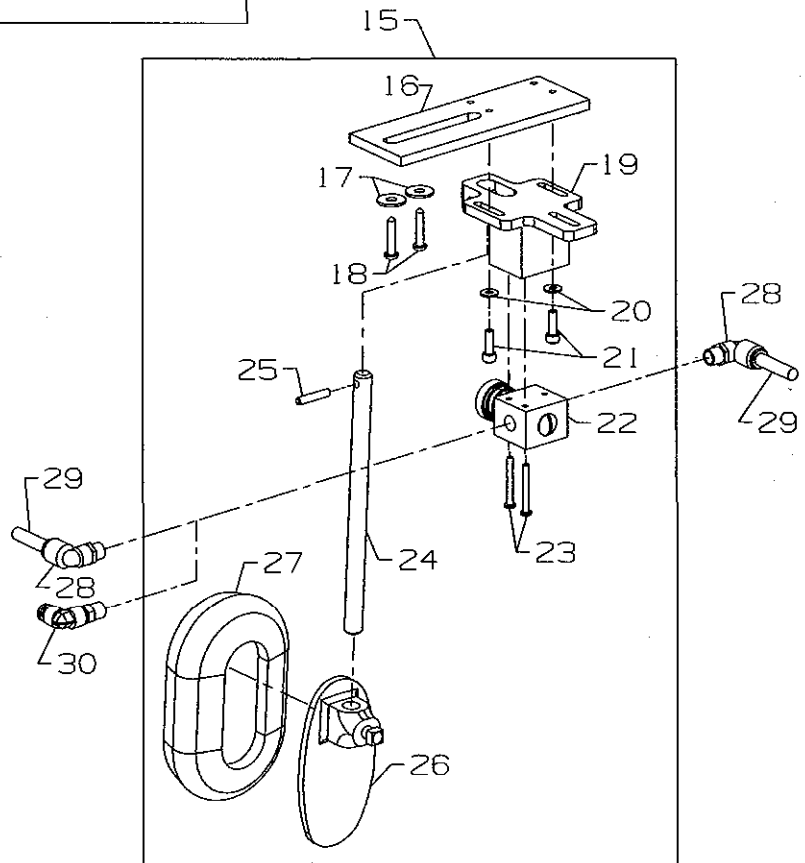
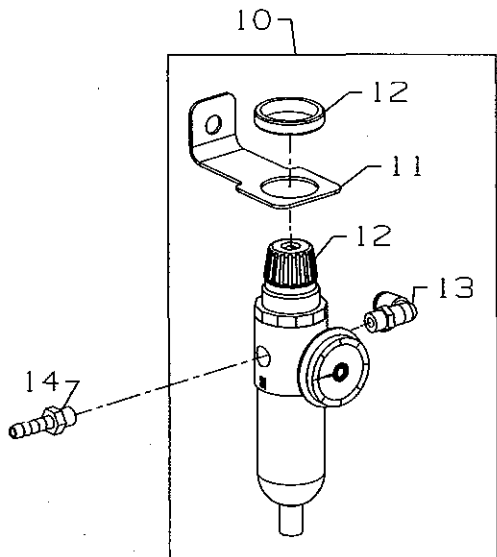
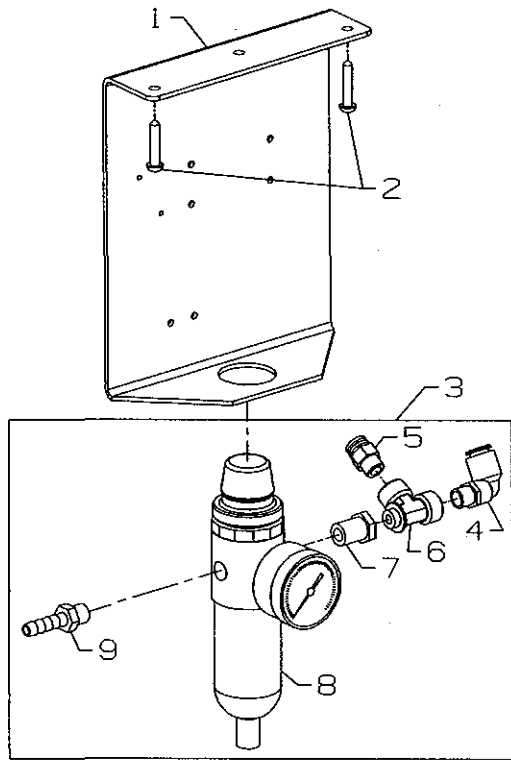
TC1, TC2, TC3,TC4 MISCELLANEOUS COVERS, FLUSH MOUNT

Ref. No.	Part No.	Description	Amt. Req.
1.	22726	Screw, for swing plate .....	1
2.	95978	Washer, for swing plate .....	1
3.	50301BC	Cloth Plate, left .....	1
4.	50301CL	Cloth Plate, right, for 29486AF, 29486AG, 29486AD Tape Cutters .....	1
4A.	50301BD	Cloth Plate, right, for 29933CB, 29486AR Tape Cutters .....	1
4B.	50301DB	Cloth Plate, right, for 29486AK, 29486AP Tape Cutters .....	1
5.	50332N	Swing Plate, for 29486AF, 29486AG, 29486AD, 29933CB Tape Cutters .....	1
5A.	50362P	Swing Plate, for 29486AK, 29486AP, 29486AR Tape Cutters .....	1
6.	50382GP	Cover, feed chamber.....	1
7.	99371B	Screw .....	3
8.	50374H	Spacer .....	3
9.	SS6120940SP	Screw .....	2



TC2 MISCELLANEOUS COVERS, TOP MOUNT

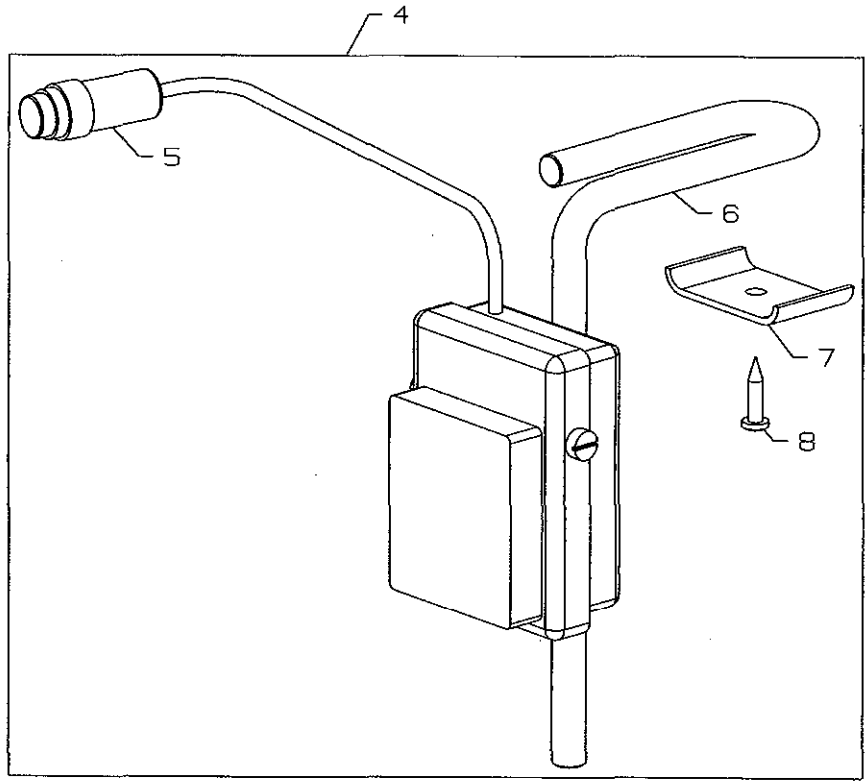
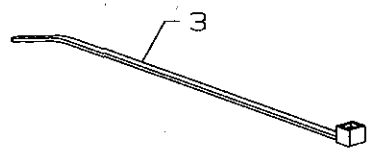
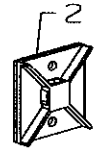
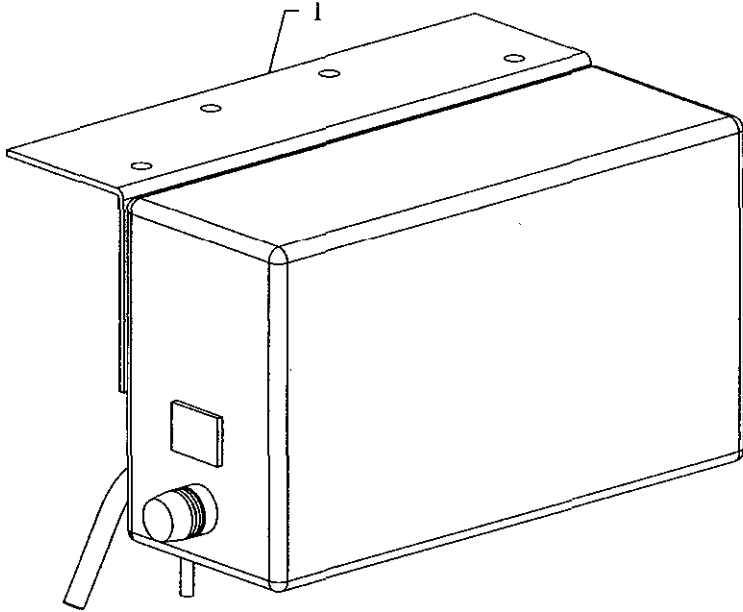
Ref. No.	Part No.	Description	Amt. Req.
1.	22726	Screw, for swing plate .....	1
2.	95978	Washer, for swing plate .....	1
3.	50301BU	Cloth Plate, left .....	1
4.	50301BT	Cloth Plate, right, for 29486AE Tape Cutter .....	1
5.	50345U	Swing Plate, for 29486AE Tape Cutter .....	1
6.	50382GP	Cover, feed chamber.....	1



## TC2, TC4, TC4B PNEUMATIC CONTROLS

Ref. No.	Part No.	Description	Amt. Req.
1.	99683CP	Mounting Bracket, for TC4 .....	1
2.	90561K	Wood Screw .....	2
3.	29480AWF	Pneumatic Control Assembly, for TC4 .....	1
4.	671F79	Elbow Fitting .....	1
5.	671F81D	Connector .....	1
6.	RM2850D	Tee .....	1
7.	671F6	Bushing .....	1
8.	671D42	Filter Regulator .....	1
9.	671F88	Barb Fitting .....	1
10.	29480ZA	Pneumatic Control Assembly, for TC2 .....	1
11.	39583A	Mounting Bracket .....	1
12.	671D31	Filter Regulator .....	1
13.	671F79	Elbow Fitting .....	1
14.	671F1	Barb Fitting .....	1
15.	29480AWN	Knee Press Fitting .....	1
16.	50364H	Mounting Plate .....	1
17.	96902	Washer .....	2
18.	90561K	Wood Screw .....	2
19.	AS7-2	Knee Press Base .....	1
20.	RM3293-5	Flat Washer .....	2
21.	22653B10	Screw .....	2
22.	671-85	3-Way Valve Assembly .....	1
23.	RM4377-4	Screw .....	2
24.	AS7-1	Knee Press Rod .....	1
25.	667C16	Dowel Pin .....	1
26.	AS7-3	Knee Press .....	1
27.	660-168	Knee Press Pad .....	1
28.	671F69	Elbow Fitting .....	1/2
29.	67B38	Tubing .....	1/2
30.	671F82C	Elbow Fitting, for TC4 .....	1

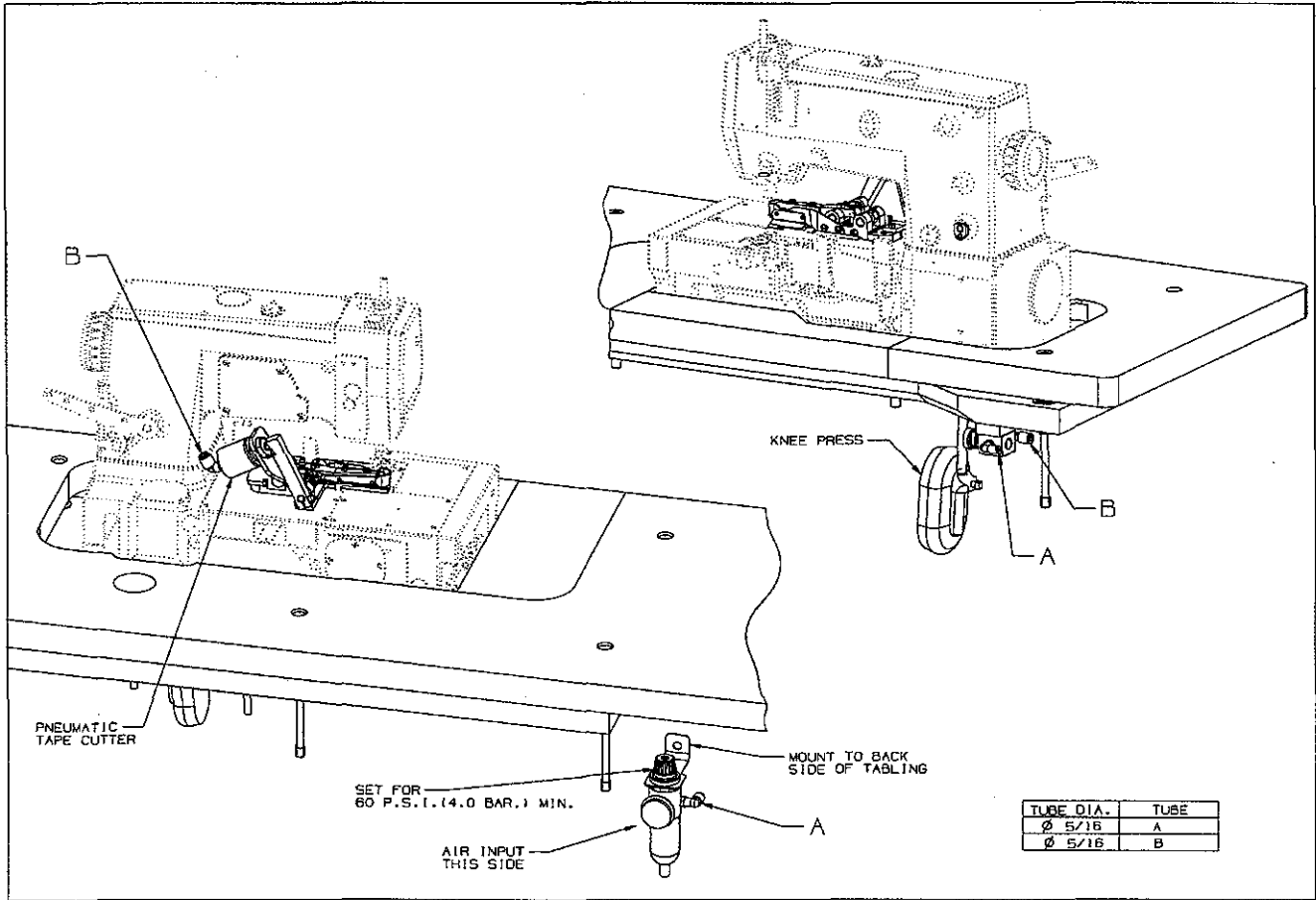




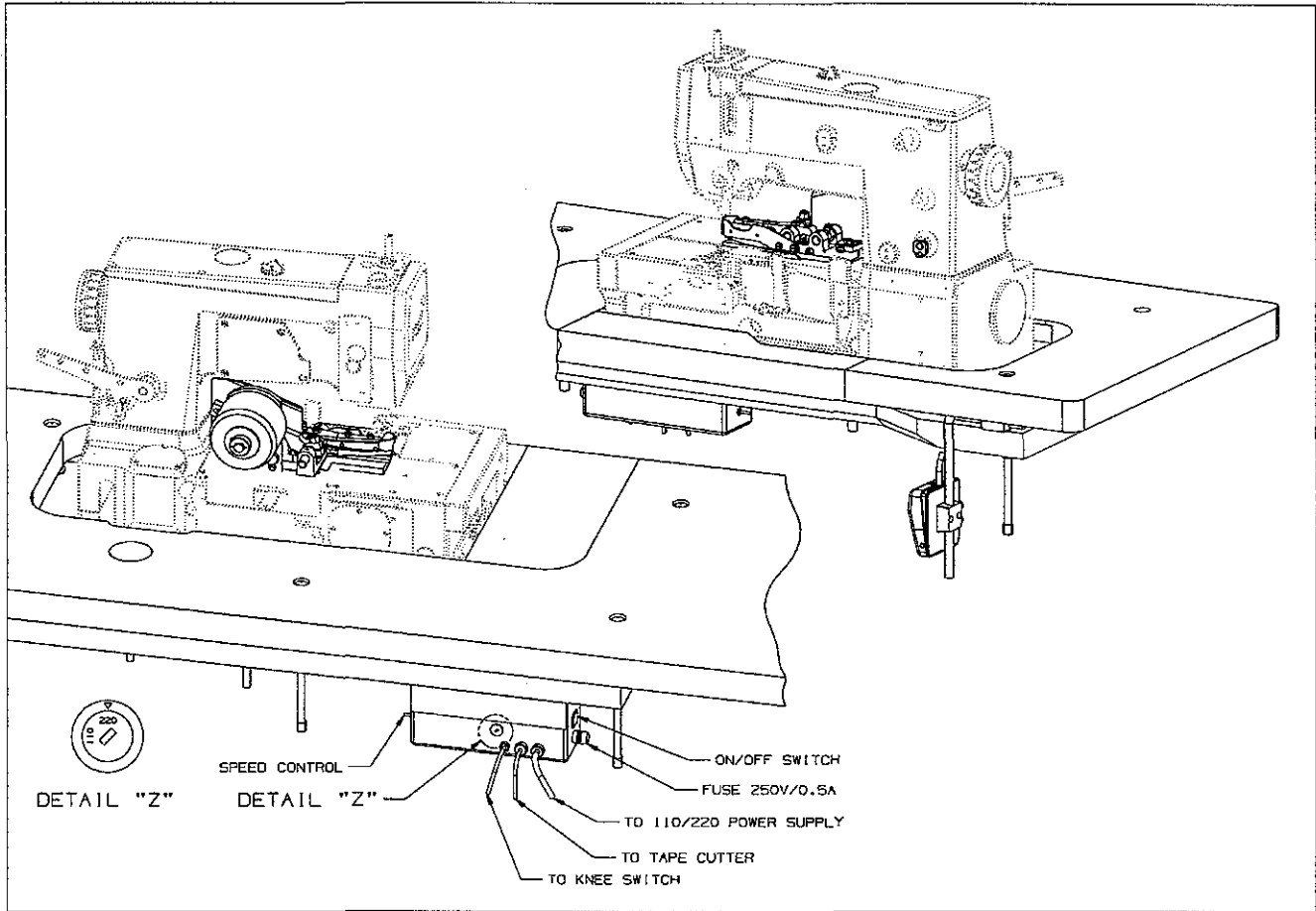
## TC3 ELECTRIC CONTROLS

Ref. No.	Part No.	Description	Amt. Req.
1.	670L41	Control Box .....	1
2.	660-870	Bundling Strap.....	6
3.	RM2871B	Cable Tie.....	6
4.	998-338A	Knee Press.....	1
5.	998-387M	Plug.....	1
6.	998-147C	Holder Rod.....	1
7.	998-147D	Clamp .....	1
8.	90561Q	Wood Screw .....	1

# TC2 TUBING



# TC3 TUBING



# TC4 TUBING

