

UNION SPECIAL CORPORATION

Catalog No. T131 A
(Supplement to Catalog No. 131 M)

STYLES OF MACHINES

Advanced High Speed, Two Needle, One Looper, Plain Feed Flat Bed Machines, Medium Throw, Needle Bearing Needle Bar Drive, Light Weight Presser Bar and Needle Bar Driving Mechanism, Single Reservoir, Enclosed Positive Automatic Lubricating System, Filtered Oil Return Pumps for Head and Base, Needle Bearings and Bronze Bearings for Feed Bar and Feed Rocker Shafts, Greased and Sealed, Lateral Looper Travel, Single Disc Take-up, Larger Handwheel and Improved Belt Guard. Prepared for use with Knee Press for Presser Foot Lifter, Equipped with Rotary Thread Tensions, Maximum Work Space to Right of Needle Bar 8 1/4 Inches.

57700 A For making belt loops for men's trousers and similar operations on medium to medium heavy weight materials. No attachments furnished. Prepared to be sent to Joseph Galkin Corp. for fitting of Galkin front trimmer with or without rear cut-o-meter. Seam Spec. 406-EFh-1, Type 126 GS needle. Standard gauges Nos. 12 and 16. Maximum recommended speed 2000 R. P. M. (due to Galkin Front Trimmer and Rear Cut-O-Meter).

57700 K For making belt loops for trousers and similar operations on medium to medium heavy weight materials. Seam Spec. 406-EFh-1, Type 126 GS needle. Standard gauges Nos. 12 and 16. Maximum recommended speed 6000 R. P. M.

APPLICATION OF CATALOG

This catalog is a supplement to Catalog No. 131 M and should be used in conjunction therewith. Only the parts found on Style 57700 A and K, but not on Style 57700 L are illustrated. On the back is an illustration identifying the parts by reference number and on the top of the page, the part numbers and descriptions identifies the part. Any part that is a component of another part is indicated by indenting its description under the description of the assembly or base part. Always use the part number in the second column, never use the reference number in the first column when ordering repair parts.

IDENTIFYING PARTS

Where construction permits, each UNION SPECIAL part is stamped with its catalog part number. A part too small for its complete catalog stamping is identified by a letter symbol which distinguishes it from another part similar in appearance.

Each part number represents the same part, regardless of the catalog in which it appears.

IMPORTANT! ON ALL ORDERS, PLEASE INCLUDE PART NUMBER AND STYLE OF MACHINE FOR WHICH PART IS ORDERED.

TERMS

Prices are strictly net cash and are subject to change without notice. All shipments are forwarded f. o. b. shipping point. Parcel Post shipments are insured unless otherwise directed. A charge is made to cover the postage and insurance.

NEEDLES

Needle Type 126 GS is recommended for Styles 57700 A and K. The description and sizes available are as follows:

126 GS Round shank, round point, short, double groove, struck groove, ball eye, chromium plated and is available in sizes 080/032, 100/040, 110/040, 054.

ASSEMBLING AND ADJUSTING SEWING PARTS

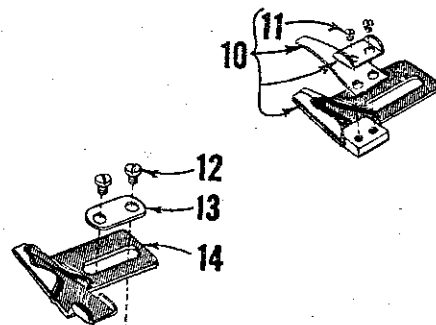
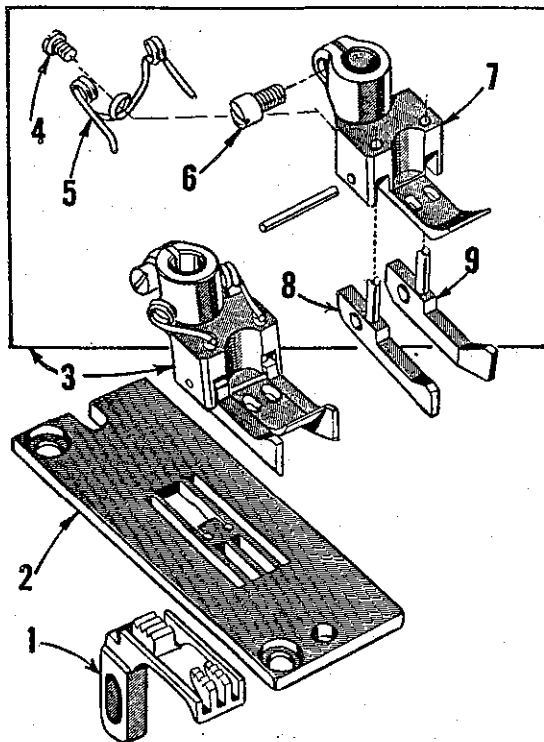
All of the adjusting instructions for Style 57700 L are applicable for Styles 57700 A and K, except use Needle 126 GS in place of Type 128 GAS.

The parts illustrated and described below, represent the parts that are used on Styles 57700 A and K, but not used on Style 57700 L.

Use Catalog No. 131 M (Style 57700 L) for all parts not illustrated or described in this catalog.

Reference numbers that are inside a bracket or box on the picture plate and have indented descriptions indicate they are component parts of a complete part or assembly.

Ref. No.	Part No.	Description	Amt. Req.
1	6905 H-12	Feed Dog, 16 teeth per inch, for No. 12 gauge	1
	6905 H-16	Feed Dog, 16 teeth per inch, for No. 16 gauge	1
2	52724 A-12	Throat Plate, for No. 12 gauge	1
	52724 A-16	Throat Plate, for No. 16 gauge	1
3	6920 A-12	Presser Foot, for No. 12 gauge	1
	6920 A-16	Presser Foot, for No. 16 gauge	1
4	605	Screw, for spring	1
5	11940	Spring, for yielding section	1
6	91	Clamp Screw, for shank	1
7	6930 A-12	Presser Foot Bottom, for No. 6920 A-12	1
	6930 A-16	Presser Foot Bottom, for No. 6920 A-16	1
8	6942 A	Yielding Section, left	1
9	6941 A	Yielding Section, right	1
10	23254	Folder, for 3/8 inch belt loop, uses 7/8 inch wide strip, for No. 16 gauge, Style 57700 K	1
11	22561	Screw	2
12	25 C	Screw, for folder	2
13	23425 V	Washer Plate, for folder	1
14	23254 C	Folder, for 1/4 inch belt loop, uses 11/16 inch wide, strip, for No. 12 gauge Style 57700 K	1



Printed in U. S. A.

UNION SPECIAL CORPORATION
Chicago, Illinois 60610
January, 1976