



Catalog No. T102 R  
(Supplement to Catalog No. 102 L)

### STYLE OF MACHINE

Streamlined, Flat Bed, High Throw, Independent Row, Four Needles Abreast Unequally Spaced, Light Weight Presser Bar Mechanism, Light Weight Needle Bar Drive Mechanism, Close-Coupled Puller With Clutch in Upper Feed Roller, Compensating Lower Feed Roller, Double Locked Stitch, Type 401. Loopers in Line With Feed, Loper Throw-out for Simplified Threading, Automatic Enclosed Type Oiling System, Filter Type Oil Return Pump, Oil Pan Base Plate and Head Oil Siphon Assembly.

54200 KA-4 For banding denim dungarees and overalls. Right angle folder. Standard gauges Nos. 12-56-12, 16-64-16. Seam Type BSc-4. Maximum recommended speed 4800 R.P.M.

### APPLICATION OF CATALOG

This catalog is a supplement to Catalog No. 102 L and should be used in conjunction therewith. Only the parts found on Style 54200 KA, but not on Style 54200 K are illustrated. On the back is an illustration identifying parts by reference number and on the opposite page, the part numbers and descriptions identify the part. Any part that is a component of another part is indicated by indenting its description under the description of the assembly or base part. Always use the part number in the second column, never use the reference number in the first column when ordering repair parts.

### IDENTIFYING PARTS

Where construction permits, each UNION SPECIAL part is stamped with its catalog part number. A part too small for its complete catalog stamping is identified by a letter symbol which distinguishes it from another part similar in appearance.

Each part number represents the same part, regardless of the catalog in which it appears.

**IMPORTANT! ON ALL ORDERS, PLEASE INCLUDE PART NUMBER AND STYLE OF MACHINE FOR WHICH PART IS ORDERED.**

### TERMS

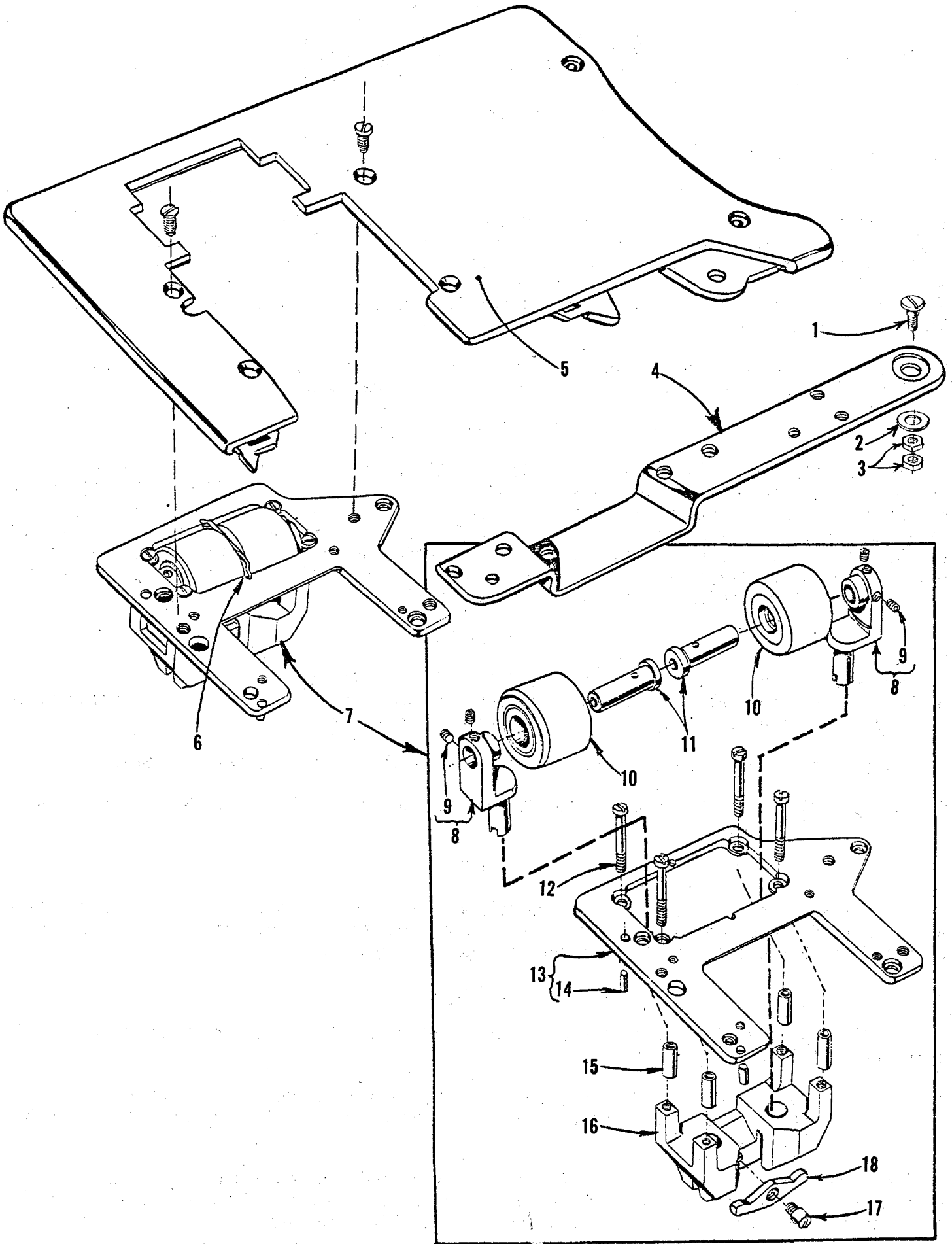
Prices are strictly net cash and are subject to change without notice. All shipments are forwarded f.o.b. shipping point. Parcel Post shipments are insured unless otherwise directed. A charge is made to cover the postage and insurance.

### NEEDLES

Needle Type 113 GS is recommended for Style 54200 KA. The description and sizes available are as follows:

113 GS Round shank, round point, extra short, double groove, spiral groove, struck groove, ball eye, spotted, chromium plated - sizes 075/029, 080/032, 090/036, 100/040, 110/044, 125/049, 140/054.

To have needle orders promptly and accurately filled, an empty package, a sample needle or the type and size number should be forwarded. Use description on label. A complete order would read: "1000 needles, type 113 GS, Size 110/044".



From the library of: Diamond Needle Corp

The parts illustrated on the preceding page and described below, represent the parts that are used on Style 54200 KA, but not used on Style 54200 K.

Use Catalog No. 102 L (Style 54200 K) for all parts not illustrated or described in this catalog.

Reference numbers that are inside a bracket or box on the picture plate and have indented descriptions, indicate they are component parts of a complete part or assembly.

<u>Ref. No.</u>	<u>Part No.</u>	<u>Description</u>	<u>Amt. Req.</u>
1	22504 A	Pivot Screw-----	1
2	28577	Washer-----	1
3	9937	Nut -----	2
4	54264 F	Folder Mounting Bracket-----	1
5	54201 E	Cloth Plate -----	1
6	51876 F	Lower Roller Stripper Wire -----	1
7	29476 MG	Throat Plate Support and Lower Roller Assembly-----	1
8	51876 A	Roller Shank -----	2
9	22894 W	Set Screw-----	2
10	51876	Lower Feed Roller, rubber-----	2
11	51876 B	Roller Stud -----	2
12	22592 A	Screw, for roller shank housing -----	4
13	54280 B	Throat Plate Support -----	1
14	51280 J	Dowel Pin -----	2
15	51876 E	Spacer Bushing -----	4
16	59276 A	Roller Shank Housing -----	1
17	22845 M	Screw Stud-----	1
18	51876 D	Roller Shank Rocker -----	1



*Union Special*<sup>®</sup>  
INDUSTRIAL SEWING MACHINES

UNION SPECIAL maintains sales and service facilities throughout the world. These offices will aid you in the selection of the right sewing equipment for your particular operation. Union Special representatives and service men are factory trained and are able to serve your needs promptly and efficiently. Whatever your location, there is a Union Special Representative to serve you. Check with him today.

**ATLANTA, GA.**

**BOSTON, MASS.**

**CHICAGO, ILL.**

**DALLAS, TEXAS**

**LOS ANGELES, CAL.**

**NEW YORK, N. Y.**

**PHILADELPHIA, PA.**

**MONTREAL, CANADA**

**TORONTO, CANADA**

**BRUSSELS, BELGIUM**

**LEICESTER, ENGLAND**

**LONDON, ENGLAND**

**PARIS, FRANCE**

**STUTT GART, GERMANY**

**Representatives and distributors in all important  
industrial cities throughout the world.**

**UNION SPECIAL CORPORATION**  
**400 N. FRANKLIN ST., CHICAGO, ILL. 60610**