

# ILLUSTRATED PARTS LIST

FOR

# **SINGER**<sup>®</sup>

MACHINES

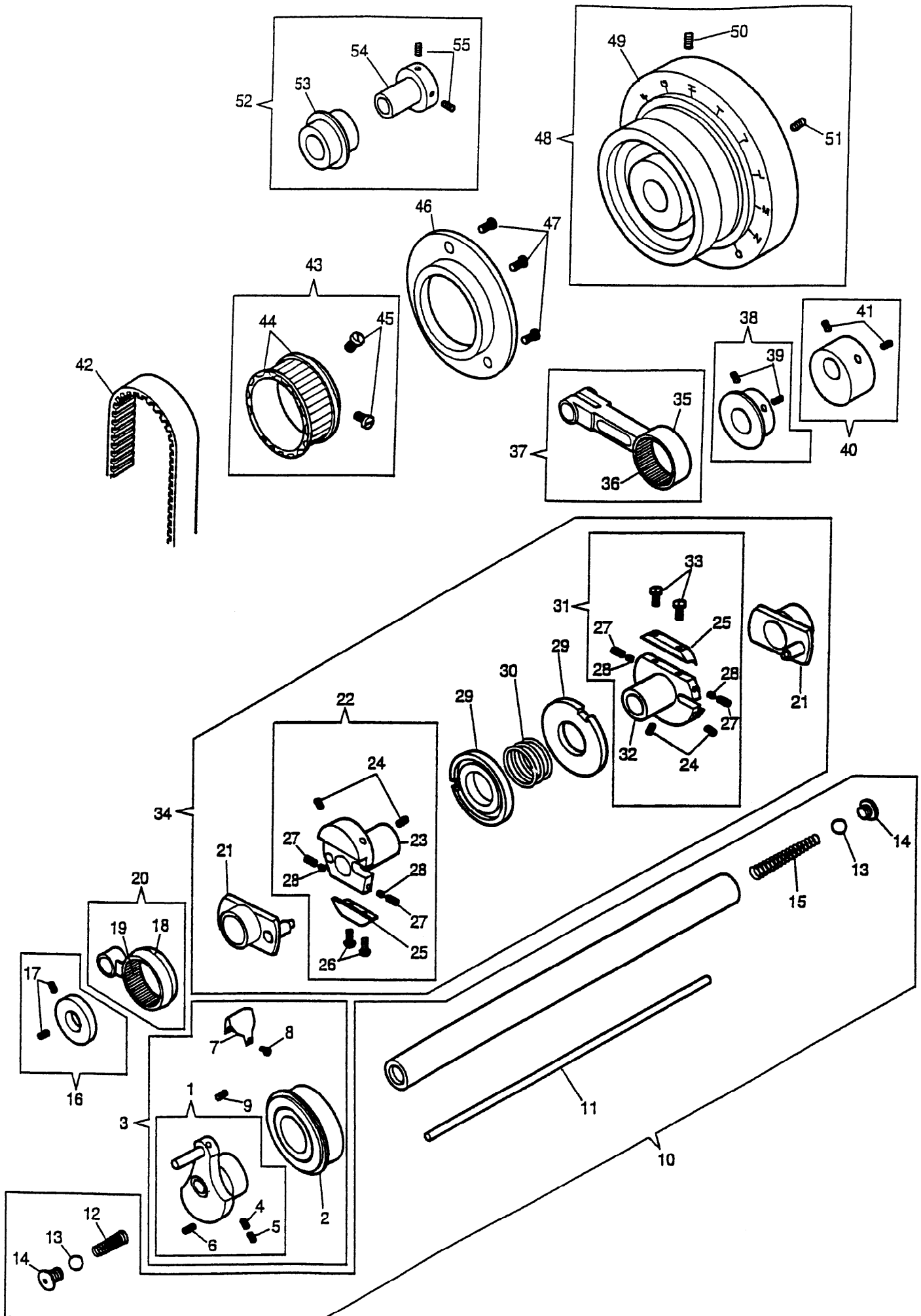
300U194A

From the library of: Diamond Needle Corp

® Singer is a registered trademark of The Singer Company Ltd or its affiliates.

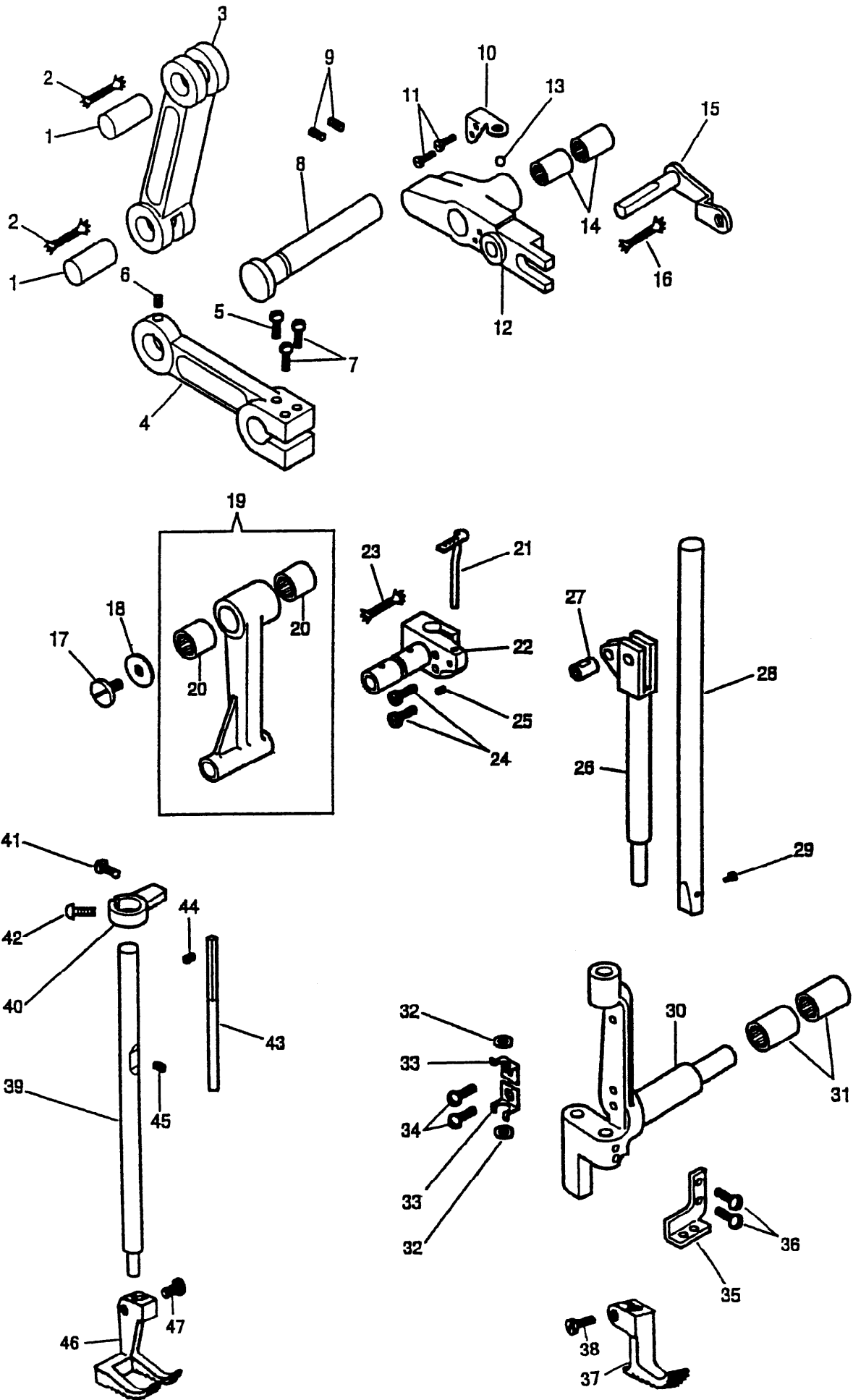
Copyright © 2005 The Singer Company Limited

# UPPER SHAFT ASSEMBLY



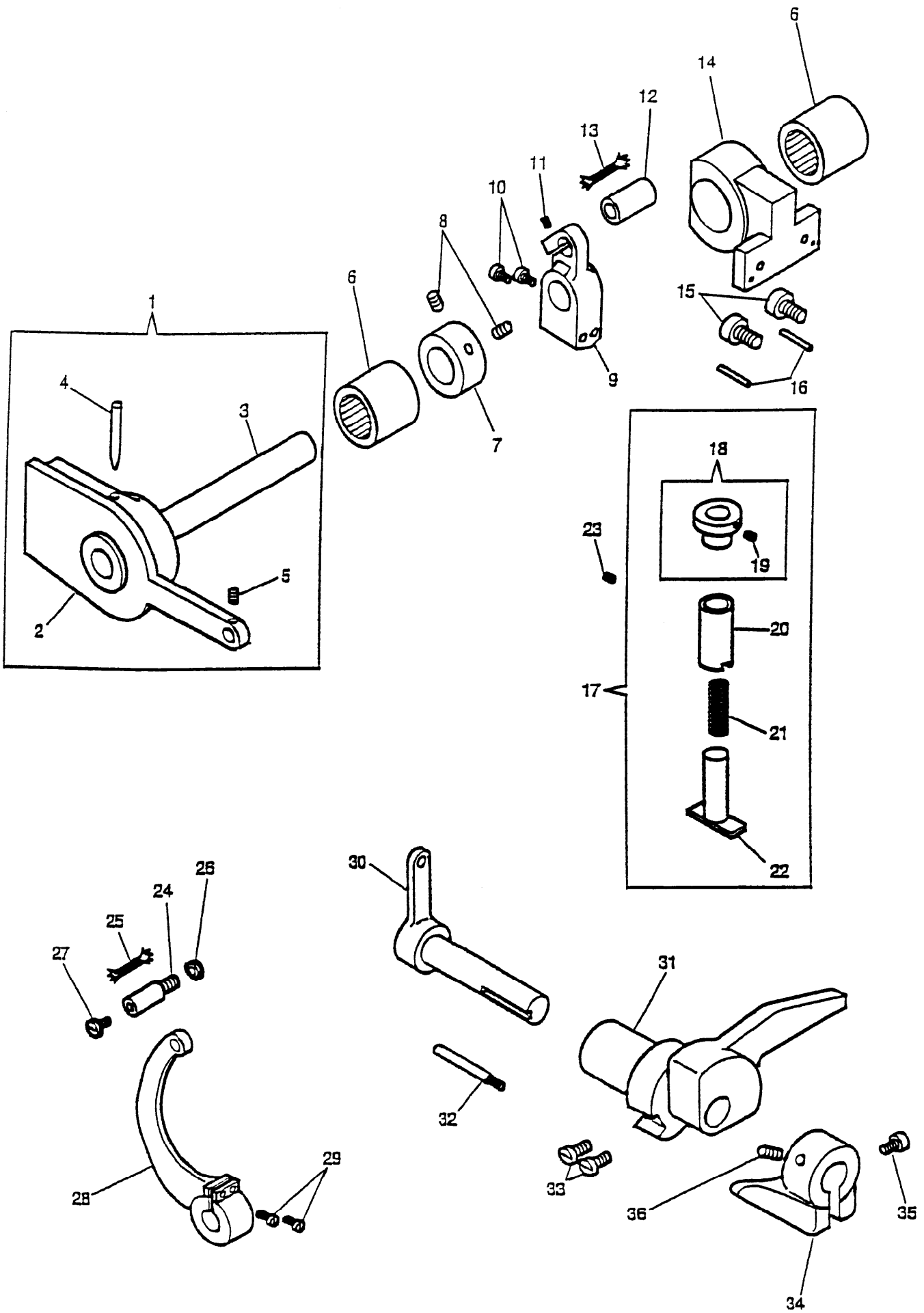
NO.	PART NO.	DESCRIPTION
1	K415138	NEEDLE BAR CRANK WITH K500272-833, K544358 AND K549024
2	K32848	ARM SHAFT BALL BEARING (FRONT)
3	K281239	NEEDLE BAR CRANK COMPLETE, NOS. K415138 AND K32848
4	K549024	NEEDLE BAR CRANK POSITION SCREW
5	K544358	NEEDLE BAR CRANK POSITION SCREW CHECK SCREW
6	K500272 -833	NEEDLE BAR CRANK SET SCREW
7	K281206	NEEDLE BAR CRANK COVER
8	K545205 -451	NEEDLE BAR CRANK COVER SCREW (2)
9	K281258	NEEDLE BAR CRANK OIL PACKING (WICK)
10	K415128	ARM SHAFT WITH K268009, K268044, K268264, TWO EACH K268214 AND K414578
11	K268264	ARM SHAFT OIL CONTROL ROD (WOOD)
12	K268009	ARM SHAFT OIL STOP BALL SPRING (FRONT)
13	K268214	ARM SHAFT OIL STOP BALL 5/32 IN. DIA. (2)
14	K414578	ARM SHAFT OIL STOP BALL SCREW (2)
15	K268044	ARM SHAFT OIL STOP BALL SPRING (REAR)
16	K415308	LIFTING ECCENTRIC SPACING COLLAR WITH TWO K414529
17	K414529	NEEDLE BAR ROCK FRAME DRIVING ECCENTRIC SPACING COLLAR SET SCREW (2)
18	K267608	NEEDLE BAR ROCK FRAME DRIVING CONNECTION
19	K271055	NEEDLE BAR ROCK FRAME DRIVING CONNECTION NEEDLE BEARING
20	K267609	NEEDLE BAR ROCK FRAME DRIVING CONNECTION K267608 WITH K271055
21	K267610	NEEDLE BAR ROCK FRAME DRIVING ECCENTRIC
21	K267610	LIFTING ECCENTRIC
22	K415078	NEEDLE BAR ROCK FRAME DRIVING ECCENTRIC FLANGE K415079 WITH K267623 AND TWO EACH K241763, K414555, K414557 AND K374098
23	K415079	NEEDLE BAR ROCK FRAME DRIVING ECCENTRIC FLANGE
24	K414555	NEEDLE BAR ROCK FRAME DRIVING ECCENTRIC FLANGE SET SCREW (2)
24	K414555	LIFTING ECCENTRIC FLANGE SET SCREW (2)
25	K267623	NEEDLE BAR ROCK FRAME DRIVING ECCENTRIC FRICTION PLATE
25	K267623	LIFTING ECCENTRIC FRICTION PLATE
26	K374098	NEEDLE BAR ROCK FRAME DRIVING ECCENTRIC FRICTION PLATE SCREW (2)
27	K414557	NEEDLE BAR ROCK FRAME DRIVING ECCENTRIC FRICTION PLATE SCREW SET SCREW (2)
27	K414557	LIFTING ECCENTRIC FRICTION PLATE SCREW SET SCREW (2)
28	K241763	NEEDLE BAR ROCK FRAME DRIVING ECCENTRIC FRICTION PLATE SCREW SET SCREW PACKING (BACK) (2)
28	K241763	LIFTING ECCENTRIC FRICTION PLATE SCREW SET SCREW PACKING
29	K268065	NEEDLE BAR ROCK FRAME DRIVING ECCENTRIC ADJUSTING DISC
29	K268065	LIFTING ECCENTRIC ADJUSTING DISC
30	K267617	LIFTING ECCENTRIC ADJUSTING DISC SPRING
31	K415076	LIFTING ECCENTRIC FLANGE K415077 WITH K267623 AND TWO EACH K241763, K414555, K414557 AND K544286
32	K415077	LIFTING ECCENTRIC FLANGE
33	K544286	LIFTING ECCENTRIC FLANGE FRICTION PLATE SCREW (2)
34	K415081	LIFTING ECCENTRIC AND NEEDLE BAR ROCK FRAME DRIVING ECCENTRIC COMPLETE, NOS. K267618, K415076, K415078 AND TWO EACH K267610, K268065
35	K268490	LIFTING ECCENTRIC CONNECTION
36	K271055	LIFTING ECCENTRIC CONNECTION NEEDLE BEARING
37	K268491	LIFTING ECCENTRIC CONNECTION WITH K271055
38	K415086	LIFTING ECCENTRIC SPACING COLLAR WITH TWO K414529
39	K414529	LIFTING ECCENTRIC SPACING COLLAR SET SCREW (2)
40	K281256	COUNTERBALANCE WITH TWO K544208-005
41	K544208 -005	COUNTERBALANCE SET SCREW (2)
42	K268270	ARM SHAFT CONNECTION BELT (REINFORCED NEOPRENE)
43	K281290	ARM SHAFT CONNECTION BELT PULLEY WITH TWO EACH K414546 AND K202253
44	K202253	ARM SHAFT CONNECTION BELT PULLEY SPRING FLANGE (2)
45	K414546	ARM SHAFT CONNECTION BELT PULLEY SET SCREW (2)
46	K268004 -451	ARM SHAFT BALL BEARING (BACK) HOUSING
47	K544336	ARM SHAFT BALL BEARING (BACK) HOUSING SCREW (3)
48	K281296 -467	MACHINE PULLEY WITH K414525 AND K414526
49	K281297 -467	MACHINE PULLEY
50	K414525	MACHINE PULLEY SET SCREW
51	K414526	MACHINE PULLEY POSITION SCREW
52	K281294	ARM SHAFT THRUST COLLAR WITH K272142, K281295-001 AND TWO K544209-005
53	K272142	ARM SHAFT BALL BEARING (BACK)
54	K281295 -001	ARM SHAFT THRUST COLLAR
55	K544209 -005	ARM SHAFT THRUST COLLAR SET SCREW (2)

# FRONT ASSEMBLY SEWING ARM



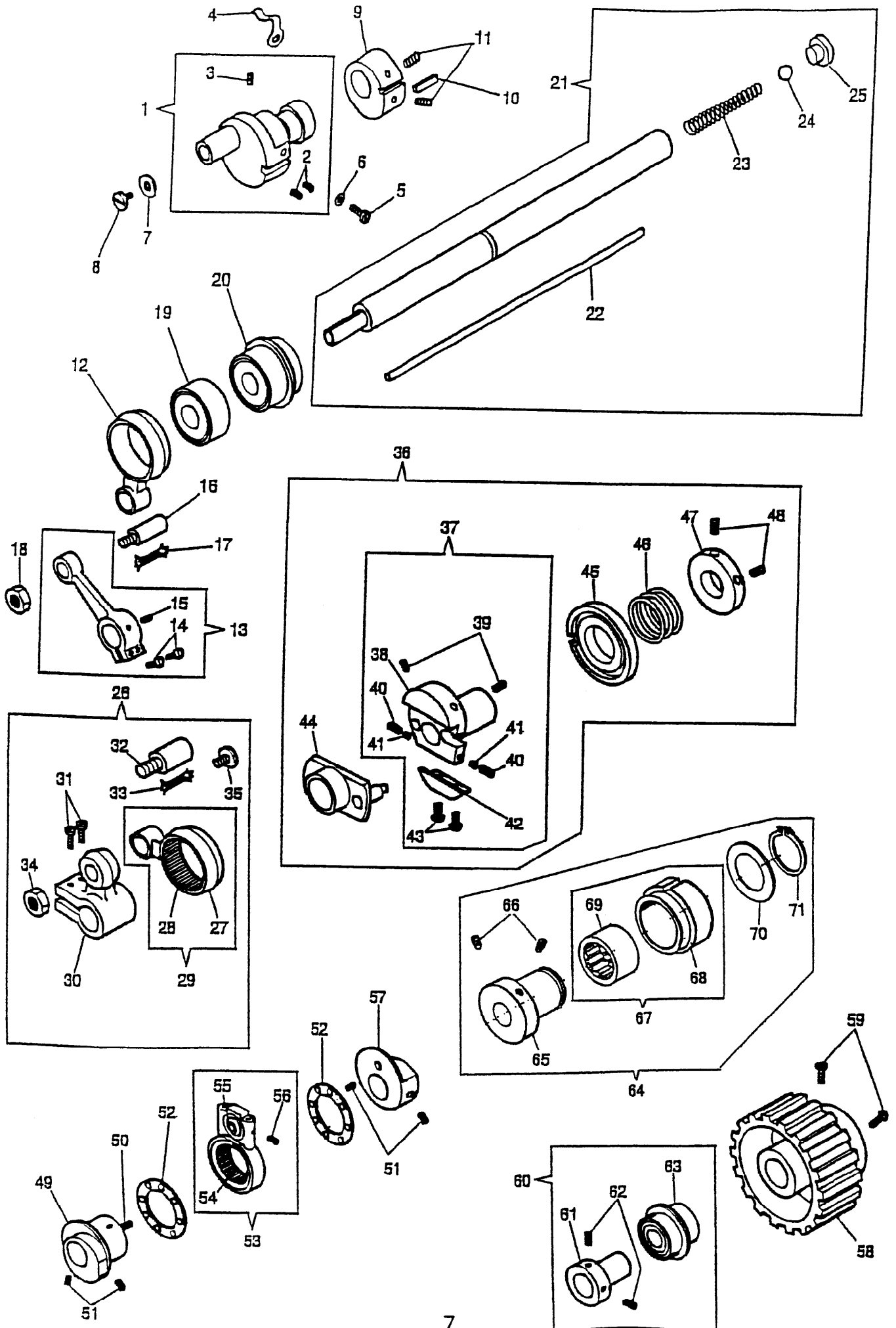
NO.	PART NO.	DESCRIPTION
1	K267617	LIFTING ECCENTRIC CONNECTION HINGE PIN WITH K268258
1	K267617	LIFTING LINK HINGE PIN WITH K268258
2	K268258	LIFTING ECCENTRIC CONNECTION HINGE PIN OIL PACKING (WICK)
2	K268258	LIFTING LINK HINGE PIN OIL PACKING (WICK)
3	K267627	LIFTING LINK
4	K415061	LIFTING CRANK WITH K141424, K141338 AND TWO K414511
5	K141338	LIFTING CRANK SET SCREW
6	K141424	LIFTING LINK HINGE PIN SET SCREW
7	K414511	LIFTING CRANK PINCH SCREW (2)
8	K267626	LIFTING LEVER HINGE STUD
9	K544322	LIFTING LEVER HINGE STUD SET SCREW (2)
10	K267718	PRESSER BAR SPRING ARM BALL RETAINER
11	K414548	PRESSER BAR SPRING ARM BALL RETAINER SCREW (2)
12	K415067	LIFTING LEVER WITH TWO KE0008
13	K276025	PRESSER BAR SPRING ARM BALL
14	KE0008	LIFTING LEVER BUSHING (2)
15	K267631	LIFTING PRESSER BAR LIFTING CRANK WITH K268258
16	K268258	LIFTING PRESSER BAR LIFTING CRANK OIL PACKING (WICK)
17	K414517	NEEDLE BAR CONNECTING LINK CAP WASHER SCREW
18	K268139	NEEDLE BAR CONNECTING LINK CAP WASHER
19	K268056	NEEDLE BAR CONNECTING LINK WITH TWO K270266
20	K270266	NEEDLE BAR CONNECTING LINK NEEDLE BEARING (2)
21	K268512	NEEDLE THREAD GUIDE (ON NEEDLE BAR CONNECTING STUD)
22	K415053	NEEDLE BAR CONNECTING STUD WITH K202330, K414545 AND TWO K414511
23	K202330	NEEDLE BAR CONNECTING STUD OIL PACKING (WICK)
24	K414511	NEEDLE BAR CONNECTING STUD PINCH SCREW (2)
25	K414545	NEEDLE THREAD GUIDE (ON NEEDLE BAR CONNECTING STUD) SET SCREW
26	K267657	VIBRATING PRESSER BAR
27	K267658	VIBRATING PRESSER BAR HINGE STUD
28	K281912	NEEDLE BAR
29	K414519	NEEDLE SET SCREW
30	K415045	NEEDLE BAR ROCK FRAME
31	K268029	NEEDLE BAR ROCK FRAME NEEDLE BEARING (2)
32	K268144	NEEDLE BAR OILING FELT (2)
33	K268278	NEEDLE BAR OILING FELT HOLDER (2)
34	K414522	NEEDLE BAR OILING FELT HOLDER SCREW (2)
35	K268219	NEEDLE BAR ROCK FRAME THREAD GUIDE
36	K414539	NEEDLE BAR ROCK FRAME THREAD GUIDE SCREW (2)
37	K267659	VIBRATING PRESSER FOOT
38	K414638	VIBRATING PRESSER FOOT PINCH SCREW
39	K267628	LIFTING PRESSER BAR
40	K415059	LIFTING PRESSER BAR GUIDE BLOCK WITH K414512 AND K414516
41	K414516	LIFTING PRESSER BAR GUIDE BLOCK ADJUSTING SCREW
42	K414512	LIFTING PRESSER BAR GUIDE BLOCK PINCH SCREW
43	K267907	LIFTING PRESSER BAR GUIDE ROD
44	K544301	LIFTING PRESSER BAR GUIDE ROD SET SCREW (UPPER)
45	K414530	LIFTING PRESSER BAR GUIDE ROD SET SCREW (LOWER)
46	K267632	LIFTING PRESSER FOOT
47	K414638	LIFTING PRESSER PINCH SCREW

# EXTERNAL PARTS SEWING ARM



NO.	PART NO.	DESCRIPTION
1	K32789	LIFTING ROCK SHAFT K267633 WITH K32788 AND K548035
2	K32788	LIFTING ROCK SHAFT CRANK WITH K141424
3	K267633	LIFTING ROCK SHAFT
4	K548035	LIFTING ROCK SHAFT CRANK PIN
5	K141424	LIFTING LINK HINGE PIN SET SCREW
6	K267110	LIFTING ROCK SHAFT NEEDLE BEARING (2)
7	K415085	LIFTING ROCK SHAFT COLLAR WITH TWO K504020
8	K504020	LIFTING ROCK SHAFT COLLAR SET SCREW (2)
9	K415069	LIFTING ECCENTRIC CONNECTION CRANK WITH K414543 AND TWO K414509
10	K414509	LIFTING ECCENTRIC CONNECTION CRANK PINCH SCREW (2)
11	K414543	LIFTING ECCENTRIC CONNECTION HINGE PIN PINCH SCREW
12	K267617	LIFTING ECCENTRIC CONNECTION HINGE PIN WITH K268258
13	K268258	LIFTING ECCENTRIC CONNECTION HINGE PIN OIL PACKING (WICK)
14	K415071 -451	LIFTING ROCK SHAFT BRACKET
15	K414504	LIFTING ROCK SHAFT BRACKET SCREW (2)
16	K543841 -001	LIFTING ROCK SHAFT BRACKET POSITION PIN (2)
17	K415098	NEEDLE BAR ROCK FRAME REGULATING STUD COMPLETE, NOS. K214529, K415099, K268148 AND K268149
18	K415099	NEEDLE BAR ROCK FRAME REGULATING STUD CAP WITH K414528
19	K414528	NEEDLE BAR ROCK FRAME REGULATING STUD CAP SET SCREW
20	K268149	NEEDLE BAR ROCK FRAME REGULATING STUD SLEEVE
21	K214529	NEEDLE BAR ROCK FRAME REGULATING STUD SPRING
22	K268148	NEEDLE BAR ROCK FRAME REGULATING STUD
23	K414527	NEEDLE BAR ROCK FRAME REGULATING STUD SLEEVE SET SCREW
24	K415092	NEEDLE BAR ROCK FRAME DRIVING CONNECTION HINGE STUD
25	K268258	NEEDLE BAR ROCK FRAME DRIVING CONNECTION HINGE STUD OIL PACKING (2)
26	K541197	NEEDLE BAR ROCK FRAME DRIVING CONNECTION HINGE STUD NUT
27	K545297	NEEDLE BAR ROCK FRAME DRIVING CONNECTION CAP SCREW
28	K415094 -451	NEEDLE BAR ROCK FRAME DRIVING ARM WITH TWO K414790
29	K414790	NEEDLE BAR ROCK FRAME DRIVING ARM PINCH SCREW (2)
30	K267612	FOOT LIFTER CRANK
31	K281927	PRESSER BAR SPRING ARM FULCRUM
32	K414556	FOOT LIFTER CRANK STOP SCREW STUD
33	K350604	PRESSER BAR SPRING ARM FULCRUM SET SCREW (2)
34	K415122	FOOT LIFTER ARM WITH K414509 AND K545213
35	K414509	FOOT LIFTER ARM PINCH SCREW
36	K545213	FOOT LIFTER ARM SET SCREW

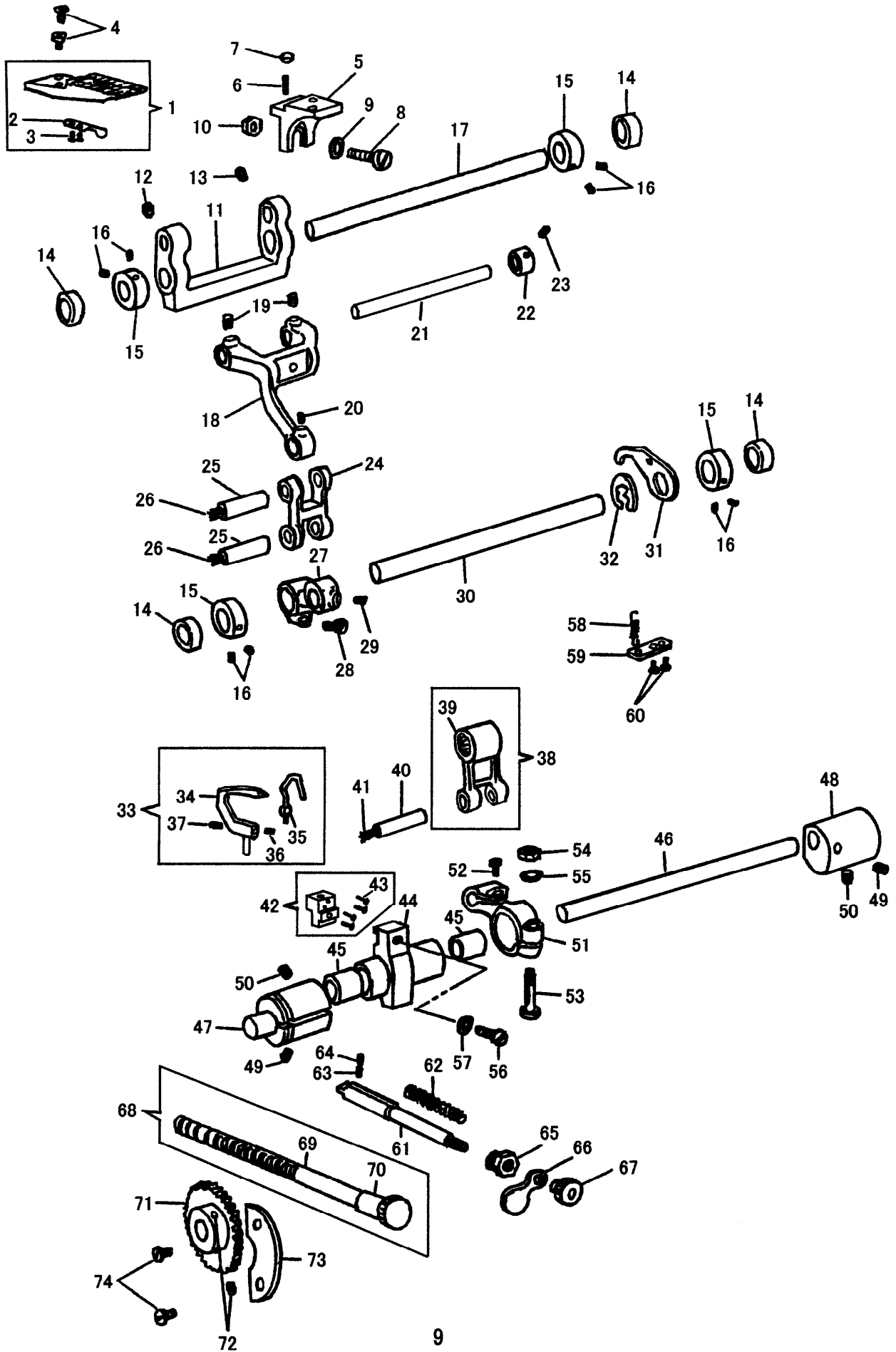
# LOWER SHAFT ASSEMBLY





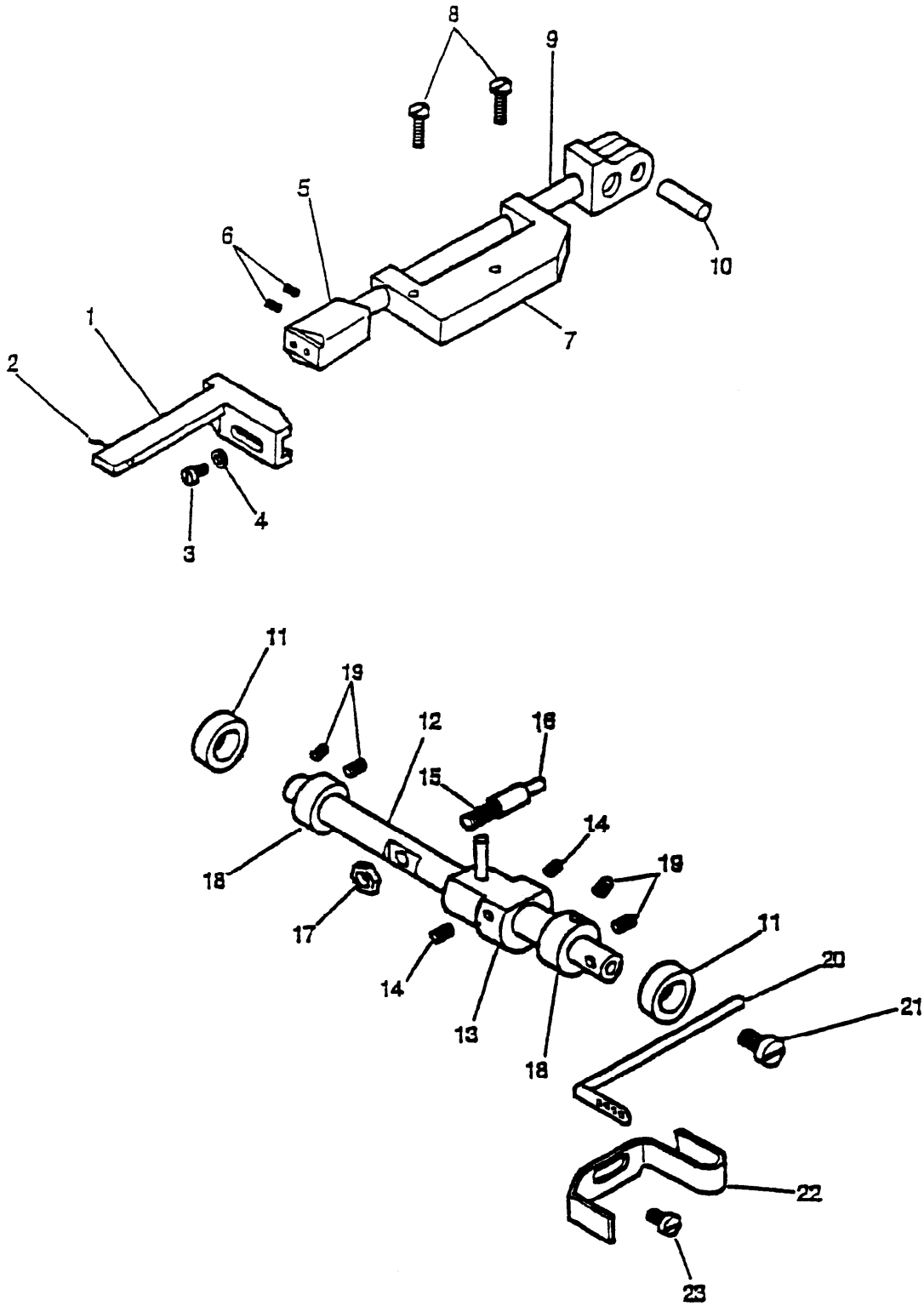
NO.	PART NO.	DESCRIPTION
1	K415176	LOOPER DRIVING CRANK WITH K500264-833 AND TWO K374099
2	K374099	LOOPER DRIVING CRANK POSITION SCREW (2)
3	K500264 -833	LOOPER DRIVING CRANK SET SCREW
4	K268102	LOOPER DRIVING CRANK OIL HOLE COVER
5	K414563	LOOPER DRIVING CRANK OIL HOLE COVER SCREW
6	K204925	LOOPER DRIVING CRANK OIL HOLE COVER SCREW WASHER
7	K418465	LOOPER DRIVING CONNECTION WASHER
8	K544213 -001	LOOPER DRIVING CONNECTION WASHER SCREW
9	K415210	FEED LIFTING ECCENTRIC WITH K268077 AND TWO K544208-005
10	K268077	FEED LIFTING ECCENTRIC LUBRICATING PAD (WOOD)
11	K544208 -005	FEED LIFTING ECCENTRIC SET SCREW (2)
12	K268074	FEED LIFTING CONNECTION
13	K415206	FEED LIFTING ROCK SHAFT CRANK WITH K414549 AND TWO K414511
14	K414511	FEED LIFTING ROCK SHAFT CRANK PINCH SCREW (2)
15	K414549	FEED LIFTING ROCK SHAFT CRANK POSITION SCREW
16	K415092	FEED LIFTING CONNECTION HINGE STUD
17	K268258	FEED LIFTING CONNECTION HINGE STUD OIL PACKING (WICK)
18	K541197	FEED LIFTING CONNECTION HINGE STUD NUT
19	K281216	BED SHAFT BALL BEARING
20	K281224	BED SHAFT BALL BEARING
21	K281212	BED SHAFT WITH K268044, K268214, K268265 AND K414578
22	K268265	BED SHAFT OIL CONTROL ROD (WOOD)
23	K268044	BED SHAFT OIL STOP BALL SPRING
24	K268214	BED SHAFT OIL STOP BALL 5/32 IN. DIA.
25	K414578	BED SHAFT OIL STOP BALL SCREW
26	K415215	FEED DRIVING ROCK SHAFT CRANK K415213 WITH K267609, K415091, K541197 AND K545297
27	K267608	FEED DRIVING CONNECTION
28	K271055	FEED DRIVING CONNECTION NEEDLE BEARING
29	K267609	FEED DRIVING CONNECTION K267608 WITH K271055
30	K415213	FEED DRIVING ROCK SHAFT CRANK WITH TWO K414511
31	K414511	FEED DRIVING ROCK SHAFT CRANK PINCH SCREW (2)
32	K415092	FEED DRIVING CONNECTION HINGE STUD
33	K268258	FEED DRIVING CONNECTION HINGE STUD OIL PACKING (WICK)
34	K541197	FEED DRIVING CONNECTION HINGE STUD NUT
35	K545297	FEED DRIVING CONNECTION CAP SCREW
36	K415082	FEED DRIVING ECCENTRIC COMPLETE, NOS. K268610, K268065, K268066, K412011 AND K415073
37	K415073	
38	K415074	FEED DRIVING ECCENTRIC FLANGE K415074 WITH K267623 AND TWO EACH K241763, K414555, K414557 AND K374098
39	K414555	FEED DRIVING ECCENTRIC FLANGE
40	K414557	FEED DRIVING ECCENTRIC FLANGE SET SCREW (2)
41	K241763	FEED DRIVING ECCENTRIC FRICTION PLATE SCREW SET SCREW PACKING (BRASS) (2)
42	K267623	FEED DRIVING ECCENTRIC FRICTION PLATE
43	K374098	FEED DRIVING ECCENTRIC FRICTION PLATE SCREW (2)
44	K267610	FEED DRIVING ECCENTRIC
45	K268065	FEED DRIVING ECCENTRIC ADJUSTING DISC
46	K268066	FEED DRIVING ECCENTRIC ADJUSTING DISC SPRING
47	K412011	FEED DRIVING ECCENTRIC ADJUSTING DISC SPRING COLLAR WITH TWO K544325
48	K544325	FEED DRIVING ECCENTRIC ADJUSTING DISC SPRING COLLAR SET SCREW (2)
49	K415187	SPREADER DRIVING ECCENTRIC AND K543808-002 WITH TWO K414528
50	K543808 -002	SPREADER DRIVING ECCENTRIC PIN
51	K414528	SPREADER DRIVING ECCENTRIC SET SCREW (2)
51	K414528	SPREADER DRIVING ECCENTRIC COUNTERBALANCE SET SCREW (2)
52	K268220	SPREADER DRIVING ECCENTRIC THRUST WASHER (2)
53	K281246	SPREADER DRIVING CONNECTION WITH K415368, K281248 AND K544201-001
54	K415368	SPREADER DRIVING CONNECTION NEEDLE BEARING
55	K281248	SPREADER DRIVING ROCK SHAFT SCREW STUD BALL ROLLER
56	K544203 -001	SPREADER DRIVING ROCK SHAFT SCREW STUD BALL ROLLER SET SCREW
57	K415190	SPREADER DRIVING ECCENTRIC COUNTERBALANCE WITH TWO K414528
58	K281292	BED SHAFT CONNECTION BELT PULLEY WITH TWO K414546
59	K414546	BED SHAFT CONNECTION BELT PULLEY SET SCREW (2)
60	K281294	BED SHAFT THRUST COLLAR WITH K281295-001, K272142 AND TWO K544209-005
61	K281295 -001	BED SHAFT THRUST COLLAR
62	K544209 -005	BED SHAFT THRUST COLLAR SET SCREW (2)
63	K272142	BED SHAFT THRUST COLLAR BEARING
64	K22988	ANTI-REVERSING ROLLER CLUTCH COMPLETE, NOS. K22983, K22985, K22986 AND K543802-002
65	K22983	ANTI-REVERSING ROLLER CLUTCH BUSHING WITH TWO K500272-833
66	K500272 -833	ANTI-REVERSING ROLLER CLUTCH BUSHING SET SCREW (2)
67	K22985	ANTI-REVERSING ROLLER CLUTCH HOUSING K22984 WITH K22982
68	K22984	ANTI-REVERSING ROLLER CLUTCH HOUSING
69	K22982	ANTI-REVERSING ROLLER CLUTCH
70	K22986	ANTI-REVERSING ROLLER CLUTCH RETAINING WASHER
71	K543802 -020	ANTI-REVERSING ROLLER CLUTCH RETAINING WASHER RETAINER

# FRONT ASSEMBLY SEWING BED



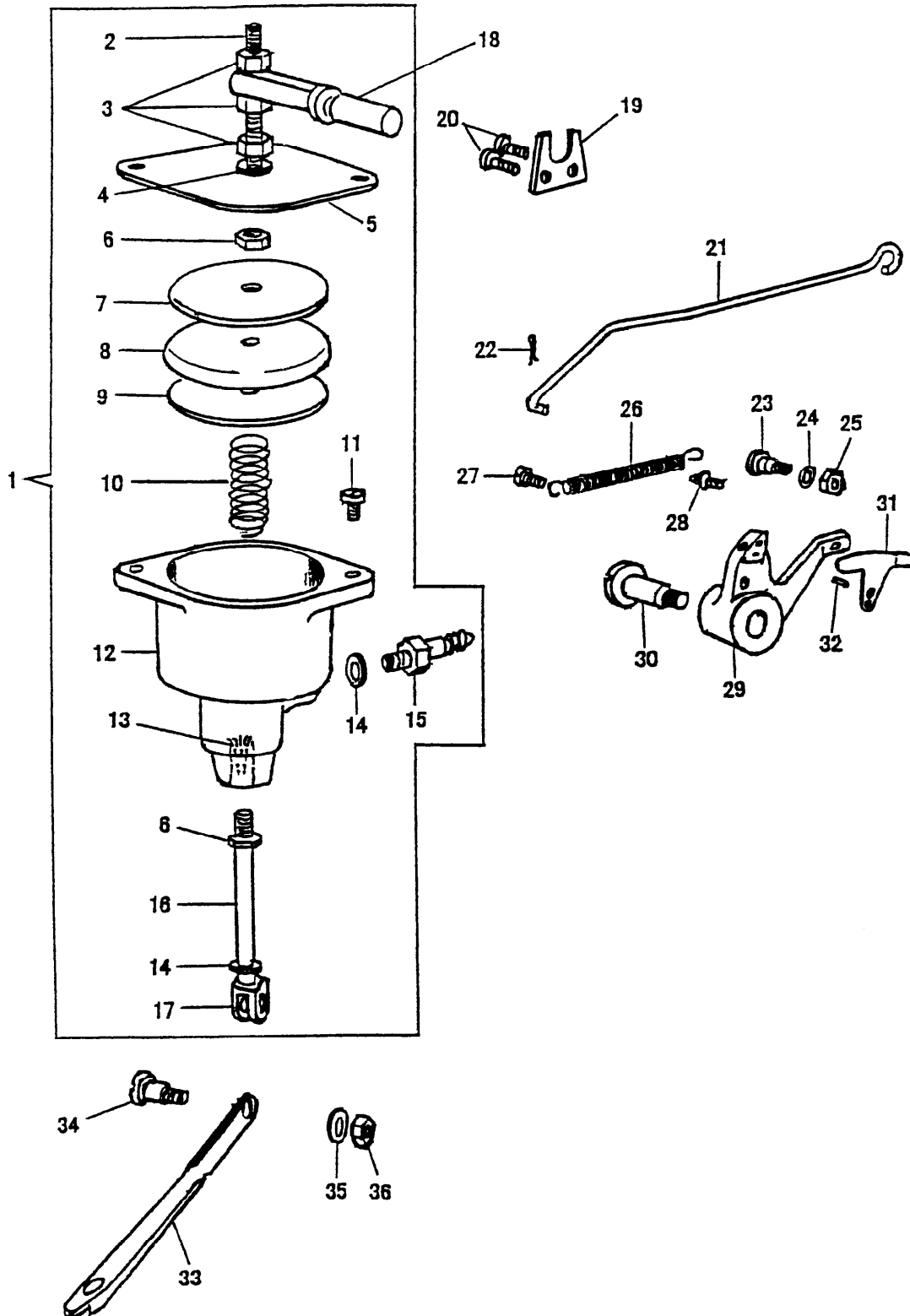
NO.	PART NO.	DESCRIPTION
1	K267664	FEED DOG WITH K267665 AND TWO K229
2	K267665	LOOP DEFLECTOR
3	K229	LOOP DEFLECTOR SCREW (2)
4	K414518	FEED DOG SCREW (2)
5	K415208	FEED DOG SHANK WITH K414559 AND K541200
6	K414559	FEED DOG SHANK ADJUSTING SCREW
7	K541200	FEED DOG SHANK ADJUSTING SCREW LOCK NUT
8	K414520	FEED DOG SHANK SCREW
9	K543804 -004	FEED DOG SHANK SCREW WASHER
10	K545489	FEED DOG SHANK SCREW LOCK NUT
11	K415200	FEED DRIVING ROCK FRAME WITH K500264-833 AND K549024
12	K549024	FEED DRIVING ROCK FRAME POSITION SCREW
13	K500264 -833	FEED DRIVING ROCK FRAME SET SCREW
14	K415297	FEED DRIVING ROCK SHAFT BUSHING (2)
14	K415297	FEED LIFTING ROCK SHAFT BUSHING (2)
15	K415065	FEED DRIVING ROCK SHAFT COLLAR WITH TWO K504020
15	K415065	FEED LIFTING ROCK SHAFT COLLAR WITH TWO K504020
16	K504020	FEED DRIVING ROCK SHAFT COLLAR SET SCREW (4)
16	K504020	FEED LIFTING ROCK SHAFT COLLAR SET SCREW (4)
17	K268070	FEED DRIVING ROCK SHAFT
18	K415198	FEED BAR WITH K545213 AND TWO K544204-001
19	K544204 -001	FEED BAR SET SCREW (2)
20	K545213	FEED LIFTING LINK HINGE PIN SET SCREW
21	K268035	FEED BAR HINGE PIN
22	K415202	FEED BAR HINGE PIN COLLAR WITH K414529
23	K414529	FEED BAR HINGE PIN COLLAR SET SCREW
24	K268078	FEED LIFTING LINK
25	K268079	FEED LIFTING LINK HINGE PIN WITH K268258 (2)
26	K268258	FEED LIFTING LINK HINGE PIN OIL PACKING (WICK) (2)
27	K415204	FEED LIFTING CRANK WITH K414501 AND K545213
28	K414501	FEED LIFTING CRANK PINCH SCREW
29	K545213	FEED LIFTING LINK HINGE PIN SET SCREW
30	K267933	FEED LIFTING ROCK SHAFT
31	K268131	LOOPER THROW-OUT SAFETY LATCH
32	K543801 -012	LOOPER THROW-OUT SAFETY LATCH RETAINING RING
33	K281208	LOOPER AND NEEDLE GUARD COMPLETE, NOS. K281207 AND K268380
34	K268380	LOOPER WITH K141478 AND K141494
35	K281207	NEEDLE GUARD
36	K141494	NEEDLE GUARD SET SCREW (BACK)
37	K141478	NEEDLE GUARD SET SCREW (FRONT)
38	K281223	LOOPER DRIVING CONNECTION WITH K415500
39	K415500	LOOPER DRIVING CONNECTION BUSHING
40	K268208	LOOPER CARRIER CRANK HINGE PIN WITH K268258
41	K268258	LOOPER CARRIER CRANK HINGE PIN OIL PACKING (WICK)
42	K281274	LOOPER HOLDER WITH TWO K414558
43	K414558	LOOPER SET SCREW (2)
44	K281265	LOOPER CARRIER WITH TWO K415500
45	K415500	LOOPER CARRIER BUSHING (2)
46	K268093	LOOPER CARRIER SHAFT
47	K415168	LOOPER CARRIER SHAFT BUSHING (LEFT) WITH K500264-833 AND K549024
48	K415170	LOOPER CARRIER SHAFT BUSHING (RIGHT) WITH K500264-833 AND K549024
49	K549024	LOOPER CARRIER SHAFT BUSHING POSITION SCREW (2)
50	K500264 -833	LOOPER CARRIER SHAFT BUSHING SET SCREW (2)
51	K415174	LOOPER CARRIER CRANK WITH K414516
52	K414516	LOOPER CARRIER CRANK HINGE PIN PINCH SCREW
53	K415292	LOOPER CARRIER CRANK CLAMPING STUD
54	K541198	LOOPER CARRIER CRANK CLAMPING STUD NUT
55	K548459	LOOPER CARRIER CRANK CLAMPING STUD WASHER
56	K414750 -002	LOOPER HOLDER SCREW
57	K543804 -004	LOOPER HOLDER SCREW WASHER
58	K268132	LOOPER THROW-OUT SAFETY LATCH SPRING
59	K268133	LOOPER THROW-OUT SAFETY LATCH SPRING BRACKET
60	K545205 -451	LOOPER THROW-OUT SAFETY LATCH SPRING BRACKET SCREW (2)
61	K415182	LOOPER THROW-OUT GEAR LOCKING PLUNGER
62	K250265	LOOPER THROW-OUT GEAR LOCKING PLUNGER SPRING
63	K414564	LOOPER THROW-OUT GEAR LOCKING PLUNGER STOP SCREW
64	K414528	LOOPER THROW-OUT GEAR LOCKING PLUNGER STOP SCREW SET SCREW
65	K201477	LOOPER THROW-OUT GEAR LOCKING PLUNGER SCREW BUSHING
66	K268313	LOOPER THROW-OUT GEAR LOCKING PLUNGER HANDLE
67	K541453	LOOPER THROW-OUT GEAR LOCKING PLUNGER THUMB NUT
68	K415178	LOOPER THROW-OUT RACK ROD K415179 WITH K541451
69	K415179	LOOPER THROW-OUT RACK ROD
70	K541451	LOOPER THROW-OUT RACK ROD THUMB NUT
71	K415180	LOOPER THROW-OUT GEAR WITH TWO K500264-833
72	K500264 -833	LOOPER THROW-OUT GEAR SET SCREW (2)
73	K268096	LOOPER CARRIER SHAFT BUSHING (LEFT) POSITION PLATE
74	K414515	LOOPER CARRIER SHAFT BUSHING (LEFT) POSITION PLATE SCREW (2)

# CROSS SHAFT IN SEWING BED



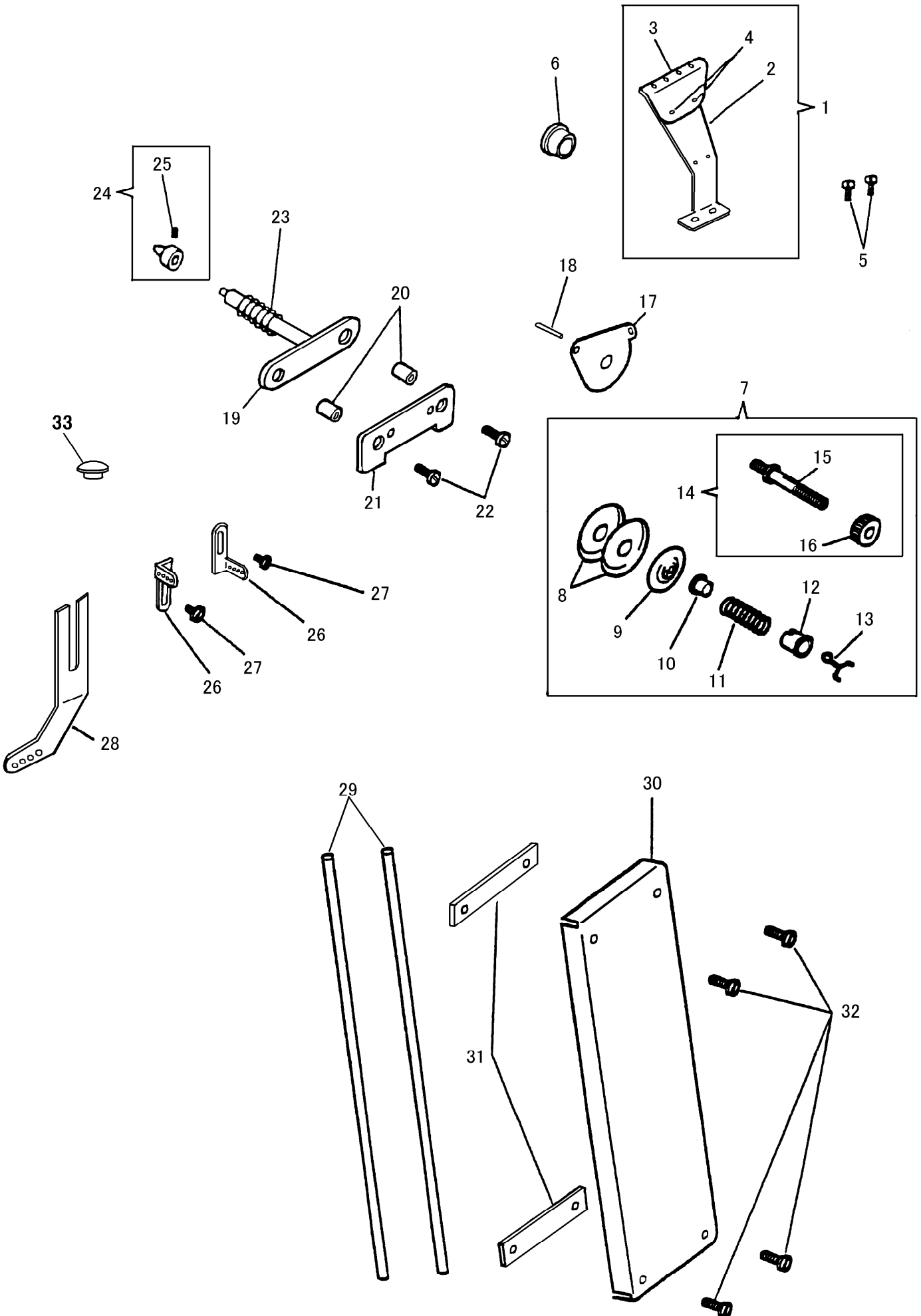
NO.	PART NO.	DESCRIPTION
1	K268638	SPREADER WITH K268162
2	K268162	SPREADER POINT
3	K414552	SPREADER SCREW
4	K547670	SPREADER SCREW WASHER
5	K415196	SPREADER HOLDER WITH TWO K414529
6	K414529	SPREADER HOLDER SET SCREW (2)
7	K268184	SPREADER BAR BRACKET
8	K414524	SPREADER BAR BRACKET SCREW (2)
9	K268499	SPREADER BAR
10	K268190	SPREADER DRIVING PIN
11	K415297	SPREADER DRIVING ROCK SHAFT BUSHING (2)
12	K415389	SPREADER DRIVING ROCK SHAFT WITH K504019
13	K415194	SPREADER DRIVING CRANK WITH TWO K544204-001
14	K544204 -001	SPREADER DRIVING CRANK SET SCREW (2)
15	K281250	SPREADER DRIVING ROCK SHAFT SCREW STUD
16	K32825	SPREADER DRIVING ROCK SHAFT SCREW STUD OIL PACKING (WICK)
17	K545424	SPREADER DRIVING ROCK SHAFT SCREW STUD NUT
18	K415065	SPREADER DRIVING ROCK SHAFT COLLAR WITH TWO K504020 (2)
19	K504020	SPREADER DRIVING ROCK SHAFT COLLAR SET SCREW (4)
20	K268052	LOOPER THREAD TAKE-UP ROD
21	K504019	LOOPER THREAD TAKE-UP ROD SET SCREW
22	K268051	LOOPER THREAD GUIDE (ON FRONT)
23	K414510	LOOPER THREAD GUIDE SCREW

# EXTERNAL PARTS SEWING ARM



NO.	PART NO.	DESCRIPTION
1	K415116 -451	PRESSER BAR PRESSURE CYLINDER COMPLETE, NOS. K548459, K415117-451, K267709, K267711, K415119, K267713, K267716, K415113, K350579, K994778, TWO EACH K51637, K545156, K267645 AND THREE K201746
2	K350579	PRESSER BAR PRESSURE CYLINDER SUPPORT STUD
3	K201746	PRESSER BAR PRESSURE CYLINDER SUPPORT STUD NUT (3)
4	K548459	PRESSER BAR PRESSURE CYLINDER SUPPORT STUD NUT LOCK WASHER
5	K267709	PRESSER BAR PRESSURE CYLINDER CAP
6	K545476	PRESSER BAR PRESSURE CYLINDER PLUNGER NUT (2)
7	K267713	PRESSER BAR PRESSURE CYLINDER PLUNGER WASHER (STEEL)
8	K267712	PRESSER BAR PRESSURE CYLINDER PLUNGER WASHER (LEATHER)
9	K267711	PRESSER BAR PRESSURE CYLINDER PLUNGER DISC
10	K267716	PRESSER BAR SPRING
11	K545156	PRESSER BAR PRESSURE CYLINDER CAP SCREW
12	K415117 -451	PRESSER BAR PRESSURE CYLINDER WITH K267653
13	K267653	PRESSER BAR PRESSURE CYLINDER PLUNGER BUSHING
14	K267645	PRESSER BAR PRESSURE CYLINDER HOSE CONNECTION WASHER (2)
15	K994778	PRESSER BAR PRESSURE CYLINDER HOSE CONNECTION
16	K415119	PRESSER BAR PRESSURE CYLINDER PLUNGER
17	K415113	PRESSER BAR SPRING ARM FORK
18	K267714	PRESSER BAR PRESSURE CYLINDER SUPPORT
19	K267650	PRESSER BAR PRESSURE CYLINDER SUPPORT RETAINER
20	K545205 -451	PRESSER BAR PRESSURE CYLINDER SUPPORT RETAINER SCREW (2)
21	K267704	FOOT LIFTER LEVER ROD
22	K248423	FOOT LIFTER LEVER ROD COTTER PIN
23	K414577	FOOT LIFTER LEVER ROD HINGE SCREW
24	K543804 -004	FOOT LIFTER LEVER ROD HINGE SCREW WASHER
25	K541166 -003	FOOT LIFTER LEVER ROD HINGE SCREW NUT
26	K204348	FOOT LIFTER LEVER SPRING
27	K544336	FOOT LIFTER LEVER SPRING SCREW
28	K414570	FOOT LIFTER LEVER SPRING SCREW EYE
29	K415104 -451	FOOT LIFTER LEVER WITH K543850-001
30	K201363	FOOT LIFTER LEVER HINGE SCREW
31	K267707	NEEDLE THREAD TENSION RELEASING PLATE
32	K543850 -001	NEEDLE THREAD TENSION RELEASING PLATE PIN
33	K267738	PRESSER BAR SPRING ARM
34	K414567	PRESSER BAR SPRING ARM HINGE SCREW
35	K548154	PRESSER BAR SPRING ARM HINGE SCREW WASHER
36	K545405	PRESSER BAR SPRING ARM HINGE SCREW NUT

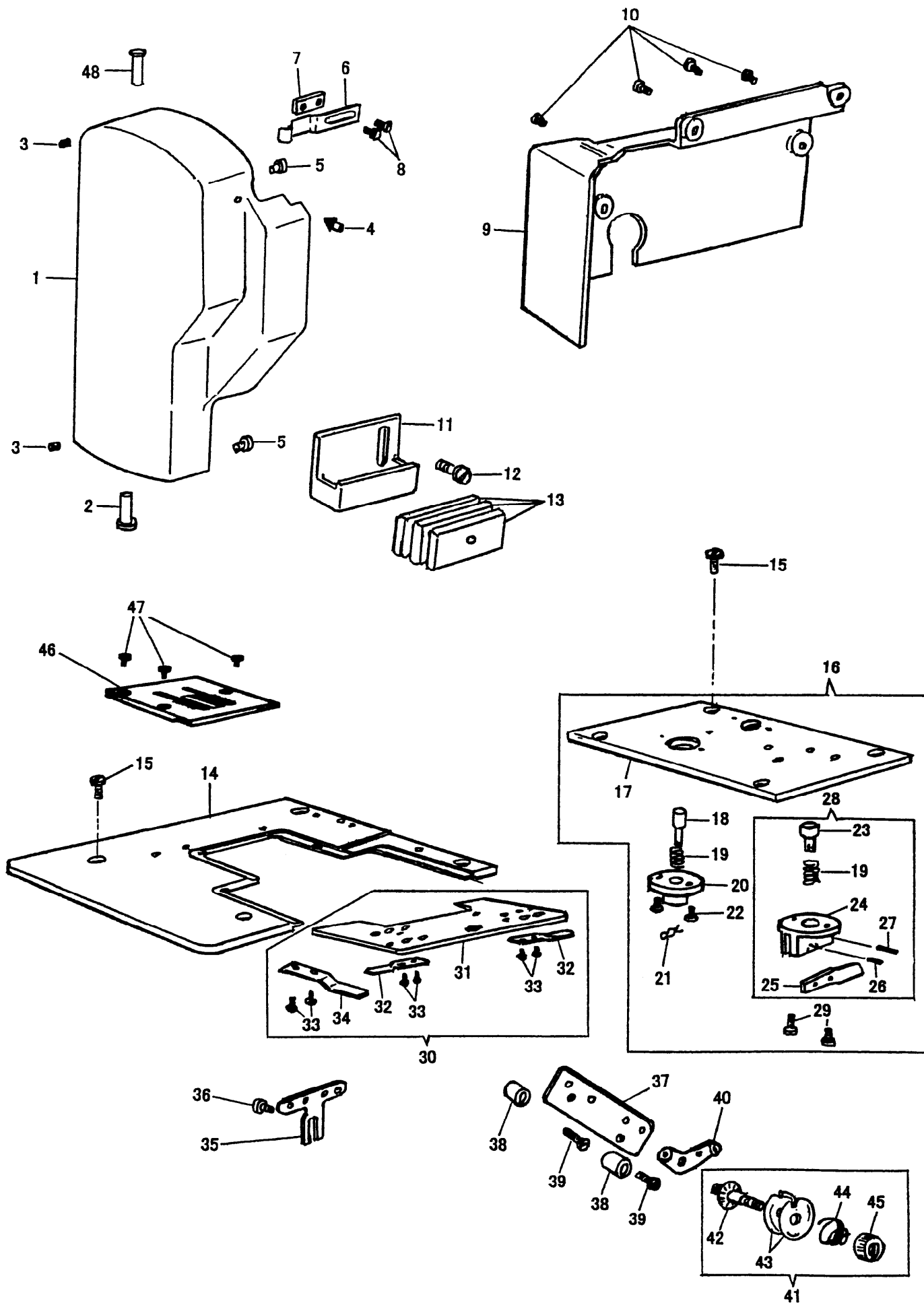
# EXTERNAL PARTS SEWING ARM





NO.	PART NO.	DESCRIPTION
1	K268506	LOOPER THREAD GUIDE (TOP OF ARM) BRACKET K268111 WITH K268505 AND TWO K50169
2	K268111	LOOPER THREAD GUIDE (TOP OF ARM) BRACKET
3	K268505	LOOPER THREAD GUIDE (TOP OF ARM)
4	K50169	LOOPER THREAD GUIDE (TOP OF ARM) BRACKET SCREW (2)
5	K414537	LOOPER THREAD GUIDE (TOP OF ARM) BRACKET SCREW (2)
6	K544875	ARM PLUG (2)
7	K267971	NEEDLE THREAD TENSION COMPLETE, NOS. K32572, K59538, K59539, K131741, K143657, K143658 AND TWO K2102
8	K2102	NEEDLE THREAD TENSION DISC (2)
9	K32572	NEEDLE THREAD TENSION RELEASING DISC
10	K59538	NEEDLE THREAD TENSION SPRING BUSHING (BACK)
11	K131741	NEEDLE THREAD TENSION SPRING
12	K143657	NEEDLE THREAD TENSION SPRING BUSHING (FRONT)
13	K143658	NEEDLE THREAD TENSION THUMB NUT LOCKING SPRING
14	K59539	NEEDLE THREAD TENSION STUD K50326 WITH K51570
15	K50326	NEEDLE THREAD TENSION STUD
16	K51570	NEEDLE THREAD TENSION THUMB NUT
17	K54279	NEEDLE THREAD TENSION THREAD GUIDE (DOUBLE)
18	K226206	NEEDLE THREAD TENSION RELEASING PIN
19	K415357	NEEDLE THREAD TENSION RELEASER
20	K543853 -003	NEEDLE THREAD TENSION BRACKET SPACING COLLAR (2)
21	K268167	NEEDLE THREAD TENSION BRACKET
22	K544336	NEEDLE THREAD TENSION BRACKET SCREW (2)
23	K204365	NEEDLE THREAD TENSION RELEASER SPRING
24	K415252	NEEDLE THREAD TENSION RELEASER CAP WITH K504048
25	K504048	NEEDLE THREAD TENSION RELEASER CAP SET SCREW
26	K268513	NEEDLE THREAD GUIDE (ON SIDE OF ARM) (2)
27	K414514	NEEDLE THREAD GUIDE SCREW (3)
28	K268312	NEEDLE THREAD GUIDE (ON ARM HEAD)
29	K268123	LOOPER THREAD TUBE
30	K415342 -451	LOOPER THREAD TUBE COVER
31	K268500	LOOPER THREAD TUBE COVER CUSHION
32	K414639	LOOPER THREAD TUBE COVER SCREW (4)
33	K502986	ARM PLUG

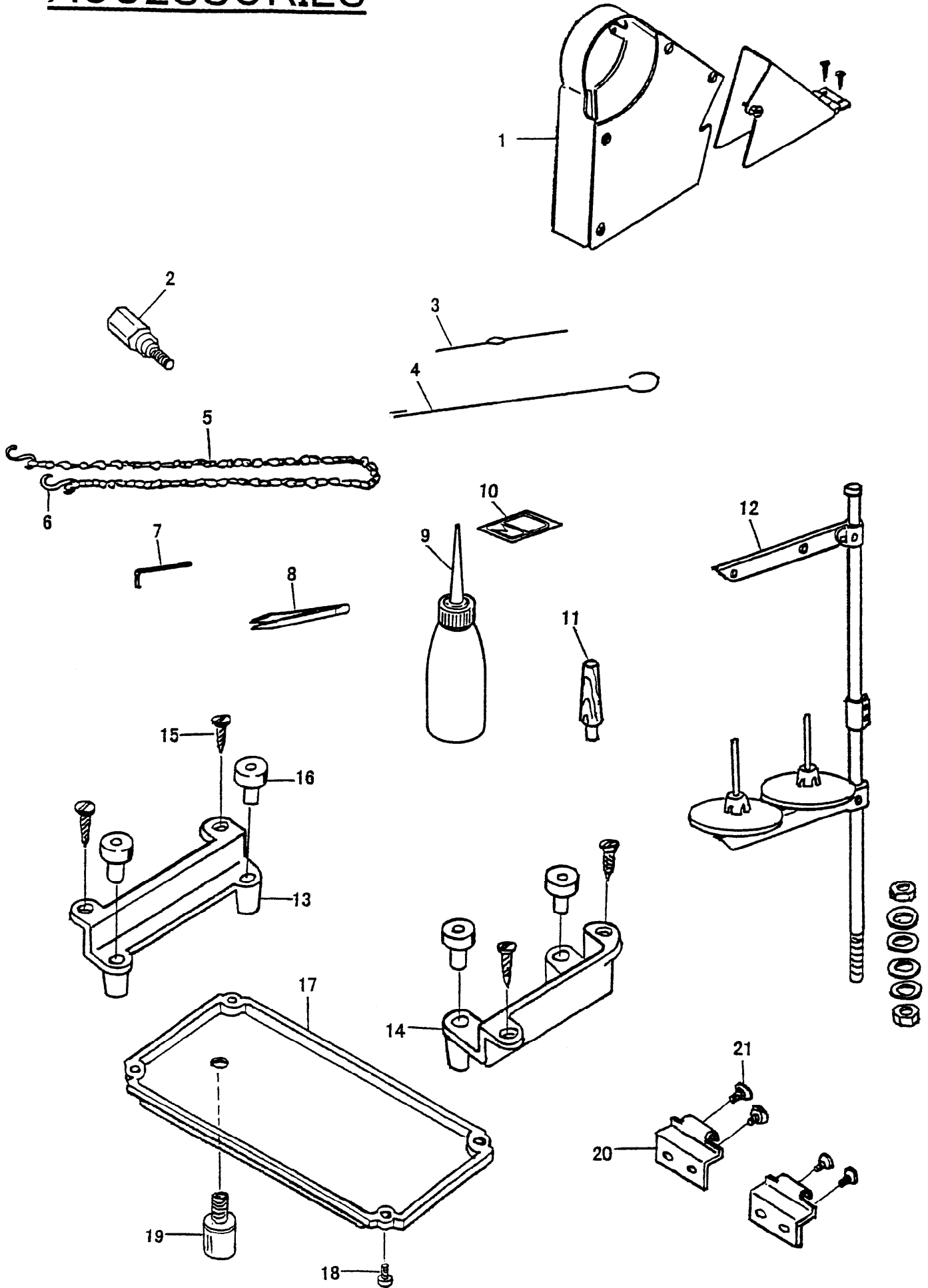
# EXTERNAL PARTS SEWING ARM



From the library of: Diamond Needle Corp

NO.	PART NO.	DESCRIPTION
1	K415014 -451	FACE PLATE WITH K268033 AND TWO EACH K228661 AND K545174-452
2	K268330	FACE PLATE HINGE STUD
3	K545174 -452	FACE PLATE HINGE STUD SET SCREW (2)
4	K268033	FACE PLATE LOCK STUD
5	K228661	FACE PLATE CUSHION (NEOPRENE) (2)
6	K268032	FACE PLATE LOCK SPRING
7	K415016	FACE PLATE LOCK SPRING PLATE
8	K414534	FACE PLATE LOCK SPRING SCREW (2)
9	K267701 -451	ARM SIDE COVER
10	K545246 -452	ARM SIDE COVER SCREW (4)
11	K267656 -452	THREAD LUBRICATOR
12	K504019	THREAD LUBRICATOR SCREW
13	K236957	THREAD LUBRICATOR OIL PAD (FELT) (3)
14	K415026 -451	BED PLATE (LEFT)
15	K414508	BED PLATE SCREW (8)
16	K415330 -451	BED PLATE (RIGHT) COMPLETE
17	K415036 -451	BED PLATE (RIGHT)
18	K268081	FEED REGULATING STUD
19	K270026	FEED REGULATING STUD SPRING (2)
20	K268082	FEED REGULATING STUD SOCKET
21	K240245	FEED REGULATING STUD RETAINING SPRING
22	K545249 -452	FEED REGULATING STUD SOCKET SCREW (2)
23	K268416	ANTI-REVERSING ROLLER CLUTCH RELEASING LATCH STUD
24	K268418	ANTI-REVERSING ROLLER CLUTCH RELEASING LATCH STUD SOCKET
25	K22989	ANTI-REVERSING ROLLER CLUTCH RELEASING LATCH
26	K29482	ANTI-REVERSING ROLLER CLUTCH RELEASING LATCH STUD PIN
27	K29481	ANTI-REVERSING ROLLER CLUTCH RELEASING LATCH HINGE PIN
28	K22990	ANTI-REVERSING ROLLER CLUTCH RELEASING LATCH COMPLETE, NOS. K22989, K29481, K29482, K268416, K268418 AND K270026
29	K545249 -452	ANTI-REVERSING ROLLER CLUTCH RELEASING LATCH STUD SOCKET SCREW (2)
30	K415027	BED PLATE SLIDE COMPLETE, NOS. K415028, K267970 WITH TWO K268022 AND SIX K545086
31	K415028	BED PLATE SLIDE
32	K268022	BED PLATE SLIDE SPRING (2)
33	K545086	BED PLATE SLIDE SPRING SCREW (6)
34	K267970	BED PLATE SLIDE SPRING (LEFT UPPER)
35	K268373	LOOPER THREAD GUIDE (ON BED AT LOOPER)
36	K414556	LOOPER THREAD GUIDE (ON BED AT LOOPER) SCREW
37	K415255	LOOPER THREAD TENSION BRACKET
38	K543853 -003	LOOPER THREAD TENSION BRACKET SPACING COLLAR (2)
39	K414532	LOOPER THREAD TENSION BRACKET SCREW (2)
40	K268333	LOOPER THREAD TENSION THREAD GUIDE
41	K415294	LOOPER THREAD TENSION COMPLETE, NOS. K10148, K415291, K541452 AND TWO K412203
42	K415291	LOOPER THREAD TENSION STUD
43	K412203	LOOPER THREAD TENSION DISC (2)
44	K10148	LOOPER THREAD TENSION SPRING
45	K541452	LOOPER THREAD TENSION THUMB NUT
46	K32827	THROAT PLATE
47	K414518	THROAT PLATE SCREW (3)
48	KE0007	FACE PLATE HINGE STUD

# ACCESSORIES



NO.	PART NO.	DESCRIPTION
1	K415433 -452	BELT GUARD COMPLETE
2	K415459	LIGHT FIXTURE STUD
3	K268340	LOOPER THREADING WIRE
4	K415377	THREAD WIRE
5	K232365	FOOT LIFTER TREADLE CHAIN (41-1/2 INCHES LONG)
6	K202784	FOOT LIFTER TREADLE CHAIN HOOK (2)
7	K21887	WRENCH
8	K543162	TWEEZERS
9	K546923	OILER
10	KN4112-01 -23	NEEDLE (62X59) SIZE 23 (5)
11	K410186	MACHINE REST PIN
12	K376392 -453	THREAD UNWINDER COMPLETE
13	K228733 -451	MACHINE REST (LEFT)
14	K228734 -451	MACHINE REST (RIGHT)
15	K414583	WOOD SCREW (FOR MACHINE REST) (4)
16	K228444	MACHINE CUSHION (NEOPRENE) (4)
17	K228731 -451	DRIP PAN
18	K545302	DRIP PAN SCREW (4)
19	K167448	OIL DRAIN JAR
20	K265307	BED HINGE CONNECTION (2)
21	K544381	BED HINGE CONNECTION SCREW (4)