

MODEL : MO-6800S

List No : 1672-02

# PARTS LIST

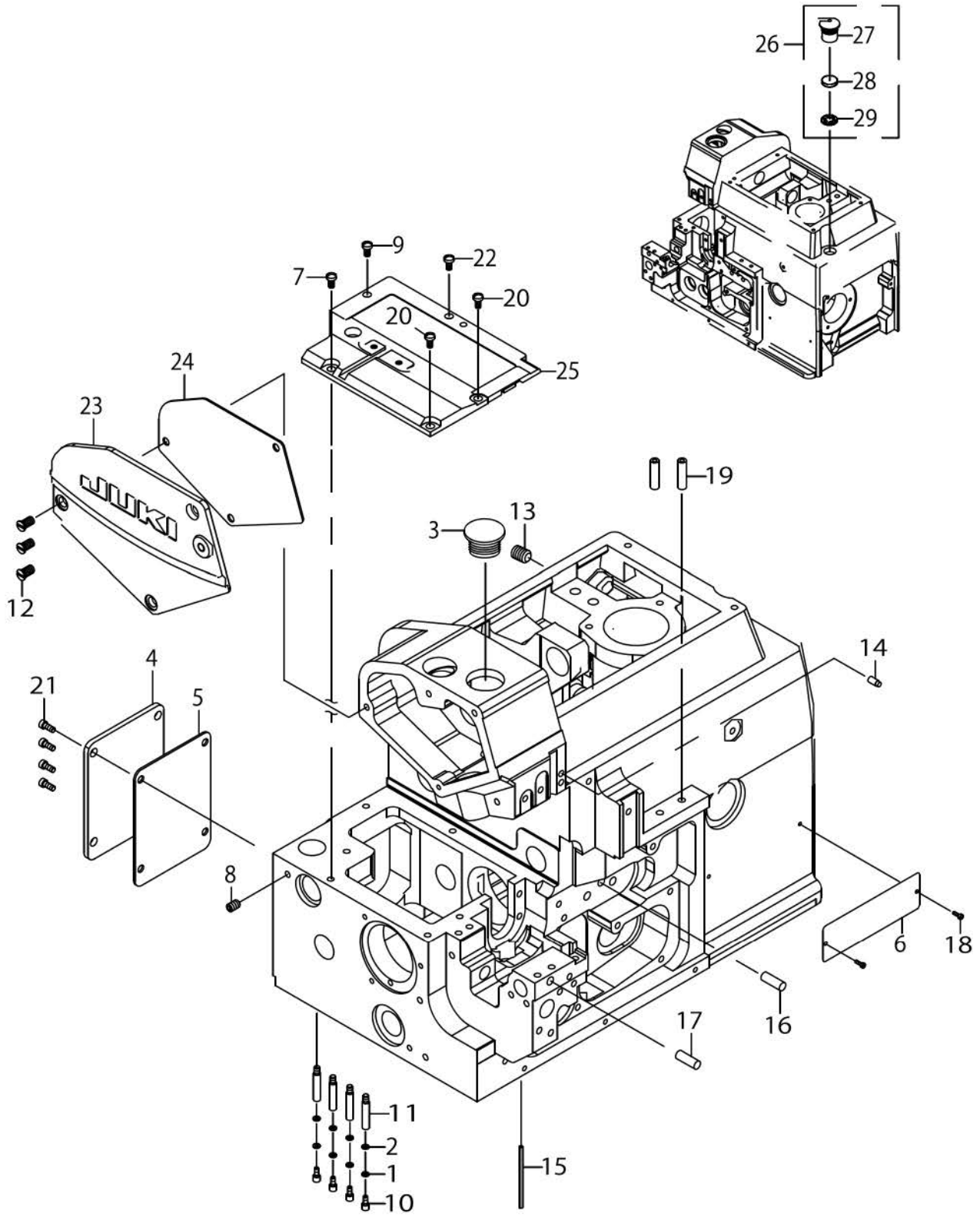
Published:08/22/2016

## CONTENTS

---

|   |    |
|---|----|
| MISCELLANEOUS COVER COMPONENTS (1).....     | 1  |
| MISCELLANEOUS COVER COMPONENTS (2).....     | 3  |
| MISCELLANEOUS COVER COMPONENTS (3).....     | 5  |
| CRANKSHAFT COMPONENTS .....                 | 7  |
| NEEDLE DRIVING SHAFT COMPONENTS .....       | 11 |
| THREAD TENSION COMPONENTS .....             | 13 |
| UPPER LOOPER COMPONENTS .....               | 17 |
| LOWER LOOPER COMPONENTS .....               | 21 |
| CHAIN LOOPER COMPONENTS (1).....            | 23 |
| CHAIN LOOPER COMPONENTS (2).....            | 25 |
| FEED MECHANISM COMPONENTS (1).....          | 27 |
| FEED MECHANISM COMPONENTS (2).....          | 29 |
| KNIFE COMPONENTS .....                      | 31 |
| PRESSER FOOT COMPONENTS.....                | 33 |
| LUBRICATION MECHANISM COMPONENTS.....       | 37 |
| NEEDLE COOLER UNIT COMPONENTS .....         | 41 |
| THREAD STAND COMPONENTS (FOR MO-6804S)..... | 43 |
| THREAD STAND COMPONENTS (FOR MO-6814S)..... | 45 |
| THREAD STAND COMPONENTS (FOR MO-6816S)..... | 47 |
| THREAD STAND COMPONENTS (FOR MO-6843S)..... | 49 |
| SEMI-SUNKEN TYPE TABLE COMPONENTS.....      | 51 |
| FULLY-SUNKEN TYPE TABLE COMPONENTS.....     | 53 |
| ACCESSORIES PARTS COMPONENTS .....          | 55 |
| PACKING COMPONENTS.....                     | 57 |
| TAPE INSERTION COMPONENTS .....             | 59 |
| 30P COMPONENTS.....                         | 61 |
| MO-6800S GAUGE TABLE .....                  | 63 |

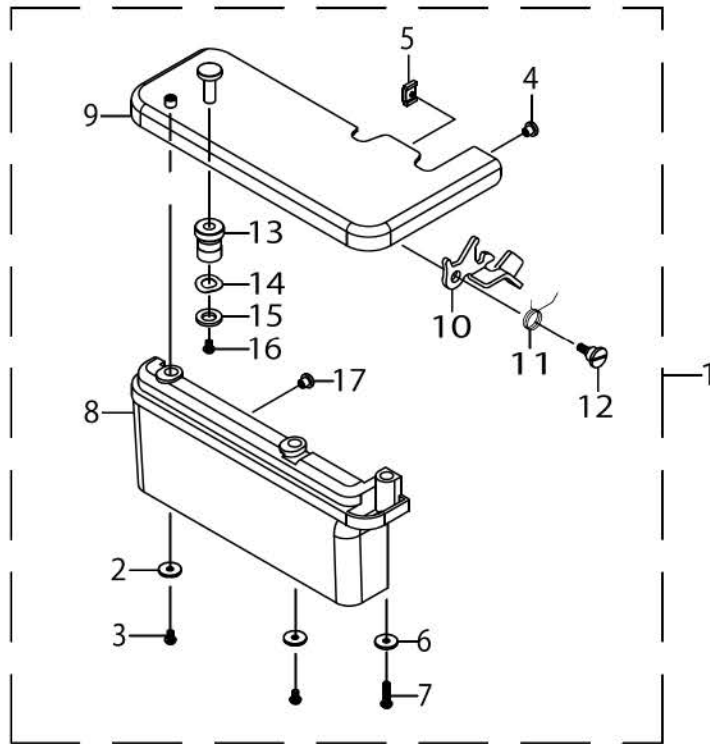
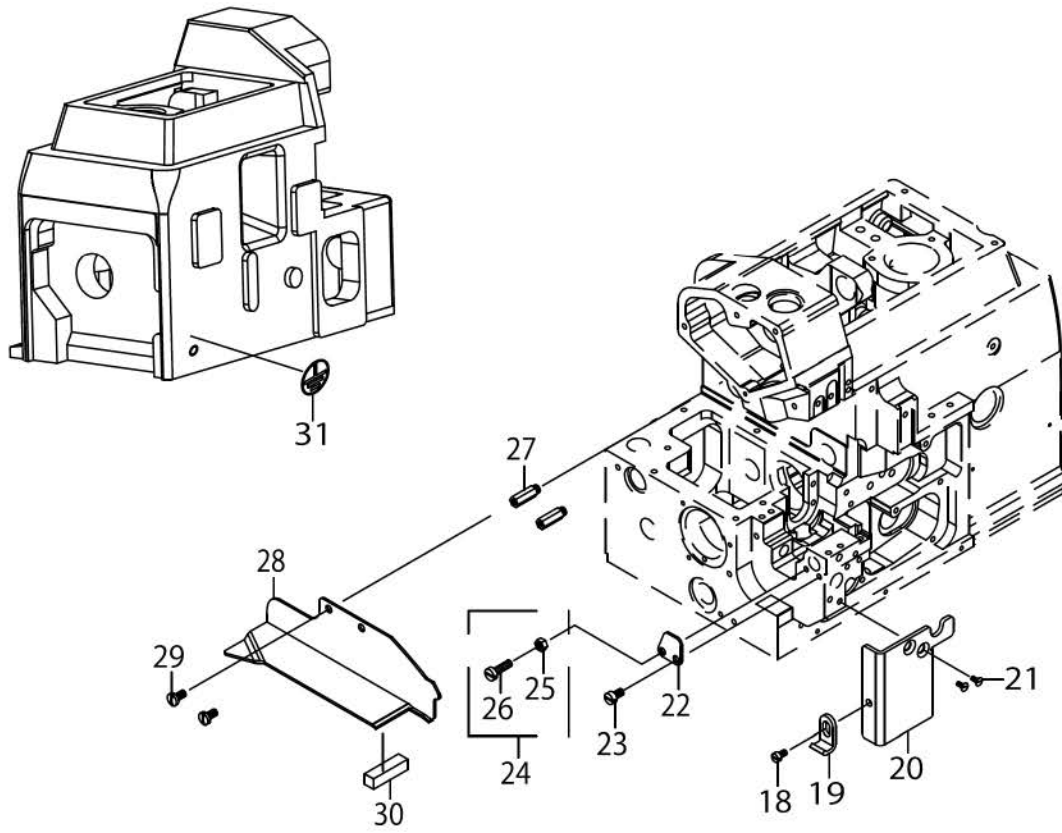
MISCELLANEOUS COVER COMPONENTS (1)







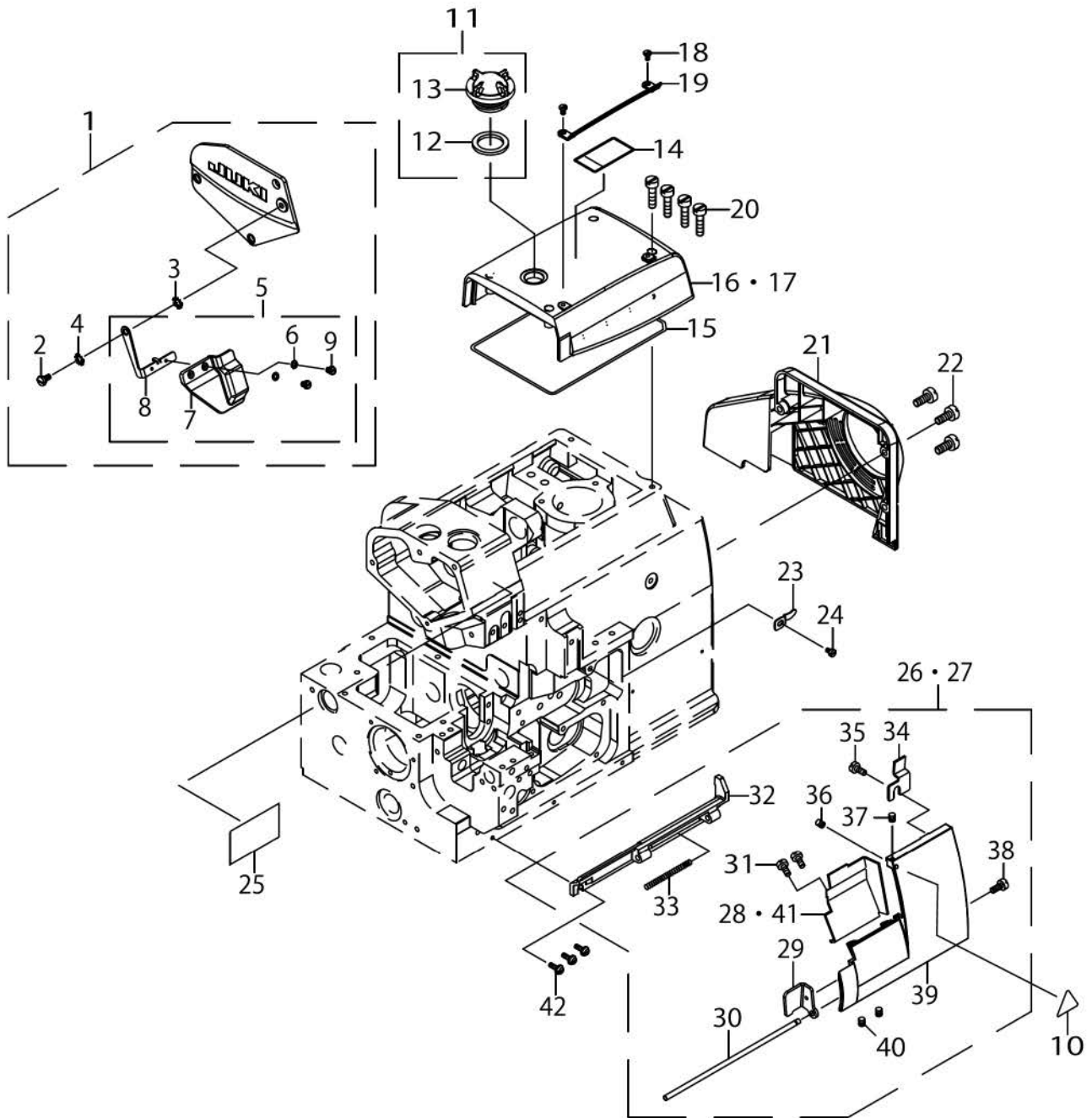
MISCELLANEOUS COVER COMPONENTS (2)



MISCELLANEOUS COVER COMPONENTS (2)

| No. | C-<br>ons | Le-<br>vel | Parts No. | Replacement | Supply Code | Parts name            | Qty | R-<br>ep.<br>Q-<br>TY | Status | Spec | Remarks |
|-----|-----------|------------|-----------|-------------|-------------|-----------------------|-----|-----------------------|--------|------|---------|
| 1   |           |            | 40159557  |             |             | FABRIC PLATE COVER CO | 1   |                       |        |      |         |
| 2   |           | *          | 70000368  |             |             | WASHER                | 2   |                       |        |      |         |
| 3   |           | *          | 70000574  |             |             | M,SCREW               | 2   |                       |        |      |         |
| 4   |           | *          | 70000490  |             |             | RUBBER PLUG           | 1   |                       |        |      |         |
| 5   |           | *          | 70000334  |             |             | FIXED SEAT            | 1   |                       |        |      |         |
| 6   |           | *          | 40159562  |             |             | WASHER                | 1   |                       |        |      |         |
| 7   |           | *          | 40159563  |             |             | M,SCREW               | 1   |                       |        |      |         |
| 8   |           | *          | 40159556  |             |             | SIDE COVER            | 1   |                       |        |      |         |
| 9   |           | *          | 40159555  |             |             | FABRIC PLATE COVER    | 1   |                       |        |      |         |
| 10  |           | *          | 40159564  |             |             | LEVER                 | 1   |                       |        |      |         |
| 11  |           | *          | 40159565  |             |             | SPRING                | 1   |                       |        |      |         |
| 12  |           | *          | 70000528  |             |             | E,SCREW               | 1   |                       |        |      |         |
| 13  |           | *          | 40159558  |             |             | BUSHING               | 1   |                       |        |      |         |
| 14  |           | *          | 40159559  |             |             | WASHER                | 1   |                       |        |      |         |
| 15  |           | *          | 40159560  |             |             | WASHER                | 1   |                       |        |      |         |
| 16  |           | *          | 70000577  |             |             | M,SCREW               | 1   |                       |        |      |         |
| 17  |           | *          | 40159561  |             |             | RUBBER PLUG           | 1   |                       |        |      |         |
| 18  |           |            | 40159552  |             |             | M,SCREW               | 1   |                       |        |      |         |
| 19  |           |            | 40159553  |             |             | GUIDE PLATE           | 1   |                       |        |      |         |
| 20  |           |            | 40159554  |             |             | OILER COVER           | 1   |                       |        |      |         |
| 21  |           |            | 70000516  |             |             | E,SCREW               | 2   |                       |        |      |         |
| 22  |           |            | 70000404  |             |             | FIXED PLATE           | 1   |                       |        |      |         |
| 23  |           |            | 70000518  |             |             | E,SCREW               | 1   |                       |        |      |         |
| 24  |           |            | 70000453  |             |             | NUT                   | 1   |                       |        |      |         |
| 25  |           | *          | 70000452  |             |             | NUT                   | 1   |                       |        |      |         |
| 26  |           | *          | 70000563  |             |             | E,SCREW               | 1   |                       |        |      |         |
| 27  |           |            | 70000494  |             |             | SCREW                 | 2   |                       |        |      |         |
| 28  |           |            | 70000493  |             |             | FABRIC GUIDE          | 1   |                       |        |      |         |
| 29  |           |            | 70000515  |             |             | E,SCREW               | 2   |                       |        |      |         |
| 30  |           |            | 70000755  |             |             | SPONGY CUSHION        | 1   |                       |        |      |         |
| 31  |           |            | 40159551  |             |             | LABEL,(GROUND_MARK)   | 1   |                       |        |      |         |

| MODEL                              | 04S/14S | 16S/43S |
|------------------------------------|---------|---------|
| MISCELLANEOUS COVER COMPONENTS (3) |         |         |
| PARTS NO                           | 28      | 41      |
|                                    | 26      | 27      |



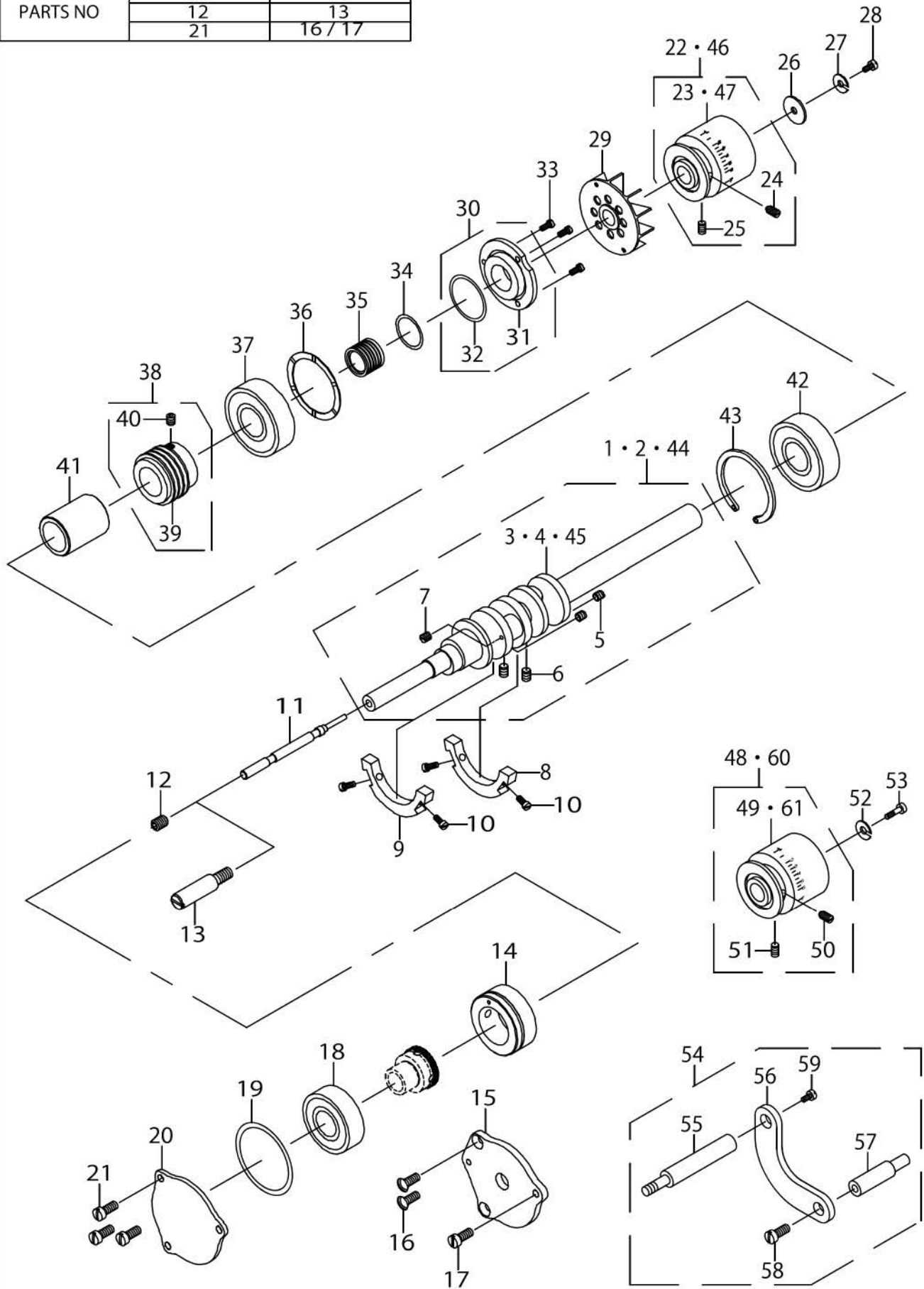
From the library of: Diamond Needle Corp

MISCELLANEOUS COVER COMPONENTS (3)

| No. | C-<br>ons | Le-<br>vel | Parts No. | Replacement | Supply Code | Parts name              | Qty | R-<br>ep.<br>Q-<br>TY | Status | Spec | Remarks     |
|-----|-----------|------------|-----------|-------------|-------------|-------------------------|-----|-----------------------|--------|------|-------------|
| 1   |           |            | 40159571  |             |             | SIDE COVER              | 1   |                       |        |      |             |
| 2   |           | *          | 40159573  |             |             | M_SCREW                 | 1   |                       |        |      |             |
| 3   |           | *          | 40159572  |             |             | WASHER                  | 1   |                       |        |      |             |
| 4   |           | *          | 40159572  |             |             | WASHER                  | 1   |                       |        |      |             |
| 5   |           | *          | 40159577  |             |             | SAFETY PLATE COMB.      | 1   |                       |        |      |             |
| 6   |           | *          | 40159576  |             |             | WASHER                  | 2   |                       |        |      |             |
| 7   |           | *          | 40159575  |             |             | SAFETY PLATE            | 1   |                       |        |      |             |
| 8   |           | *          | 40159574  |             |             | SAFETY PLATE BRACKET    | 1   |                       |        |      |             |
| 9   |           | *          | 70000908  |             |             | M_SCREW                 | 2   |                       |        |      |             |
| 10  |           |            | 70000736  |             |             | LABEL                   | 1   |                       |        |      |             |
| 11  |           |            | 40159579  |             |             | OIL LEVEL INSPECTION LI | 1   |                       |        |      |             |
| 12  |           | *          | 70000136  |             |             | GASKET                  | 1   |                       |        |      |             |
| 13  |           | *          | 40159578  |             |             | OIL LEVEL INSPECTION LI | 1   |                       |        |      |             |
| 14  |           |            | 70000161  |             |             | LABEL                   | 1   |                       |        |      |             |
| 15  |           |            | 70000222  |             |             | O-RING                  | 1   |                       |        |      |             |
| 16  |           |            | 40159582  |             |             | TOP COVER               | 1   |                       |        |      |             |
| 17  |           |            | 40159583  |             |             | TOP COVER (43 SIZE)     | 1   |                       |        |      | FOR 43S     |
| 18  |           |            | 40159580  |             |             | E_SCREW                 | 2   |                       |        |      |             |
| 19  |           |            | 40159581  |             |             | THREAD GUIDE PLATE      | 1   |                       |        |      |             |
| 20  |           |            | 70000563  |             |             | E_SCREW                 | 4   |                       |        |      |             |
| 21  |           |            | 40159584  |             |             | MOTOR COVER             | 1   |                       |        |      |             |
| 22  |           |            | 70000520  |             |             | E_SCREW                 | 3   |                       |        |      |             |
| 23  |           |            | 70000745  |             |             | GUIDE PLATE             | 1   |                       |        |      |             |
| 24  |           |            | 70000555  |             |             | E_SCREW                 | 1   |                       |        |      |             |
| 25  |           |            | *****     |             |             | EMBLEM                  | 1   |                       |        |      |             |
| 26  |           |            | 40159585  |             |             | FRONT COVER COMB.       | 1   |                       |        |      | FOR 04S,14S |
| 27  |           |            | 40159593  |             |             | FRONT COVER COMB.       | 1   |                       |        |      | FOR 16S,43S |
| 28  |           | *          | 70000481  |             |             | FRONT COVER             | 1   |                       |        |      | FOR 04S,14S |
| 29  |           | *          | 70000660  |             |             | PIN                     | 1   |                       |        |      |             |
| 30  |           | *          | 40159590  |             |             | SHAFT                   | 1   |                       |        |      |             |
| 31  |           | *          | 70000577  |             |             | M_SCREW                 | 2   |                       |        |      |             |
| 32  |           | *          | 40159586  |             |             | FIXED SEAT              | 1   |                       |        |      |             |
| 33  |           | *          | 40159587  |             |             | SPRING                  | 1   |                       |        |      |             |
| 34  |           | *          | 70000744  |             |             | RETAINING CLIP          | 1   |                       |        |      |             |
| 35  |           | *          | 70000577  |             |             | M_SCREW                 | 1   |                       |        |      |             |
| 36  |           | *          | 70000570  |             |             | M_SCREW                 | 1   |                       |        |      |             |
| 37  |           | *          | 70000569  |             |             | M_SCREW                 | 1   |                       |        |      |             |
| 38  |           | *          | 40159591  |             |             | E_SCREW                 | 1   |                       |        |      |             |
| 39  |           | *          | 40159592  |             |             | FRONT COVER             | 1   |                       |        |      |             |
| 40  |           | *          | 70000573  |             |             | M_SCREW                 | 2   |                       |        |      |             |
| 41  |           |            | 70000820  |             |             | FRONT COVER             | 1   |                       |        |      | FOR 16S,43S |
| 42  |           |            | 40159589  |             |             | E_SCREW                 | 3   |                       |        |      |             |

From the library of: Diamond Needle Corp

| MODEL    | 04S/14S | 16S/43S |
|----------|---------|---------|
|          | 20      | 15      |
| PARTS NO | 12      | 13      |
|          | 21      | 16/17   |



From the library of: Diamond Needle Corp



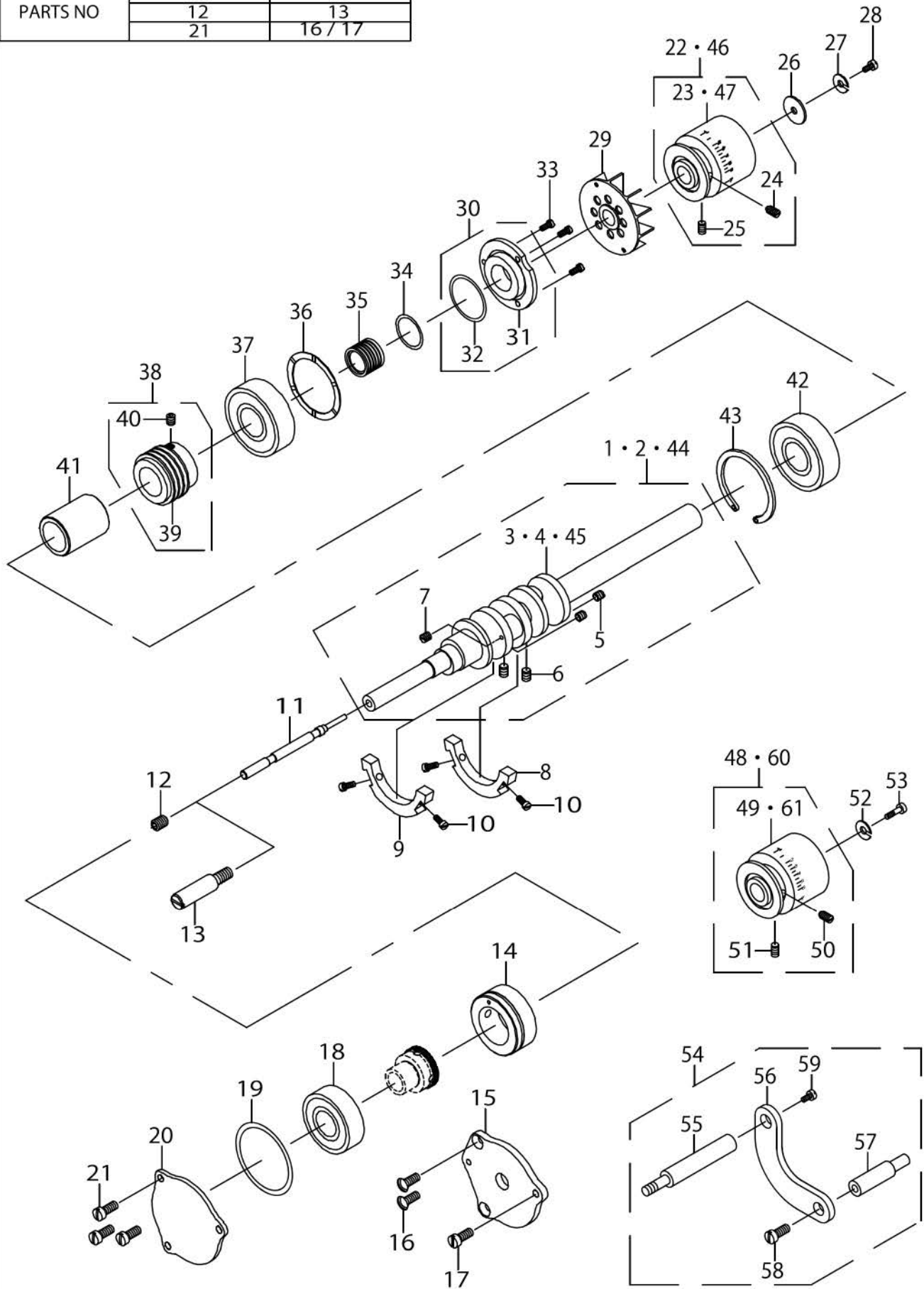
CRANKSHAFT COMPONENTS

| No. | C-<br>ons | Le-<br>vel | Parts No.   | Replacement | Supply Code | Parts name                   | Qty | R-<br>ep.<br>Q-<br>TY | Status | Spec | Remarks         |
|-----|-----------|------------|-------------|-------------|-------------|------------------------------|-----|-----------------------|--------|------|-----------------|
| 1   |           |            | 40159606    |             |             | MAIN SHAFT COMB.             | 1   |                       |        |      |                 |
| 2   |           |            | 40159607    |             |             | MAIN SHAFT COMB. (HIGH TYPE) | 1   |                       |        |      | FOR 14S-40H,14S |
| 3   | *         |            | 40159604    |             |             | MAIN SHAFT                   | 1   |                       |        |      |                 |
| 4   | *         |            | 40159605    |             |             | MAIN SHAFT (HIGH TYPE)       | 1   |                       |        |      | FOR 14S-40H,14S |
| 5   | *         |            | 7000565     |             |             | E_SCREW                      | 2   |                       |        |      |                 |
| 6   | *         |            | 7000564     |             |             | E_SCREW                      | 2   |                       |        |      |                 |
| 7   | *         |            | 7000565     |             |             | E_SCREW                      | 1   |                       |        |      |                 |
| 8   |           |            | 7000619     |             |             | BALANCE BLOCK                | 1   |                       |        |      |                 |
| 9   |           |            | 7000620     |             |             | BALANCE BLOCK                | 1   |                       |        |      |                 |
| 10  |           |            | 7000535     |             |             | E_SCREW                      | 4   |                       |        |      |                 |
| 11  |           |            | 70000737    |             |             | SHAFT                        | 1   |                       |        |      |                 |
| 12  |           |            | 40159608    |             |             | M_SCREW                      | 1   |                       |        |      | FOR 04S,14S     |
| 13  |           |            | 7000460     |             |             | FASTENER PIN                 | 1   |                       |        |      | FOR 16S,43S     |
| 14  |           |            | 70000130    |             |             | BUSHING                      | 1   |                       |        |      |                 |
| 15  |           |            | 70000701    |             |             | BEARING COVER                | 1   |                       |        |      | FOR 16S,43S     |
| 16  |           |            | 7000554     |             |             | E_SCREW                      | 2   |                       |        |      | FOR 16S,43S     |
| 17  |           |            | 7000562     |             |             | E_SCREW                      | 1   |                       |        |      | FOR 16S,43S     |
| 18  |           |            | 7000694     |             | Discontinue | BEARING                      | 1   |                       |        |      |                 |
| 19  |           |            | 70000145    |             |             | O-RING                       | 1   |                       |        |      |                 |
| 20  |           |            | 70000700    |             |             | BEARING COVER                | 1   |                       |        |      | FOR 04S,14S     |
| 21  |           |            | 7000508     |             |             | E_SCREW                      | 3   |                       |        |      | FOR 04S,14S     |
| 22  |           |            | 40159602    |             |             | HAND WHEEL COMB.             | 1   |                       |        |      |                 |
| 23  | *         |            | 40159601    |             |             | HAND WHEEL                   | 1   |                       |        |      |                 |
| 24  | *         |            | 7000536     |             |             | E_SCREW                      | 1   |                       |        |      |                 |
| 25  | *         |            | 7000546     |             |             | E_SCREW                      | 1   |                       |        |      |                 |
| 26  |           |            | 70000341    |             |             | GASKET                       | 1   |                       |        |      |                 |
| 27  |           |            | 7000612     |             |             | WASHER                       | 1   |                       |        |      |                 |
| 28  |           |            | 40159603    |             |             | M_SCREW                      | 1   |                       |        |      |                 |
| 29  |           |            | 70000750    |             |             | FAN BLADE                    | 1   |                       |        |      |                 |
| 30  |           |            | 70000431    |             |             | SIDE COVER COMB.             | 1   |                       |        |      |                 |
| 31  | *         |            | 70000430    |             |             | SIDE COVER                   | 1   |                       |        |      |                 |
| 32  | *         |            | 70000145    |             |             | O-RING                       | 1   |                       |        |      |                 |
| 33  |           |            | 7000521     |             |             | E_SCREW                      | 3   |                       |        |      |                 |
| 34  |           |            | 70000143    |             |             | O-RING                       | 1   |                       |        |      |                 |
| 35  |           |            | 70000149    |             |             | WORM WHEEL                   | 1   |                       |        |      |                 |
| 36  |           |            | 7000699     |             |             | WASHER                       | 1   |                       |        |      |                 |
| 37  |           |            | 7000695     |             |             | BEARING                      | 1   |                       |        |      |                 |
| 38  |           |            | 7000259     |             |             | WORM WHEEL                   | 1   |                       |        |      |                 |
| 39  | *         |            | 7000257     |             |             | WORM WHEEL                   | 1   |                       |        |      |                 |
| 40  | *         |            | 7000522     |             |             | E_SCREW                      | 1   |                       |        |      |                 |
| 41  |           |            | 70000314    |             |             | SHAFT                        | 1   |                       |        |      |                 |
| 42  |           |            | 7000696     |             |             | BEARING                      | 1   |                       |        |      |                 |
| 43  |           |            | 7000449     |             |             | STOP RING                    | 1   |                       |        |      |                 |
| 44  |           |            | 40164012    |             |             | MAIN SHAFT COMB.(30P)        | 1   |                       |        |      | FOR 30P         |
| 45  | *         |            | 40164011    |             |             | MAIN SHAFT (30P)             | 1   |                       |        |      | FOR 30P         |
| 46  |           |            | 40164057    |             |             | HAND WHEEL COMB.(30P)        | 1   |                       |        |      | FOR 30P         |
| 47  | *         |            | 40164058    |             |             | HAND WHEEL (30P)             | 1   |                       |        |      | FOR 30P         |
| 48  |           |            | 40159660    |             |             | HAND WHEEL COMB.(SYN)        | 1   |                       |        |      | OPTIONAL PAR    |
| 49  | *         |            | 40159659    |             |             | HAND WHEEL (SYNCHRO)         | 1   |                       |        |      |                 |
| 50  | *         |            | 7000536     |             |             | E_SCREW                      | 1   |                       |        |      |                 |
| 51  | *         |            | 7000546     |             |             | E_SCREW                      | 1   |                       |        |      |                 |
| 52  |           |            | 7000612     |             |             | WASHER                       | 1   |                       |        |      | OPTIONAL PAR    |
| 53  |           |            | 7000928     |             |             | M_SCREW                      | 1   |                       |        |      | OPTIONAL PAR    |
| 54  |           |            | 40170846    |             |             | SYNCHRONIZER_STOPPER         | 1   |                       |        |      | OPTIONAL PAR    |
| 55  | *         |            | 40170847    |             |             | SYNCHRONIZER_BASE_STU        | 1   |                       |        |      |                 |
| 56  | *         |            | 40170848    |             |             | SYNCHRONIZER_STOPPER         | 1   |                       |        |      |                 |
| 57  | *         |            | 40022255    |             |             | SYNCHRONIZER_STOPPER         | 1   |                       |        |      |                 |
| 58  | *         |            | SS6120940SP |             |             | SCREW 3/16-28 L=9            | 1   |                       |        |      |                 |
| 59  | *         |            | SS6111010TP |             |             | SCREW 11/64-40 L= 9.5        | 1   |                       |        |      |                 |
| 60  |           |            | 40164010    |             |             | HAND WHEEL COMB.(30P)        | 1   |                       |        |      | OPTIONAL PAR    |

From the library of: Diamond Needle Corp



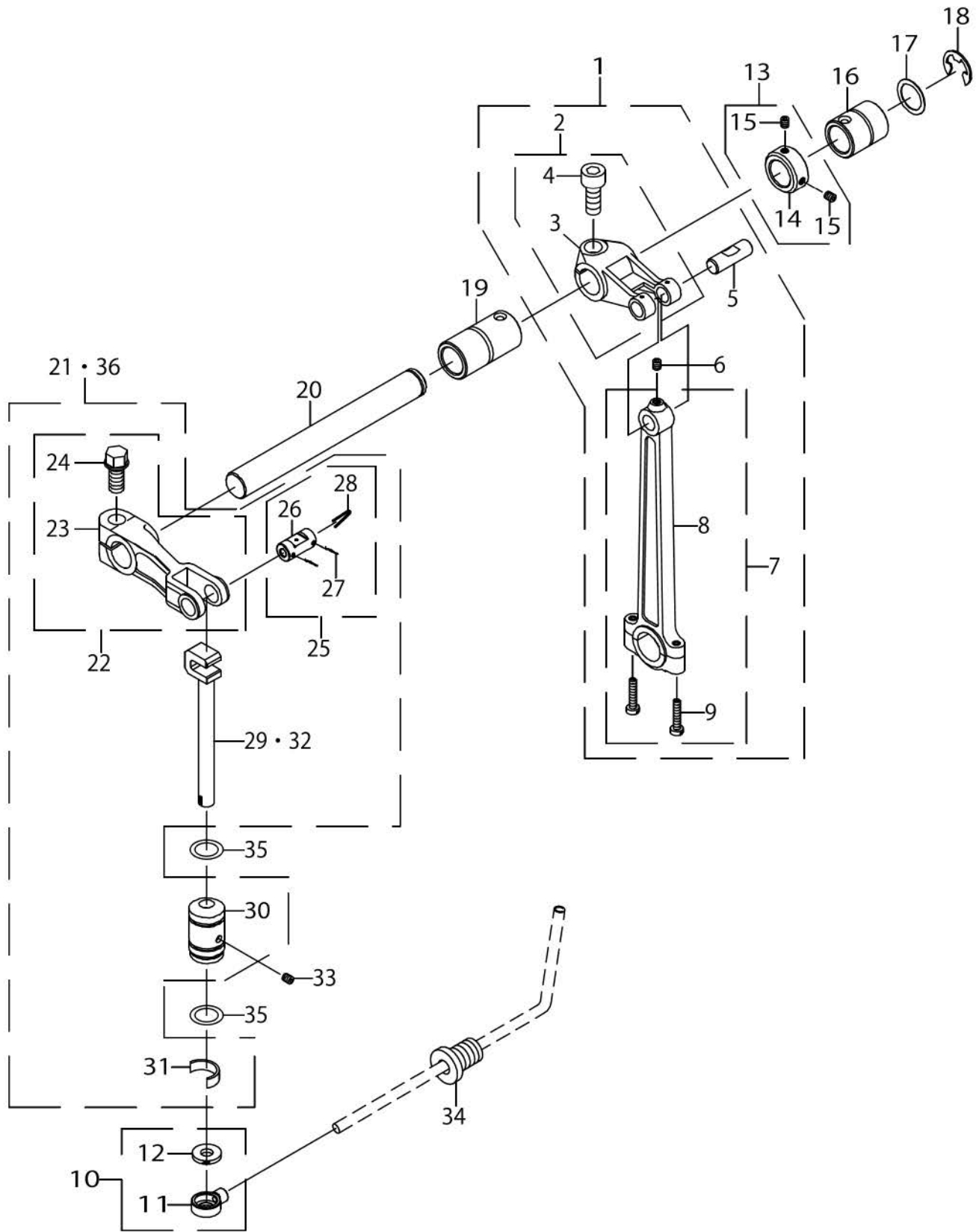
| MODEL    | 04S/14S | 16S/43S |
|----------|---------|---------|
|          | 20      | 15      |
| PARTS NO | 12      | 13      |
|          | 21      | 16/17   |



From the library of: Diamond Needle Corp



NEEDLE DRIVING SHAFT COMPONENTS

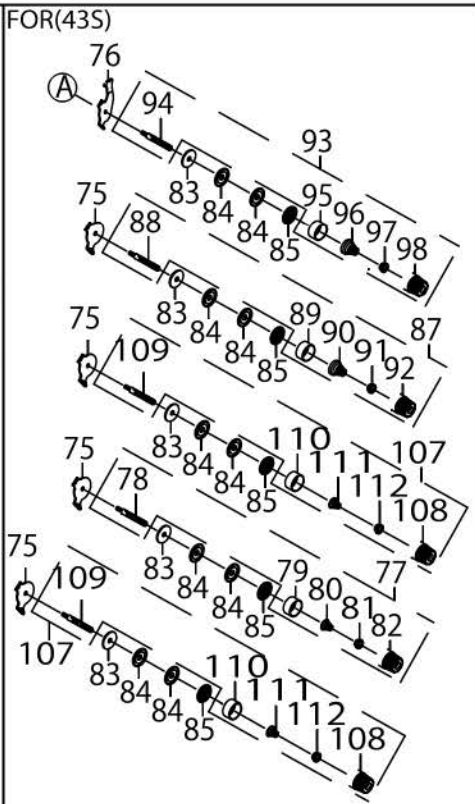
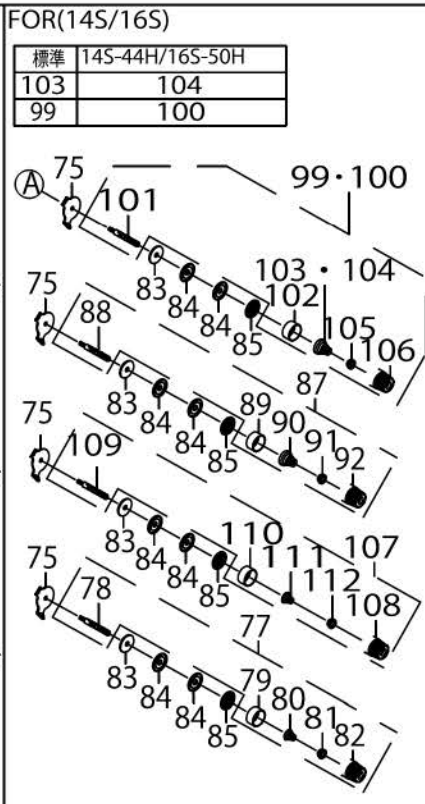
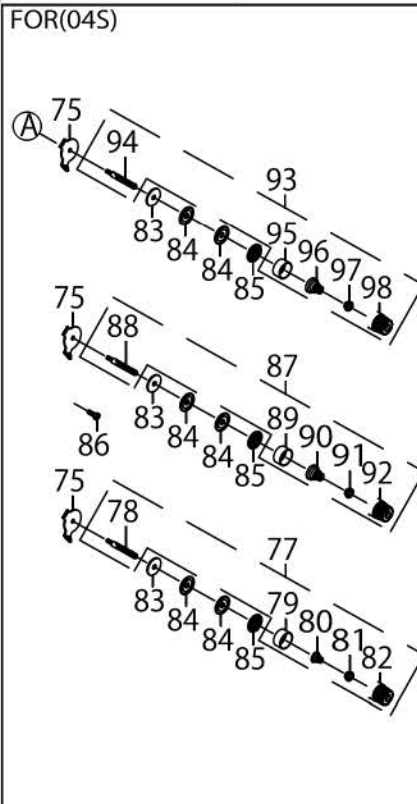
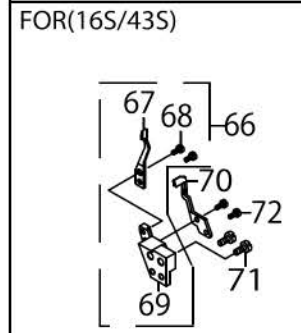
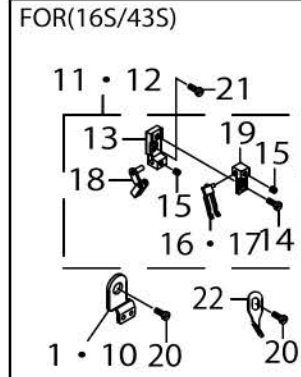
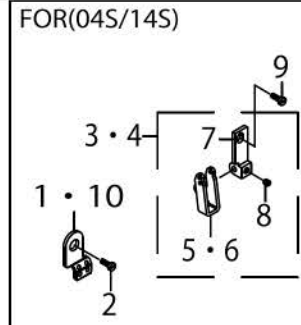
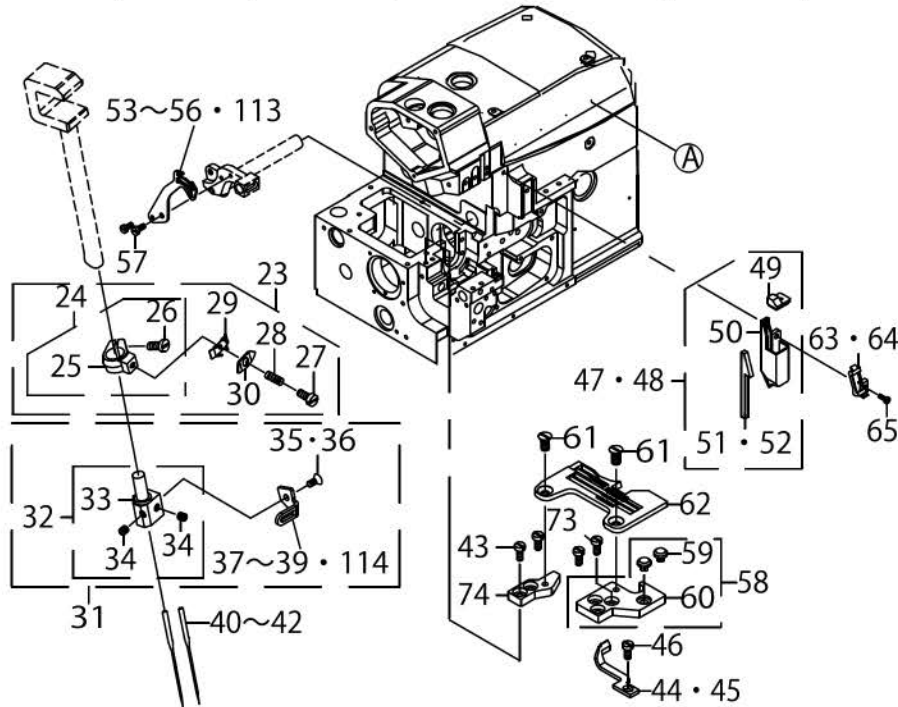


From the library of: Diamond Needle Corp

NEEDLE DRIVING SHAFT COMPONENTS

| No. | C-<br>ons | Le-<br>vel | Parts No. | Replacement | Supply Code | Parts name            | Qty | R-<br>ep.<br>Q-<br>TY | Status | Spec | Remarks     |
|-----|-----------|------------|-----------|-------------|-------------|-----------------------|-----|-----------------------|--------|------|-------------|
| 1   |           |            | 40159615  |             |             | SHAFT COMB.           | 1   |                       |        |      |             |
| 2   |           | *          | 7000643   |             |             | SHAFT                 | 1   |                       |        |      |             |
| 3   |           | *          | 7000640   |             |             | NEEDLE BAR ROCKER     | 1   |                       |        |      |             |
| 4   |           | *          | 7000588   |             |             | M_SCREW               | 1   |                       |        |      |             |
| 5   |           | *          | 7000646   |             |             | PIN                   | 1   |                       |        |      |             |
| 6   |           | *          | 7000522   |             |             | E_SCREW               | 1   |                       |        |      |             |
| 7   |           | *          | 40159618  |             | Disconinue  | CONNECTING ROD COMB.  | 1   |                       |        |      |             |
| 8   |           | *          | 40159617  |             |             | CONNECTING ROD        | 1   |                       |        |      |             |
| 9   |           | *          | 7000578   |             |             | M_SCREW               | 2   |                       |        |      |             |
| 10  |           |            | 7000267   |             |             | OIL FELT              | 1   |                       |        |      |             |
| 11  |           | *          | 7000266   |             |             | PLUG                  | 1   |                       |        |      |             |
| 12  |           | *          | 7000677   |             |             | OIL FELT              | 1   |                       |        |      |             |
| 13  |           |            | 7000437   |             |             | COLLAR                | 1   |                       |        |      |             |
| 14  |           | *          | 7000432   |             |             | COLLAR                | 1   |                       |        |      |             |
| 15  |           | *          | 7000522   |             |             | E_SCREW               | 2   |                       |        |      |             |
| 16  |           |            | 7000637   |             |             | BUSHING               | 1   |                       |        |      |             |
| 17  |           |            | 7000362   |             |             | WASHER                | 1   |                       |        |      |             |
| 18  |           |            | 7000134   |             |             | E_CIRCLIPS            | 1   |                       |        |      |             |
| 19  |           |            | 7000639   |             |             | BUSHING               | 1   |                       |        |      |             |
| 20  |           |            | 7000635   |             |             | ARBOR                 | 1   |                       |        |      |             |
| 21  |           |            | 40159619  |             |             | NEEDLE BAR COMB.      | 1   |                       |        |      |             |
| 22  |           | *          | 7000633   |             | Disconinue  | CONNECTING ROD COMB.  | 1   |                       |        |      |             |
| 23  |           | *          | 7000632   |             |             | CONNECTING ROD        | 1   |                       |        |      |             |
| 24  |           | *          | 7000593   |             |             | M_SCREW               | 1   |                       |        |      |             |
| 25  |           | *          | 7000638   |             | Disconinue  | SHAFT COMB.           | 1   |                       |        |      |             |
| 26  |           | *          | 7000636   |             |             | SHAFT                 | 1   |                       |        |      |             |
| 27  |           | *          | 7000728   |             |             | OIL YARN              | 2   |                       |        |      |             |
| 28  |           | *          | 7000729   |             |             | OIL WICK              | 1   |                       |        |      |             |
| 29  |           | *          | 7000654   |             |             | NEEDLE BAR            | 1   |                       |        |      |             |
| 30  |           | *          | 40159620  |             |             | BUSHING               | 1   |                       |        |      |             |
| 31  |           | *          | 7000676   |             |             | OIL FELT              | 1   |                       |        |      |             |
| 32  |           | *          | 40159658  |             |             | NEEDLE BAR (44H)      | 1   |                       |        |      | FOR 14S-44H |
| 33  |           |            | 7000503   |             |             | E_SCREW               | 1   |                       |        |      |             |
| 34  |           |            | 7000445   |             |             | PLUG                  | 1   |                       |        |      |             |
| 35  |           |            | 7000141   |             |             | O-RING                | 2   |                       |        |      |             |
| 36  |           |            | 40159623  |             |             | NEEDLE BAR COMB.(44H) | 1   |                       |        |      | FOR 14S-44H |

| MODEL    | 04S | 14S | 16S | 43S | 14S-30P |
|----------|-----|-----|-----|-----|---------|
| THREAD   | 10  | 10  | 10  | 1   |         |
| PARTS NO | 5   | 6   | 16  | 17  | 113     |
|          | 54  | 53  | 55  | 56  |         |
|          | 51  | 51  | 52  | 52  |         |
|          | 63  | 63  | 64  | 64  |         |
|          | 44  | 44  | 45  | 45  |         |
|          | 38  | 37  | 114 | 39  |         |
|          | 8   | 8   | 15  | 15  |         |
|          | 2   | 2   | 20  | 20  |         |
|          | 9   | 9   | 21  | 21  |         |
|          |     |     | 14  | 14  |         |
|          | 35  | 35  | 36  | 36  |         |
|          | 3   | 4   | 11  | 12  |         |
|          | 47  | 47  | 48  | 48  |         |





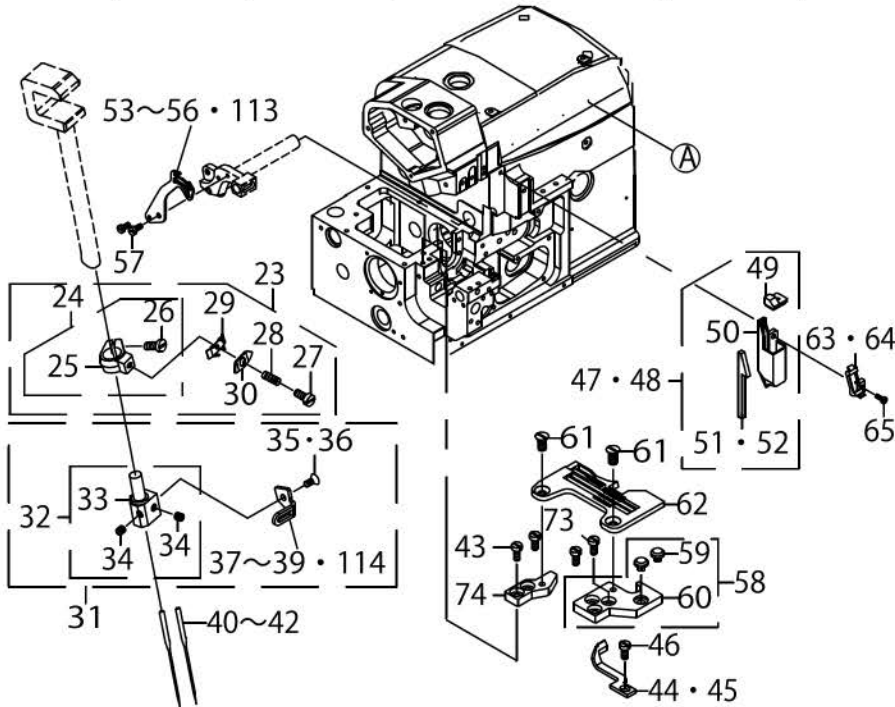
THREAD TENSION COMPONENTS

| No. | C-<br>ons | Le-<br>vel | Parts No. | Replacement | Supply Code | Parts name           | Qty | R-<br>ep.<br>Q-<br>TY | Status | Spec | Remarks       |
|-----|-----------|------------|-----------|-------------|-------------|----------------------|-----|-----------------------|--------|------|---------------|
| 1   |           |            | 40159645  |             |             | THREAD GUIDE PLATE   | 1   |                       |        |      | FOR 14S,43S   |
| 2   |           |            | 70000513  |             |             | E_SCREW              | 1   |                       |        |      | FOR 04S,14S   |
| 3   |           |            | 70000173  |             |             | FIXED PLATE COMB.    | 1   |                       |        |      | FOR 04S       |
| 4   |           |            | 70000832  |             |             | FIXED PLATE COMB.    | 1   |                       |        |      | FOR 14S       |
| 5   |           | *          | 70000822  |             |             | THREAD GUIDE PLATE   | 1   |                       |        |      | FOR 04S       |
| 6   |           | *          | 40159650  |             |             | THREAD GUIDE PLATE   | 1   |                       |        |      | FOR 14S       |
| 7   |           | *          | 70000164  |             |             | FIXED PLATE          | 1   |                       |        |      |               |
| 8   |           | *          | 70000498  |             |             | E_SCREW              | 1   |                       |        |      | FOR 04S,14S   |
| 9   |           |            | 70000549  |             |             | E_SCREW              | 1   |                       |        |      | FOR 04S,14S   |
| 10  |           |            | 40159646  |             |             | THREAD GUIDE PLATE   | 1   |                       |        |      | FOR 04S,16S   |
| 11  |           |            | 70000174  |             |             | FIXED PLATE COMB.    | 1   |                       |        |      | FOR 16S       |
| 12  |           |            | 70000833  |             |             | FIXED SEAT COMB.     | 1   |                       |        |      | FOR 43S       |
| 13  |           | *          | 70000171  |             |             | FIXED SEAT           | 1   |                       |        |      |               |
| 14  |           | *          | 70000559  |             |             | E_SCREW              | 1   |                       |        |      | FOR 16S,43S   |
| 15  |           | *          | 70000498  |             |             | E_SCREW              | 2   |                       |        |      | FOR 16S,43S   |
| 16  |           | *          | 40159647  |             |             | THREAD GUIDE PLATE   | 1   |                       |        |      | FOR 16S       |
| 17  |           | *          | 40159651  |             |             | THREAD GUIDE PLATE   | 1   |                       |        |      | FOR 43S       |
| 18  |           | *          | 40159648  |             |             | THREAD GUIDE PLATE   | 1   |                       |        |      |               |
| 19  |           | *          | 70000169  |             |             | FIXED BLOCK          | 1   |                       |        |      |               |
| 20  |           |            | 70000513  |             |             | E_SCREW              | 2   |                       |        |      | FOR 16S,43S   |
| 21  |           |            | 70000555  |             |             | E_SCREW              | 1   |                       |        |      | FOR 16S,43S   |
| 22  |           |            | 70000168  |             |             | THREAD GUIDE PLATE   | 1   |                       |        |      |               |
| 23  |           |            | 70000629  |             |             | CATCHER              | 1   |                       |        |      |               |
| 24  |           | *          | 70000653  |             |             | CRAMP                | 1   |                       |        |      |               |
| 25  |           | *          | 70000652  |             |             | CRAMP                | 1   |                       |        |      |               |
| 26  |           | *          | 70000572  |             |             | M_SCREW              | 1   |                       |        |      |               |
| 27  |           | *          | 40159629  |             |             | M_SCREW              | 1   |                       |        |      |               |
| 28  |           | *          | 70000598  |             |             | SPRING               | 1   |                       |        |      |               |
| 29  |           | *          | 70000626  |             |             | THREAD GRIP          | 1   |                       |        |      |               |
| 30  |           | *          | 70000627  |             |             | THREAD GRIP          | 1   |                       |        |      |               |
| 31  |           |            | *****     |             |             | NEEDLE CLAMP         | 1   |                       |        |      | REFER *MO-680 |
| 32  |           | *          | *****     |             |             | NEEDLE CLAMP         | 1   |                       |        |      | REFER *MO-680 |
| 33  |           | *          | *****     |             |             | NEEDLE CLAMP         | 1   |                       |        |      | REFER *MO-680 |
| 34  |           | *          | 70000498  |             |             | E_SCREW              | 2   |                       |        |      |               |
| 35  |           | *          | 70000567  |             |             | M_SCREW              | 1   |                       |        |      | FOR 04S,14S   |
| 36  |           | *          | 70000831  |             |             | M_SCREW              | 1   |                       |        |      | FOR 16S,43S   |
| 37  |           | *          | 70000628  |             |             | THREAD CROSSING      | 1   |                       |        |      | FOR 14S       |
| 38  |           | *          | 70000828  |             |             | THREAD CROSSING      | 1   |                       |        |      | FOR 04S       |
| 39  |           | *          | 70000829  |             |             | THREAD CROSSING      | 1   |                       |        |      | FOR 43S       |
| 40  |           |            | *****     |             |             | NEEDLE               | 2   |                       |        |      | REFER *MO-680 |
| 41  |           |            | *****     |             |             | NEEDLE               | 1   |                       |        |      | REFER *MO-680 |
| 42  |           |            | *****     |             |             | NEEDLE               | 3   |                       |        |      | REFER *MO-680 |
| 43  |           |            | 70000550  |             |             | E_SCREW              | 2   |                       |        |      |               |
| 44  |           |            | 70000469  |             |             | NEEDLE GUARD         | 1   |                       |        |      | FOR 04S,14S   |
| 45  |           |            | 70000827  |             |             | NEEDLE GUARD         | 1   |                       |        |      | FOR 16S,43S   |
| 46  |           |            | 70000555  |             |             | E_SCREW              | 1   |                       |        |      |               |
| 47  |           |            | 70000887  |             |             | OILER                | 1   |                       |        |      | FOR 04S,14S   |
| 48  |           |            | 40159652  |             |             | OILER                | 1   |                       |        |      | FOR 16S,43S   |
| 49  |           | *          | 70000849  |             |             | OILER COVER          | 1   |                       |        |      |               |
| 50  |           | *          | 70000847  |             |             | OILER                | 1   |                       |        |      |               |
| 51  |           | *          | 70000848  |             |             | OIL FELT             | 1   |                       |        |      | FOR 04S,14S   |
| 52  |           | *          | 70000885  |             |             | OIL FELT             | 1   |                       |        |      | FOR 16S,43S   |
| 53  |           |            | 40159630  |             |             | THREAD TAKE-UP LEVER | 1   |                       |        |      | FOR 14S       |
| 54  |           |            | 40159653  |             |             | THREAD TAKE-UP LEVER | 1   |                       |        |      | FOR 04S       |
| 55  |           |            | 40159654  |             |             | THREAD TAKE-UP LEVER | 1   |                       |        |      | FOR 16S       |
| 56  |           |            | 40159655  |             |             | THREAD TAKE-UP LEVER | 1   |                       |        |      | FOR 43S       |
| 57  |           |            | 70000505  |             |             | E_SCREW              | 2   |                       |        |      |               |
| 58  |           |            | 40159628  |             |             | NEEDLE PLATE BRACKET | 1   |                       |        |      |               |
| 59  |           | *          | 70000704  |             |             | RUBBER PLUG          | 2   |                       |        |      |               |
| 60  |           | *          | 40159626  |             |             | NEEDLE PLATE BRACKET | 1   |                       |        |      |               |

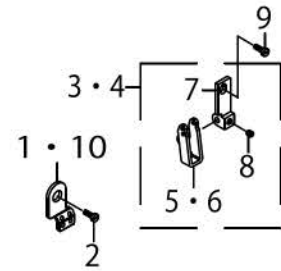
From the library of: Diamond Needle Corp



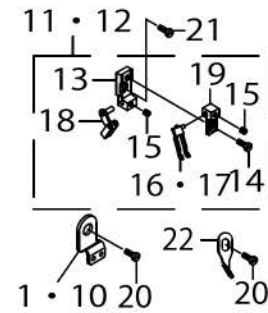
| MODEL    | 04S | 14S | 16S | 43S | 14S-30P |
|----------|-----|-----|-----|-----|---------|
| THREAD   | 10  | 10  | 10  | 1   |         |
| PARTS NO | 5   | 6   | 16  | 17  | 113     |
|          | 54  | 53  | 55  | 56  |         |
|          | 51  | 51  | 52  | 52  |         |
|          | 63  | 63  | 64  | 64  |         |
|          | 44  | 44  | 45  | 45  |         |
|          | 38  | 37  | 114 | 39  |         |
|          | 8   | 8   | 15  | 15  |         |
|          | 2   | 2   | 20  | 20  |         |
|          | 9   | 9   | 21  | 21  |         |
|          |     |     | 14  | 14  |         |
|          | 35  | 35  | 36  | 36  |         |
|          | 3   | 4   | 11  | 12  |         |
|          | 47  | 47  | 48  | 48  |         |



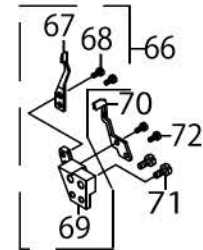
FOR(04S/14S)



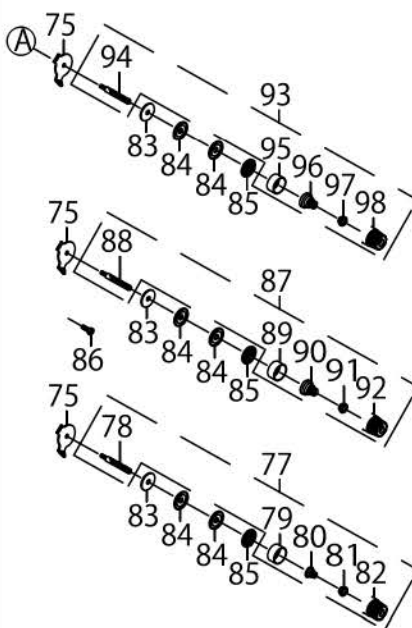
FOR(16S/43S)



FOR(16S/43S)

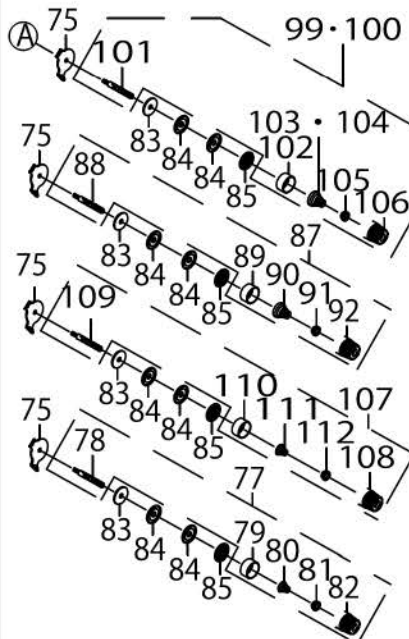


FOR(04S)

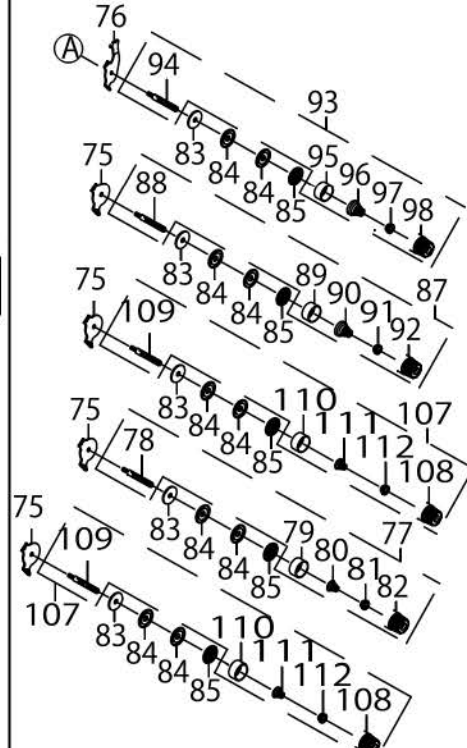


FOR(14S/16S)

| 標準  | 14S-44H/16S-50H |
|-----|-----------------|
| 103 | 104             |
| 99  | 100             |



FOR(43S)

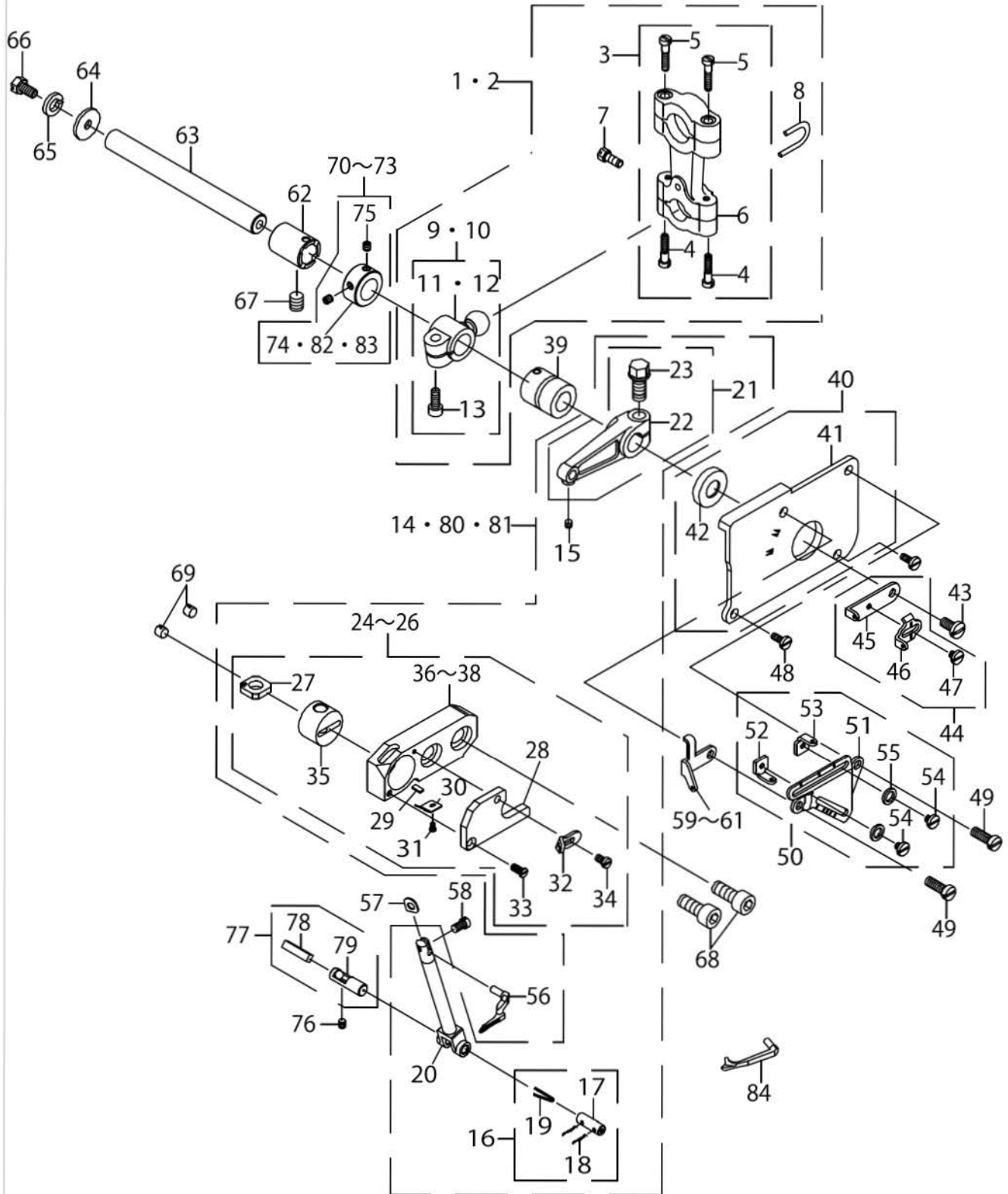


THREAD TENSION COMPONENTS

| No. | C-<br>ons | Le-<br>vel | Parts No. | Replacement | Supply Code | Parts name            | Qty | R-<br>ep.<br>Q-<br>TY | Status | Spec | Remarks        |
|-----|-----------|------------|-----------|-------------|-------------|-----------------------|-----|-----------------------|--------|------|----------------|
| 61  |           |            | 70000516  |             |             | E_SCREW               | 2   |                       |        |      |                |
| 62  |           |            | *****     |             |             | THROAT PLATE          | 1   |                       |        |      | REFER MO-680   |
| 63  |           |            | 70000850  |             |             | THREAD GUIDE PLATE    | 1   |                       |        |      | FOR 04S,14S    |
| 64  |           |            | 40159649  |             |             | THREAD GUIDE PLATE    | 1   |                       |        |      | FOR 16S,43S    |
| 65  |           |            | 40159625  |             |             | E_SCREW               | 1   |                       |        |      |                |
| 66  |           |            | 70000337  |             |             | FIXED SEAT COMB.      | 1   |                       |        |      |                |
| 67  |           | *          | 70000336  |             |             | NEEDLE GUARD          | 1   |                       |        |      |                |
| 68  |           | *          | 70000497  |             |             | E_SCREW               | 2   |                       |        |      |                |
| 69  |           | *          | 70000630  |             |             | NEEDLE GUARD          | 1   |                       |        |      |                |
| 70  |           |            | 70000335  |             |             | NEEDLE GUARD          | 1   |                       |        |      |                |
| 71  |           |            | 70000526  |             |             | E_SCREW               | 2   |                       |        |      |                |
| 72  |           |            | 70000497  |             |             | E_SCREW               | 2   |                       |        |      |                |
| 73  |           |            | 70000550  |             |             | E_SCREW               | 2   |                       |        |      |                |
| 74  |           |            | 40159627  |             |             | NEEDLE PLATE BRACKET  | 1   |                       |        |      |                |
| 75  |           |            | 40159631  |             |             | THREAD GUIDE PLATE    | 11  |                       |        |      |                |
| 76  |           |            | 40159644  |             |             | THREAD GUIDE PLATE    | 1   |                       |        |      |                |
| 77  |           |            | 40159640  |             |             | THREAD TENSION COMB.( | 3   |                       |        |      |                |
| 78  |           | *          | 40159632  |             |             | THREAD TENSION SHAFT  | 1   |                       |        |      |                |
| 79  |           | *          | 40159634  |             |             | SLEEVE                | 1   |                       |        |      |                |
| 80  |           | *          | 70000211  |             |             | SPRING                | 1   |                       |        |      |                |
| 81  |           | *          | 40159636  |             |             | FIXED RING            | 1   |                       |        |      |                |
| 82  |           | *          | 40178548  |             |             | THREAD TENSION KNOB.( | 1   |                       |        |      |                |
| 83  |           |            | 40159633  |             |             | THREAD TENSION RUBBER | 12  |                       |        |      |                |
| 84  |           |            | 70000203  |             |             | THREAD GRIP           | 24  |                       |        |      |                |
| 85  |           |            | 70000213  |             |             | OIL FELT              | 12  |                       |        |      |                |
| 86  |           |            | 70000513  |             |             | E_SCREW               | 1   |                       |        |      |                |
| 87  |           |            | 40159641  |             |             | THREAD TENSION COMB.( | 3   |                       |        |      |                |
| 88  |           | *          | 40159632  |             |             | THREAD TENSION SHAFT  | 1   |                       |        |      |                |
| 89  |           | *          | 40159634  |             |             | SLEEVE                | 1   |                       |        |      |                |
| 90  |           | *          | 40159624  |             |             | SPRING                | 1   |                       |        |      |                |
| 91  |           | *          | 40159636  |             |             | FIXED RING            | 1   |                       |        |      |                |
| 92  |           | *          | 40178550  |             |             | THREAD TENSION KNOB.( | 1   |                       |        |      |                |
| 93  |           |            | 40159642  |             |             | THREAD TENSION COMB.  | 2   |                       |        |      |                |
| 94  |           | *          | 40159632  |             |             | THREAD TENSION SHAFT  | 1   |                       |        |      |                |
| 95  |           | *          | 40159634  |             |             | SLEEVE                | 1   |                       |        |      |                |
| 96  |           | *          | 40159624  |             |             | SPRING                | 1   |                       |        |      |                |
| 97  |           | *          | 40159636  |             |             | FIXED RING            | 1   |                       |        |      |                |
| 98  |           | *          | 40178549  |             |             | THREAD TENSION KNOB.( | 1   |                       |        |      |                |
| 99  |           |            | 40159642  |             |             | THREAD TENSION COMB.( | 1   |                       |        |      |                |
| 100 |           |            | 40159656  |             |             | THREAD TENSION COMB.( | 1   |                       |        |      | FOR 14S-44H,16 |
| 101 |           | *          | 40159632  |             |             | THREAD TENSION SHAFT  | 1   |                       |        |      |                |
| 102 |           | *          | 40159634  |             |             | SLEEVE                | 1   |                       |        |      |                |
| 103 |           | *          | 40159624  |             |             | SPRING                | 1   |                       |        |      |                |
| 104 |           | *          | 40159657  |             |             | SPRING                | 1   |                       |        |      |                |
| 105 |           | *          | 40159636  |             |             | FIXED RING            | 1   |                       |        |      | FOR 14S-44H,16 |
| 106 |           | *          | 40178549  |             |             | THREAD TENSION KNOB.( | 1   |                       |        |      |                |
| 107 |           |            | 40159643  |             |             | THREAD TENSION COMB.( | 3   |                       |        |      |                |
| 108 |           | *          | 40178550  |             |             | THREAD TENSION KNOB.( | 1   |                       |        |      |                |
| 109 |           | *          | 40159632  |             |             | THREAD TENSION SHAFT  | 1   |                       |        |      |                |
| 110 |           | *          | 40159634  |             |             | SLEEVE                | 1   |                       |        |      |                |
| 111 |           | *          | 70000211  |             |             | SPRING                | 1   |                       |        |      |                |
| 112 |           | *          | 40159636  |             |             | FIXED RING            | 1   |                       |        |      |                |
| 113 |           |            | 40164056  |             |             | THREAD TAKE-UP LEVER  | 1   |                       |        |      | FOR 14S-30P    |
| 114 |           | *          | 40172527  |             |             | THREAD CROSSING       | 1   |                       |        |      | FOR 16S        |

From the library of: Diamond Needle Corp

| MODEL    | 04S/16S | 14S/43S | 14S-44H | 16S-50H |
|----------|---------|---------|---------|---------|
| PARTS NO | 73      | 72      | 70      | 71 + 72 |
|          | 12      | 11      | 11      | 12      |
|          | 10      | 9       | 9       | 10      |
|          | 2       | 1       | 1       | 2       |
|          | 36      | 37      | 38      | 36      |
|          | 24      | 25      | 26      | 24      |
|          |         | 59      | 60      | 61      |
|          | 14      | 80      | 81      | 14      |
|          | 82      | 83      | 74      | 83      |



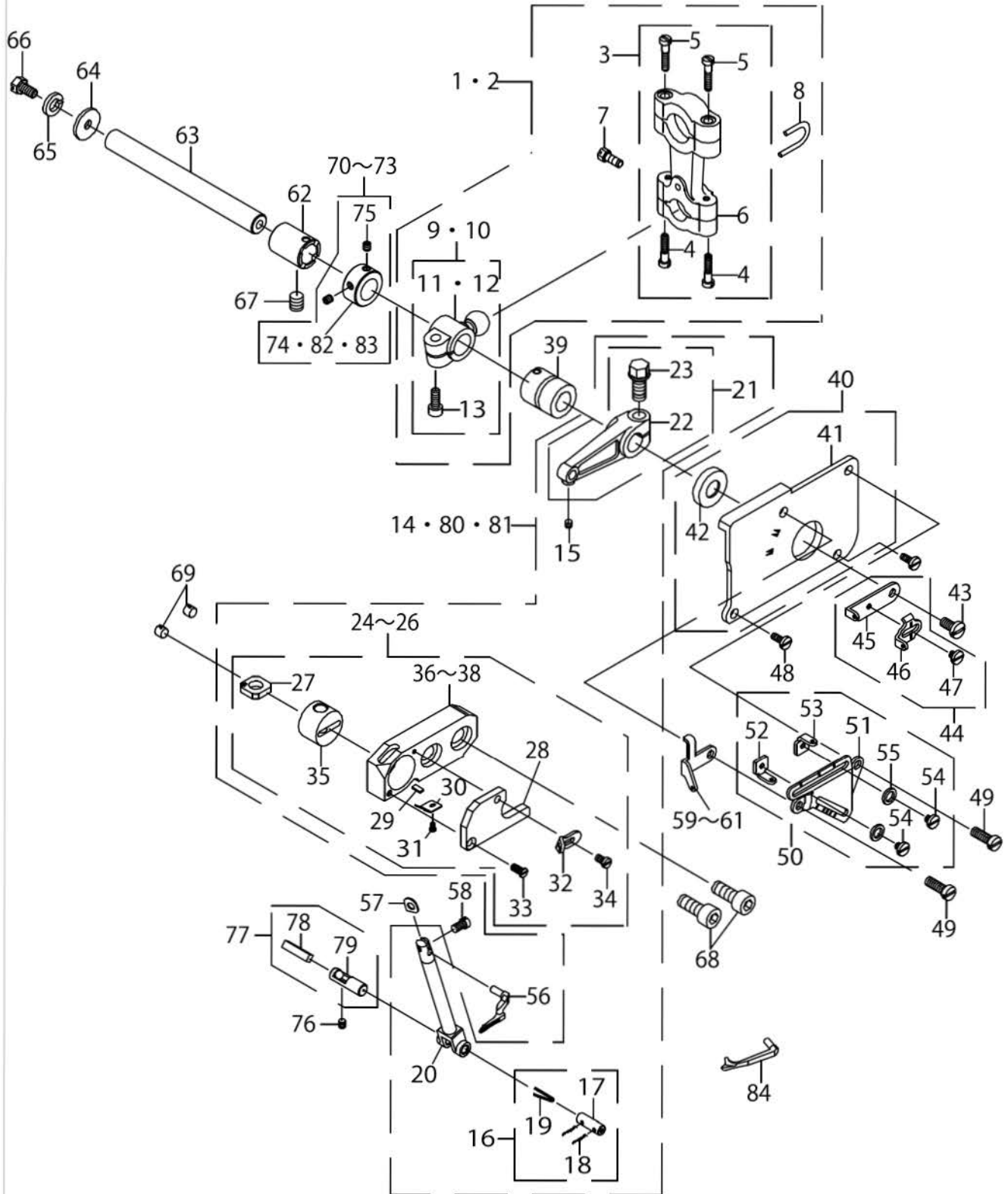


UPPER LOOPER COMPONENTS

| No. | C-<br>ons | Le-<br>vel | Parts No. | Replacement | Supply Code | Parts name            | Qty | R-<br>ep.<br>Q-<br>TY | Status | Spec         | Remarks        |
|-----|-----------|------------|-----------|-------------|-------------|-----------------------|-----|-----------------------|--------|--------------|----------------|
| 1   |           |            | 40159686  |             |             | BALL CONNECTING ROD C | 1   |                       |        |              | FOR 14S,43S,14 |
| 2   |           |            | 40159687  |             |             | BALL CONNECTING ROD C | 1   |                       |        |              | FOR 04S,16S,16 |
| 3   |           | *          | 40179596  |             |             | CONNECTING ROD        | 1   |                       |        |              |                |
| 4   |           | *          | 40179597  |             |             | E_SCREW               | 2   |                       |        |              |                |
| 5   |           | *          | 40179597  |             |             | E_SCREW               | 2   |                       |        |              |                |
| 6   |           | *          | 40178084  |             |             | BALL CONNECTING ROD   | 1   |                       |        |              |                |
| 7   |           | *          | 70000545  |             |             | E_SCREW               | 1   |                       |        |              |                |
| 8   |           | *          | 40159684  |             |             | FIXED JAW             | 1   |                       |        |              |                |
| 9   |           | *          | 70000254  |             |             | BALL CONNECTING ROD C | 1   |                       |        |              | FOR 14S,43S,14 |
| 10  |           | *          | 40159678  |             |             | BALL CONNECTING ROD C | 1   |                       |        |              | FOR 04S,16S,16 |
| 11  |           | *          | 70000253  |             |             | BALL CONNECTING ROD   | 1   |                       |        |              | FOR 14S,43S,14 |
| 12  |           | *          | 70000834  |             |             | BALL CONNECTING ROD   | 1   |                       |        |              | FOR 04S,16S,16 |
| 13  |           | *          | 70000590  |             |             | M_SCREW               | 1   |                       |        |              |                |
| 14  |           |            | 40159675  |             |             | CONNECTING ROD SEAT C | 1   |                       |        |              | FOR 04S,16S    |
| 15  |           | *          | 70000498  |             |             | E_SCREW               | 1   |                       |        |              |                |
| 16  |           | *          | 70000251  |             |             | LOOPER CONNECTING RC  | 1   |                       |        |              |                |
| 17  |           | *          | 70000661  |             |             | PIN                   | 1   |                       |        |              |                |
| 18  |           | *          | 70000728  |             |             | OIL YARN              | 2   |                       |        |              |                |
| 19  |           | *          | 70000729  |             |             | OIL WICK              | 1   |                       |        |              |                |
| 20  |           | *          | 40172535  |             |             | LOOPER CONNECTING RC  | 1   |                       |        |              |                |
| 21  |           | *          | 70000240  |             |             | CONNECTING ROD COMB.  | 1   |                       |        |              |                |
| 22  |           | *          | 70000239  |             |             | CONNECTING ROD        | 1   |                       |        |              |                |
| 23  |           | *          | 70000593  |             |             | M_SCREW               | 1   |                       |        |              |                |
| 24  |           | *          | 40159675  |             |             | CONNECTING ROD SEAT C | 1   |                       |        |              | FOR 04S,16S,16 |
| 25  |           | *          | 40159681  |             |             | CONNECTING ROD SEAT C | 1   |                       |        |              | FOR 14S,43S    |
| 26  |           | *          | 40159682  |             |             | CONNECTING ROD SEAT C | 1   |                       |        |              | FOR 14S-44H    |
| 27  |           | *          | 70000678  |             |             | OIL WICK              | 1   |                       |        |              |                |
| 28  |           | *          | 70000243  |             |             | FIXED PLATE           | 1   |                       |        |              |                |
| 29  |           | *          | 40159671  |             |             | OIL FELT              | 1   |                       |        |              |                |
| 30  |           | *          | 40159672  |             |             | FELT COVER            | 1   |                       |        |              |                |
| 31  |           | *          | 70000538  |             |             | E_SCREW               | 1   |                       |        |              |                |
| 32  |           | *          | 70000193  |             |             | THREAD CROSSING       | 1   |                       |        |              |                |
| 33  |           | *          | 70000560  |             |             | E_SCREW               | 1   |                       |        |              |                |
| 34  |           | *          | 40159674  |             |             | E_SCREW               | 1   |                       |        |              |                |
| 35  |           | *          | 70000241  | 70000836    |             | LOOPER GUIDE SHAFT    | 1   | 1.00                  | 選択部品   | for 3 NEEDLE |                |
| 35  |           | *          | 70000241  | 70000837    |             | LOOPER GUIDE SHAFT    | 1   | 1.00                  | 選択部品   | for 4 NEEDLE |                |
| 35  |           | *          | 70000241  | 70000245    |             | LOOPER GUIDE SHAFT    | 1   | 1.00                  | 選択部品   | for 5 NEEDLE |                |
| 36  |           | *          | 40159673  |             |             | CONNECTING ROD SEAT   | 1   |                       |        |              | FOR 04S,16S,16 |
| 37  |           | *          | 40159679  |             |             | CONNECTING ROD SEAT   | 1   |                       |        |              | FOR 14S,43S    |
| 38  |           | *          | 40159680  |             |             | CONNECTING ROD SEAT   | 1   |                       |        |              | FOR 14S-44H    |
| 39  |           |            | 70000248  |             |             | BUSHING               | 1   |                       |        |              |                |
| 40  |           |            | 70000749  |             |             | COVER                 | 1   |                       |        |              |                |
| 41  |           | *          | 70000748  |             |             | COVER                 | 1   |                       |        |              |                |
| 42  |           | *          | 70000268  |             |             | OIL SEAL              | 1   |                       |        |              |                |
| 43  |           |            | 70000515  |             |             | E_SCREW               | 1   |                       |        |              |                |
| 44  |           |            | 70000202  |             |             | THREAD CROSSING COMB  | 1   |                       |        |              |                |
| 45  |           | *          | 70000197  |             |             | THREAD CROSSING       | 1   |                       |        |              |                |
| 46  |           | *          | 70000198  |             |             | THREAD CROSSING       | 1   |                       |        |              |                |
| 47  |           | *          | 70000501  |             |             | E_SCREW               | 1   |                       |        |              |                |
| 48  |           |            | 70000521  |             |             | E_SCREW               | 2   |                       |        |              |                |
| 49  |           |            | 70000521  |             |             | E_SCREW               | 2   |                       |        |              |                |
| 50  |           |            | 70000201  |             |             | GRADUATED PLATE COMI  | 1   |                       |        |              |                |
| 51  |           | *          | 70000194  |             |             | FIXED PLATE           | 1   |                       |        |              |                |
| 52  |           | *          | 70000200  |             |             | THREAD CROSSING       | 1   |                       |        |              |                |
| 53  |           | *          | 70000195  |             |             | THREAD CROSSING       | 1   |                       |        |              |                |
| 54  |           | *          | 70000501  |             |             | E_SCREW               | 2   |                       |        |              |                |
| 55  |           | *          | 70000350  |             |             | WASHER                | 2   |                       |        |              |                |
| 56  |           |            | *****     |             |             | LOOPER                | 1   |                       |        |              | REFER *MO-680  |
| 57  |           |            | 40159670  |             |             | WASHER                | 1   |                       |        |              |                |
| 58  |           |            | 70000504  |             |             | E_SCREW               | 1   |                       |        |              |                |

From the library of: Diamond Needle Corp

| MODEL    | 04S/16S | 14S/43S | 14S-44H | 16S-50H |
|----------|---------|---------|---------|---------|
| PARTS NO | 73      | 72      | 70      | 71 + 72 |
|          | 12      | 11      | 11      | 12      |
|          | 10      | 9       | 9       | 10      |
|          | 2       | 1       | 1       | 2       |
|          | 36      | 37      | 38      | 36      |
|          | 24      | 25      | 26      | 24      |
|          |         | 59      | 60      | 61      |
|          | 14      | 80      | 81      | 14      |
|          | 82      | 83      | 74      | 83      |

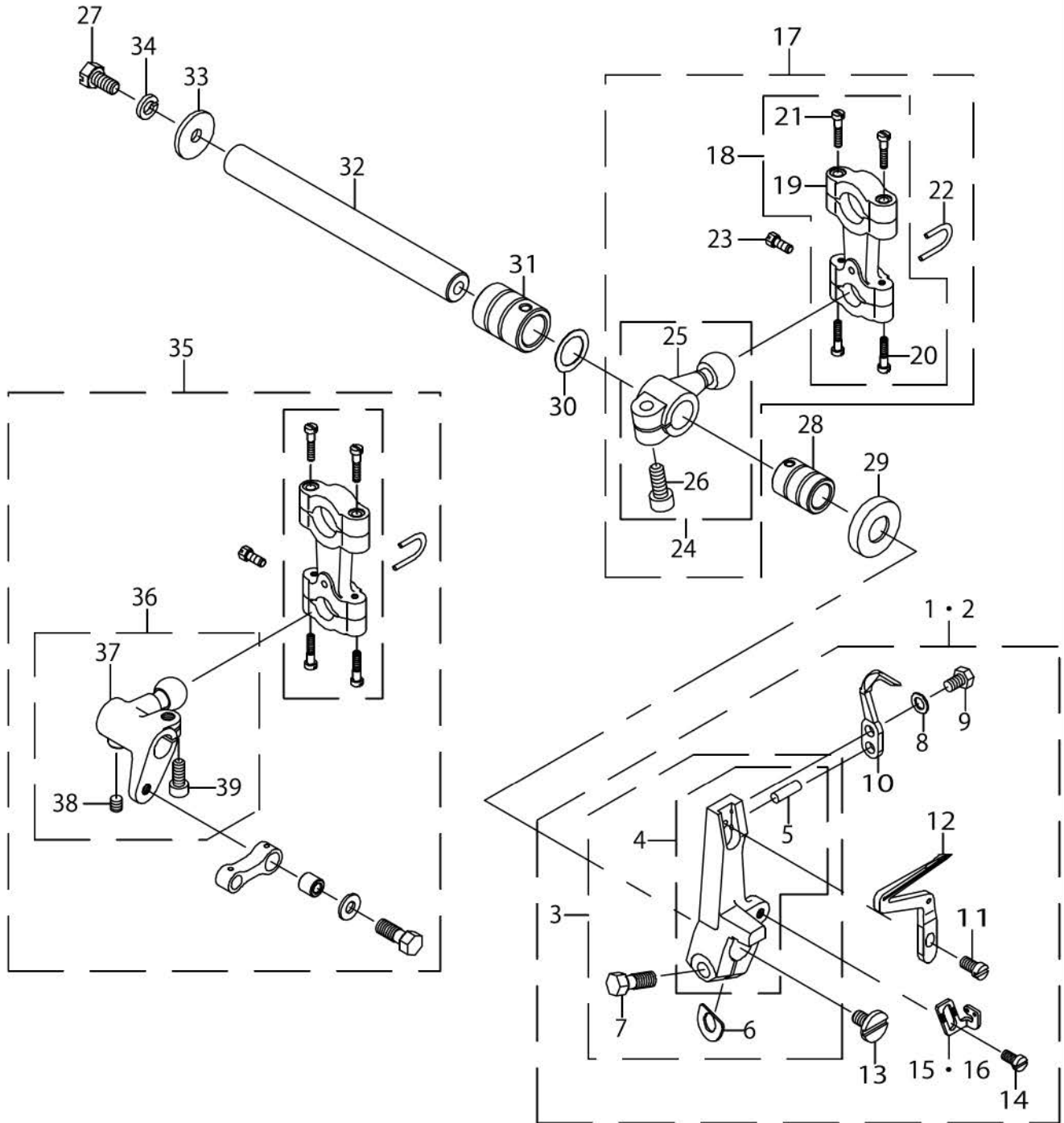


UPPER LOOPER COMPONENTS

| No. | C-<br>ons | Le-<br>vel | Parts No. | Replacement | Supply Code | Parts name            | Qty | R-<br>ep.<br>Q-<br>TY | Status | Spec | Remarks         |
|-----|-----------|------------|-----------|-------------|-------------|-----------------------|-----|-----------------------|--------|------|-----------------|
| 59  |           |            | 70000196  |             |             | THREAD CROSSING       | 1   |                       |        |      | FOR 04S,14S,16S |
| 60  |           |            | 70000812  |             |             | THREAD GUIDE          | 1   |                       |        |      | FOR 14S-44H     |
| 61  |           |            | 40159683  |             |             | THREAD GUIDE          | 1   |                       |        |      | FOR 16S-50H     |
| 62  |           |            | 70000247  |             |             | BUSHING               | 1   |                       |        |      |                 |
| 63  |           |            | 70000246  |             |             | ARBOR COMB.           | 1   |                       |        |      |                 |
| 64  |           |            | 70000342  |             |             | GASKET                | 1   |                       |        |      |                 |
| 65  |           |            | 70000613  |             |             | WASHER                | 1   |                       |        |      |                 |
| 66  |           |            | 70000517  |             |             | E_SCREW               | 1   |                       |        |      |                 |
| 67  |           |            | 70000522  |             |             | E_SCREW               | 1   |                       |        |      |                 |
| 68  |           |            | 70000587  |             |             | M_SCREW               | 2   |                       |        |      |                 |
| 69  |           |            | 70000679  |             |             | OIL WICK              | 2   |                       |        |      |                 |
| 70  |           |            | 40159666  |             |             | COLLAR COMB.          | 1   |                       |        |      | FOR 14S-44H     |
| 71  |           |            | 70000807  |             |             | COLLAR COMB.          | 1   |                       |        |      | FOR 16S-50H     |
| 72  |           |            | 40159676  |             |             | COLLAR COMB.          | 1   |                       |        |      | FOR 14S,43S,16S |
| 73  |           |            | 40159677  |             |             | COLLAR COMB.          | 1   |                       |        |      | FOR 04S,16S     |
| 74  |           | *          | 40159665  |             |             | COLLAR                | 1   |                       |        |      | FOR 14S-44H     |
| 75  |           | *          | 70000522  |             |             | E_SCREW               | 2   |                       |        |      |                 |
| 76  |           |            | 70000522  |             |             | E_SCREW               | 1   |                       |        |      |                 |
| 77  |           |            | 40159669  |             |             | OIL TUBE              | 1   |                       |        |      |                 |
| 78  |           | *          | 40159668  |             |             | OIL WICK              | 1   |                       |        |      |                 |
| 79  |           | *          | 40159667  |             |             | OIL TUBE              | 1   |                       |        |      |                 |
| 80  |           |            | 40159681  |             |             | CONNECTING ROD SEAT C | 1   |                       |        |      | FOR 14S,43S     |
| 81  |           |            | 40159682  |             |             | CONNECTING ROD SEAT C | 1   |                       |        |      | FOR 14S-44H     |
| 82  |           | *          | 40177859  |             |             | COLLAR                | 1   |                       |        |      | FOR 04S,16S     |
| 83  |           | *          | 40159715  |             |             | COLLAR                | 1   |                       |        |      | FOR 14S,43S,16S |
| 84  |           |            | 40176583  |             |             | LOOPER                | 1   |                       |        |      | OPTIONAL PAR    |



| MODEL    | 04S/14S | 16S/43S | 16S-50H |  |
|----------|---------|---------|---------|--|
| PARTS NO | 15      |         | 16      |  |
|          | 1       |         | 2       |  |
|          | 25      | 37      |         |  |
|          | /       |         | 38      |  |
|          |         |         | 36      |  |
|          | 17      | 35      |         |  |

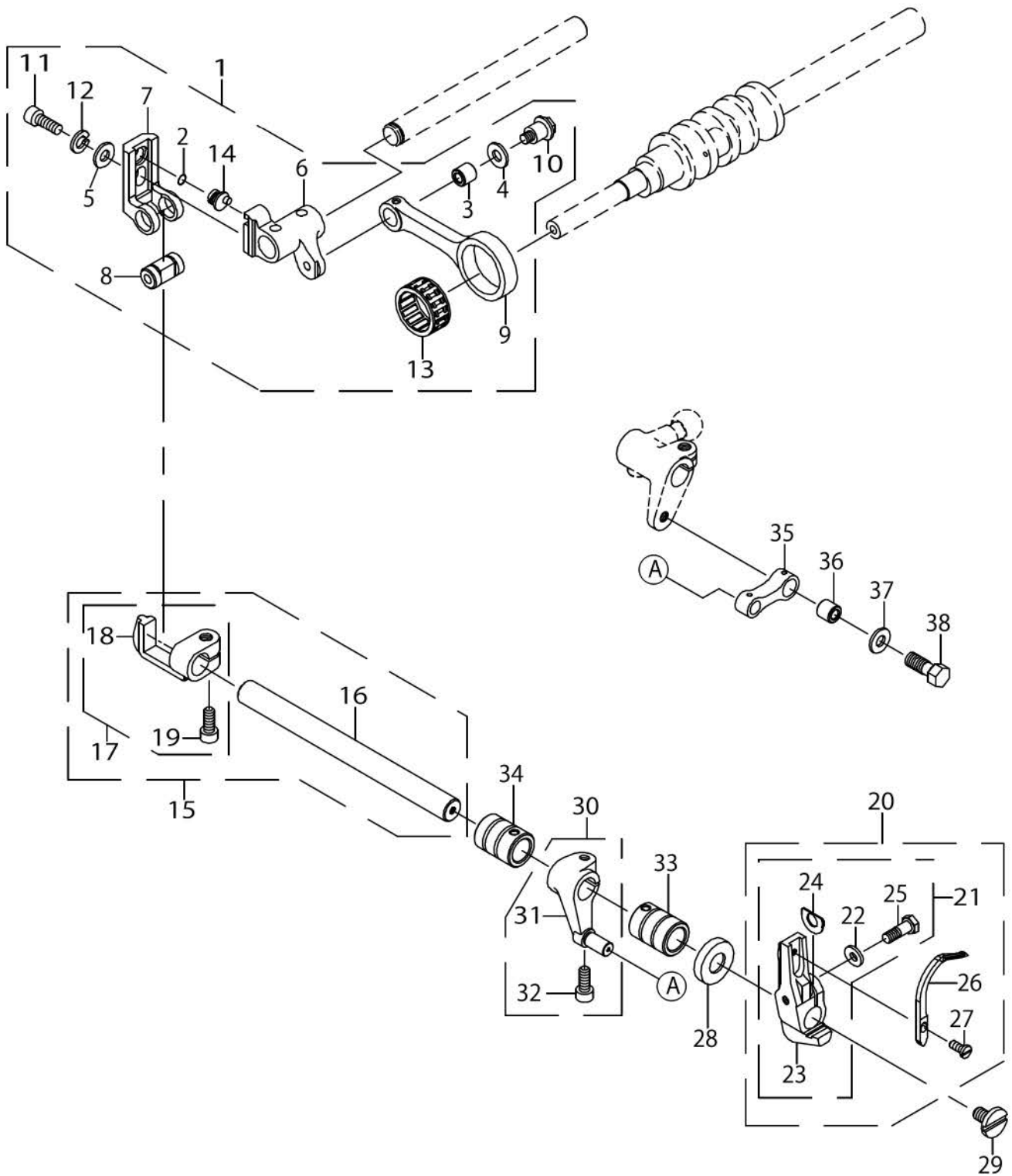


From the library of: Diamond Needle Corp

LOWER LOOPER COMPONENTS

| No. | C-<br>ons | Le-<br>vel | Parts No. | Replacement | Supply Code | Parts name            | Qty | R-<br>ep.<br>Q-<br>TY | Status | Spec | Remarks         |
|-----|-----------|------------|-----------|-------------|-------------|-----------------------|-----|-----------------------|--------|------|-----------------|
| 1   |           |            | 40159692  |             |             | LOOPER HOLDER COMB.   | 1   |                       |        |      | FOR 04S,14S,16S |
| 2   |           |            | 40159694  |             |             | LOOPER HOLDER COMB.   | 1   |                       |        |      | FOR 16-50H      |
| 3   |           | *          | 70000407  |             |             | LOOPER HOLDER         | 1   |                       |        |      |                 |
| 4   |           | *          | 70000406  |             |             | LOOPER HOLDER         | 1   |                       |        |      |                 |
| 5   |           | *          | 70000667  |             |             | PIN                   | 1   |                       |        |      |                 |
| 6   |           | *          | 70000380  |             |             | GASKET                | 1   |                       |        |      |                 |
| 7   |           | *          | 70000531  |             |             | E_SCREW               | 1   |                       |        |      |                 |
| 8   |           | *          | 70000751  |             |             | WASHER                | 1   |                       |        |      |                 |
| 9   |           | *          | 70000511  |             |             | E_SCREW               | 1   |                       |        |      |                 |
| 10  |           | *          | 70000175  |             |             | EJECTOR PLATE         | 1   |                       |        |      |                 |
| 11  |           | *          | 70000505  |             |             | E_SCREW               | 1   |                       |        |      |                 |
| 12  |           | *          | 70000405  |             |             | LOOPER                | 1   |                       |        |      |                 |
| 13  |           | *          | 70000525  |             |             | E_SCREW               | 1   |                       |        |      |                 |
| 14  |           | *          | 70000506  |             |             | E_SCREW               | 1   |                       |        |      |                 |
| 15  |           | *          | 70000199  |             |             | THREAD GUIDE PLATE    | 1   |                       |        |      | FOR 04S,14S,16S |
| 16  |           | *          | 40159693  |             |             | THREAD GUIDE PLATE    | 1   |                       |        |      | FOR 16-50H      |
| 17  |           |            | 40159689  |             |             | BALL CONNECTING ROD ( | 1   |                       |        |      | FOR 04S,14S     |
| 18  |           | *          | 40179596  |             |             | CONNECTING ROD        | 1   |                       |        |      |                 |
| 19  |           | *          | 40178084  |             |             | BALL CONNECTING ROD   | 1   |                       |        |      |                 |
| 20  |           | *          | 40179597  |             |             | E_SCREW               | 2   |                       |        |      |                 |
| 21  |           | *          | 40179597  |             |             | E_SCREW               | 2   |                       |        |      |                 |
| 22  |           | *          | 40159684  |             |             | FIXED JAW             | 1   |                       |        |      |                 |
| 23  |           | *          | 70000545  |             |             | E_SCREW               | 1   |                       |        |      |                 |
| 24  |           | *          | 70000415  |             |             | BALL CONNECTING ROD   | 1   |                       |        |      | FOR 04S,14S     |
| 25  |           | *          | 70000413  |             |             | BALL CONNECTING ROD   | 1   |                       |        |      | FOR 04S,14S     |
| 26  |           | *          | 70000590  |             |             | M_SCREW               | 1   |                       |        |      |                 |
| 27  |           |            | 70000517  |             |             | E_SCREW               | 1   |                       |        |      |                 |
| 28  |           |            | 70000410  |             |             | BUSHING               | 1   |                       |        |      |                 |
| 29  |           |            | 70000270  |             |             | OIL SEAL              | 1   |                       |        |      |                 |
| 30  |           |            | 70000752  |             |             | WASHER                | 1   |                       |        |      |                 |
| 31  |           |            | 70000410  |             |             | BUSHING               | 1   |                       |        |      |                 |
| 32  |           |            | 70000409  |             |             | ARBOR                 | 1   |                       |        |      |                 |
| 33  |           |            | 70000343  |             |             | GASKET                | 1   |                       |        |      |                 |
| 34  |           |            | 70000614  |             |             | WASHER                | 1   |                       |        |      |                 |
| 35  |           |            | 40159690  |             |             | BALL CONNECTING ROD ( | 1   |                       |        |      | FOR 16S,43S     |
| 36  |           | *          | 70000416  |             |             | BALL CONNECTING ROD   | 1   |                       |        |      | FOR 16S,43S     |
| 37  |           | *          | 70000414  |             |             | BALL CONNECTING ROD   | 1   |                       |        |      | FOR 16S,43S     |
| 38  |           | *          | 70000522  |             |             | E_SCREW               | 1   |                       |        |      | FOR 16S,43S     |
| 39  |           | *          | 70000590  |             |             | M_SCREW               | 1   |                       |        |      |                 |

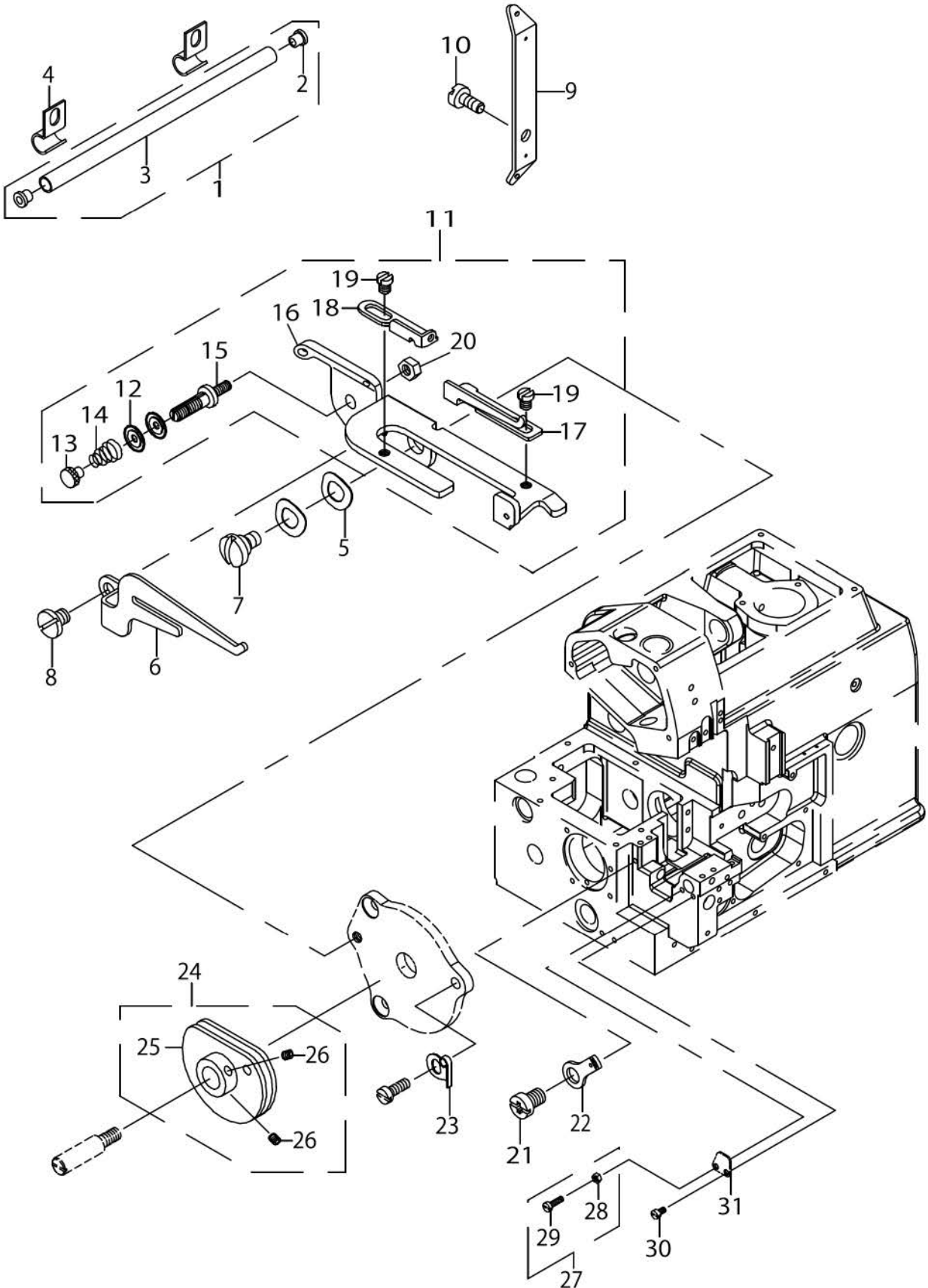
CHAIN LOOPER COMPONENTS (1)



CHAIN LOOPER COMPONENTS (1)

| No. | C-<br>ons | Le-<br>vel | Parts No. | Replacement | Supply Code | Parts name           | Qty | R-<br>ep.<br>Q-<br>TY | Status | Spec | Remarks |
|-----|-----------|------------|-----------|-------------|-------------|----------------------|-----|-----------------------|--------|------|---------|
| 1   |           |            | 70000479  |             |             | CONNECTING ROD COMB. | 1   |                       |        |      |         |
| 2   |           | *          | 70000139  |             |             | O-RING               | 1   |                       |        |      |         |
| 3   |           | *          | 70000317  |             |             | BUSHING              | 1   |                       |        |      |         |
| 4   |           | *          | 70000346  |             |             | GASKET               | 1   |                       |        |      |         |
| 5   |           | *          | 70000357  |             |             | WASHER               | 1   |                       |        |      |         |
| 6   |           | *          | 70000463  |             |             | ADJUSTING SEAT       | 1   |                       |        |      |         |
| 7   |           | *          | 70000464  |             |             | ADJUSTING SEAT       | 1   |                       |        |      |         |
| 8   |           | *          | 70000467  |             |             | SHAFT                | 1   |                       |        |      |         |
| 9   |           | *          | 70000478  |             |             | CONNECTING ROD       | 1   |                       |        |      |         |
| 10  |           | *          | 70000514  |             |             | E_SCREW              | 1   |                       |        |      |         |
| 11  |           | *          | 70000561  |             |             | E_SCREW              | 1   |                       |        |      |         |
| 12  |           | *          | 70000616  |             |             | WASHER               | 1   |                       |        |      |         |
| 13  |           | *          | 70000697  |             |             | BEARING              | 1   |                       |        |      |         |
| 14  |           | *          | 70000703  |             |             | ECCENTRIC            | 1   |                       |        |      |         |
| 15  |           |            | 70000465  |             |             | SLIDE BLOCK GUIDE    | 1   |                       |        |      |         |
| 16  |           | *          | 70000461  |             |             | SHAFT                | 1   |                       |        |      |         |
| 17  |           | *          | 70000466  |             |             | SLIDE BLOCK GUIDE    | 1   |                       |        |      |         |
| 18  |           | *          | 70000462  |             |             | SLIDE BLOCK GUIDE    | 1   |                       |        |      |         |
| 19  |           | *          | 70000590  |             |             | M_SCREW              | 1   |                       |        |      |         |
| 20  |           |            | 70000475  |             |             | LOOPER COMB.         | 1   |                       |        |      |         |
| 21  |           | *          | 70000476  |             |             | LOOPER HOLDER        | 1   |                       |        |      |         |
| 22  |           | *          | 70000351  |             |             | WASHER               | 1   |                       |        |      |         |
| 23  |           | *          | 70000474  |             |             | LOOPER HOLDER        | 1   |                       |        |      |         |
| 24  |           | *          | 70000380  |             |             | GASKET               | 1   |                       |        |      |         |
| 25  |           | *          | 70000531  |             |             | E_SCREW              | 1   |                       |        |      |         |
| 26  |           | *          | 70000473  |             |             | LOOPER               | 1   |                       |        |      |         |
| 27  |           | *          | 70000508  |             |             | E_SCREW              | 1   |                       |        |      |         |
| 28  |           |            | 70000270  |             |             | OIL SEAL             | 1   |                       |        |      |         |
| 29  |           |            | 70000525  |             |             | SCREW                | 1   |                       |        |      |         |
| 30  |           |            | 70000471  |             |             | LOOPER CONNECTING RC | 1   |                       |        |      |         |
| 31  |           | *          | 70000470  |             |             | LOOPER CONNECTING RC | 1   |                       |        |      |         |
| 32  |           | *          | 70000590  |             |             | M_SCREW              | 1   |                       |        |      |         |
| 33  |           |            | 70000477  |             |             | BUSHING              | 1   |                       |        |      |         |
| 34  |           |            | 70000410  |             |             | BUSHING              | 1   |                       |        |      |         |
| 35  |           |            | 70000472  |             |             | CONNECTING ROD       | 1   |                       |        |      |         |
| 36  |           |            | 70000317  |             |             | BUSHING              | 1   |                       |        |      |         |
| 37  |           |            | 70000346  |             |             | GASKET               | 1   |                       |        |      |         |
| 38  |           |            | 70000514  |             |             | E_SCREW              | 1   |                       |        |      |         |

CHAIN LOOPER COMPONENTS (2)



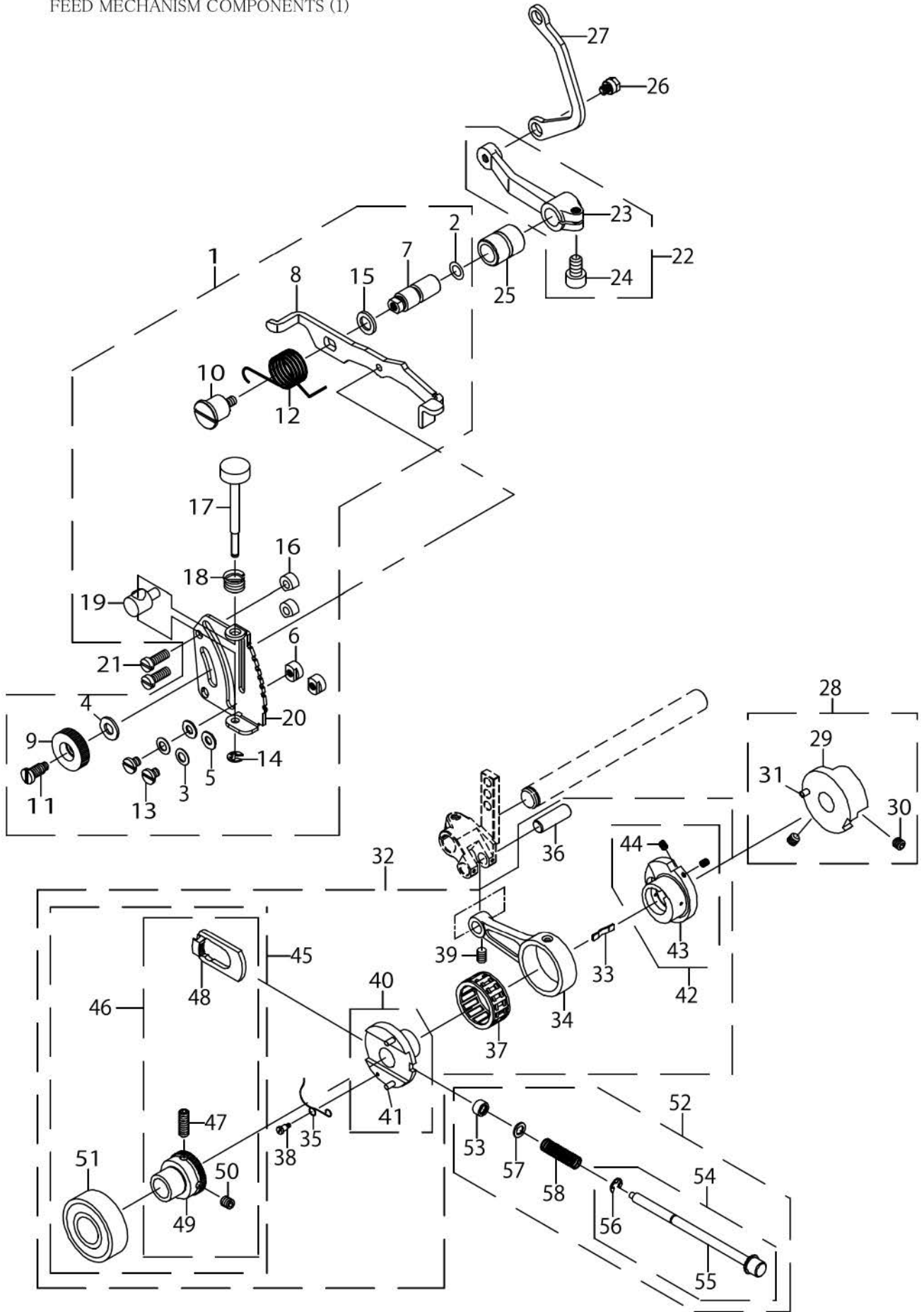


CHAIN LOOPER COMPONENTS (2)

| No. | C-<br>ons | Le-<br>vel | Parts No. | Replacement | Supply Code | Parts name            | Qty | R-<br>ep.<br>Q-<br>TY | Status | Spec | Remarks |
|-----|-----------|------------|-----------|-------------|-------------|-----------------------|-----|-----------------------|--------|------|---------|
| 1   |           |            | 70000397  |             |             | DUCT COMB.            | 1   |                       |        |      |         |
| 2   |           | *          | 70000172  |             |             | PLUG                  | 2   |                       |        |      |         |
| 3   |           | *          | 70000396  |             |             | DUCT                  | 1   |                       |        |      |         |
| 4   |           |            | 70000398  |             |             | FIXED PLATE           | 2   |                       |        |      |         |
| 5   |           |            | 70000359  |             |             | WASHER                | 2   |                       |        |      |         |
| 6   |           |            | 70000387  |             |             | THREAD GUIDE PLATE    | 1   |                       |        |      |         |
| 7   |           |            | 70000519  |             |             | E_SCREW               | 1   |                       |        |      |         |
| 8   |           |            | 70000576  |             |             | M_SCREW               | 1   |                       |        |      |         |
| 9   |           |            | 70000384  |             |             | THREAD CROSSING       | 1   |                       |        |      |         |
| 10  |           |            | 70000513  |             |             | E_SCREW               | 1   |                       |        |      |         |
| 11  |           |            | 70000391  |             |             | THREAD TAKE-UP DEVICE | 1   |                       |        |      |         |
| 12  |           | *          | 70000392  |             |             | THREAD GRIP           | 2   |                       |        |      |         |
| 13  |           | *          | 70000393  |             |             | THREAD TENSION KNOB   | 1   |                       |        |      |         |
| 14  |           | *          | 70000394  |             |             | SPRING                | 1   |                       |        |      |         |
| 15  |           | *          | 70000395  |             |             | THREAD TENSION SHAFT  | 1   |                       |        |      |         |
| 16  |           | *          | 70000388  |             |             | BRACKET               | 1   |                       |        |      |         |
| 17  |           | *          | 70000389  |             |             | THREAD GUIDE PLATE    | 1   |                       |        |      |         |
| 18  |           | *          | 70000390  |             |             | THREAD GUIDE PLATE    | 1   |                       |        |      |         |
| 19  |           | *          | 70000571  |             |             | M_SCREW               | 2   |                       |        |      |         |
| 20  |           | *          | 70000452  |             |             | NUT                   | 1   |                       |        |      |         |
| 21  |           |            | 70000557  |             |             | E_SCREW               | 1   |                       |        |      |         |
| 22  |           |            | 70000383  |             |             | THREAD GUIDE PLATE    | 1   |                       |        |      |         |
| 23  |           |            | 70000448  |             |             | SPRING PLATE          | 1   |                       |        |      |         |
| 24  |           |            | 70000386  |             |             | THREAD TENSION CAM    | 1   |                       |        |      |         |
| 25  |           | *          | 70000385  |             |             | THREAD TENSION CAM    | 1   |                       |        |      |         |
| 26  |           | *          | 70000498  |             |             | E_SCREW               | 2   |                       |        |      |         |
| 27  |           |            | 70000453  |             |             | NUT                   | 1   |                       |        |      |         |
| 28  |           | *          | 70000452  |             |             | NUT                   | 1   |                       |        |      |         |
| 29  |           | *          | 70000563  |             |             | E_SCREW               | 1   |                       |        |      |         |
| 30  |           |            | 70000518  |             |             | E_SCREW               | 1   |                       |        |      |         |
| 31  |           |            | 70000610  |             |             | FIXED PLATE           | 1   |                       |        |      |         |



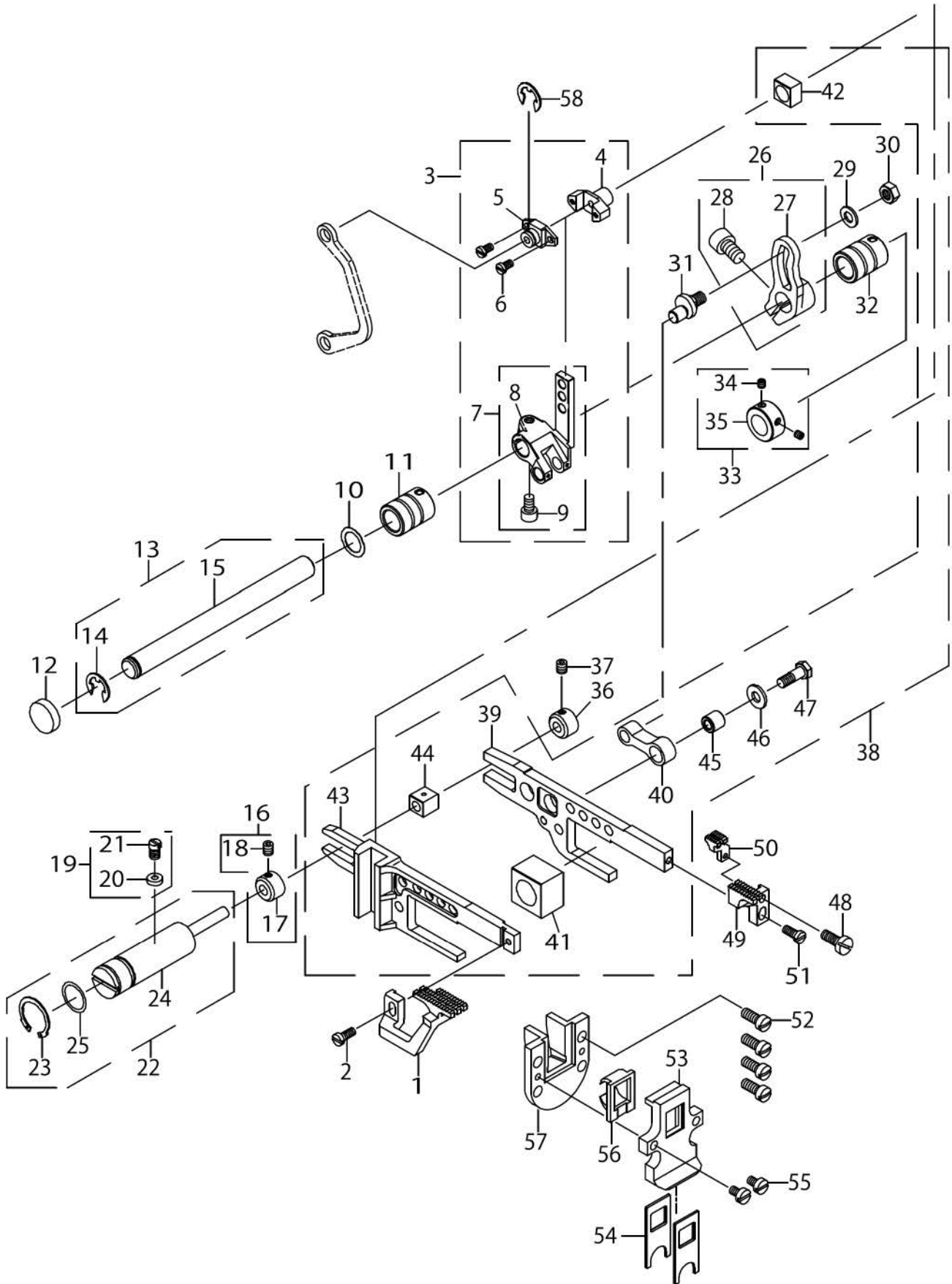
FEED MECHANISM COMPONENTS (1)



FEED MECHANISM COMPONENTS (1)

| No. | C-<br>ons | Le-<br>vel | Parts No. | Replacement | Supply Code | Parts name            | Qty | R-<br>ep.<br>Q-<br>TY | Status | Spec | Remarks |
|-----|-----------|------------|-----------|-------------|-------------|-----------------------|-----|-----------------------|--------|------|---------|
| 1   |           |            | 40159707  |             |             | FEED DOG SEAT COMB.   | 1   |                       |        |      |         |
| 2   |           | *          | 70000140  |             |             | O-RING                | 1   |                       |        |      |         |
| 3   |           | *          | 70000344  |             |             | GASKET                | 2   |                       |        |      |         |
| 4   |           | *          | 70000345  |             |             | WASHER                | 1   |                       |        |      |         |
| 5   |           | *          | 70000349  |             |             | WASHER                | 2   |                       |        |      |         |
| 6   |           | *          | 70000372  |             |             | FIXED BLOCK           | 2   |                       |        |      |         |
| 7   |           | *          | 70000373  |             |             | ADJUSTING SEAT        | 1   |                       |        |      |         |
| 8   |           | *          | 70000379  |             |             | ADJUSTING PLATE       | 1   |                       |        |      |         |
| 9   |           | *          | 70000450  |             |             | NUT                   | 1   |                       |        |      |         |
| 10  |           | *          | 70000495  |             |             | SCREW                 | 1   |                       |        |      |         |
| 11  |           | *          | 70000542  |             |             | E_SCREW               | 1   |                       |        |      |         |
| 12  |           | *          | 70000601  |             |             | SPRING                | 1   |                       |        |      |         |
| 13  |           | *          | 70000512  |             |             | E_SCREW               | 2   |                       |        |      |         |
| 14  |           | *          | 70000131  |             |             | E_CIRCLIPS            | 1   |                       |        |      |         |
| 15  |           | *          | 70000353  |             |             | WASHER                | 1   |                       |        |      |         |
| 16  |           | *          | 40159702  |             |             | SPACER                | 2   |                       |        |      |         |
| 17  |           | *          | 40159703  |             |             | ADJUSTING SCREW       | 1   |                       |        |      |         |
| 18  |           | *          | 40159704  |             |             | SPRING                | 1   |                       |        |      |         |
| 19  |           | *          | 40159705  |             |             | BLOCK                 | 1   |                       |        |      |         |
| 20  |           | *          | 40159706  |             |             | FEED DOG SEAT         | 1   |                       |        |      |         |
| 21  |           |            | 70000523  |             |             | E_SCREW               | 2   |                       |        |      |         |
| 22  |           |            | 70000370  |             |             | DIFFERENTIAL CONNECTI | 1   |                       |        |      |         |
| 23  |           | *          | 70000369  |             |             | DIFFERENTIAL CONNECTI | 1   |                       |        |      |         |
| 24  |           | *          | 70000590  |             |             | M_SCREW               | 1   |                       |        |      |         |
| 25  |           |            | 40159700  |             |             | BUSHING               | 1   |                       |        |      |         |
| 26  |           |            | 70000552  |             |             | E_SCREW               | 1   |                       |        |      |         |
| 27  |           |            | 40159701  |             |             | CONNECTING ROD        | 1   |                       |        |      |         |
| 28  |           |            | 70000276  |             |             | ADJUSTING WHEEL       | 1   |                       |        |      |         |
| 29  |           | *          | 70000275  |             |             | ADJUSTING WHEEL       | 1   |                       |        |      |         |
| 30  |           | *          | 70000582  |             |             | M_SCREW               | 2   |                       |        |      |         |
| 31  |           | *          | 70000666  |             |             | PIN                   | 1   |                       |        |      |         |
| 32  |           |            | 40159709  |             |             | CONNECTING ROD COMB.  | 1   |                       |        |      |         |
| 33  |           | *          | 70000162  |             |             | SPRING PLATE          | 1   |                       |        |      |         |
| 34  |           | *          | 70000277  |             |             | CONNECTING ROD        | 1   |                       |        |      |         |
| 35  |           | *          | 70000602  |             |             | SPRING                | 1   |                       |        |      |         |
| 36  |           | *          | 70000662  |             |             | PIN                   | 1   |                       |        |      |         |
| 37  |           | *          | 70000698  |             |             | BEARING               | 1   |                       |        |      |         |
| 38  |           | *          | 40159629  |             |             | M_SCREW               | 1   |                       |        |      |         |
| 39  |           | *          | 70000503  |             |             | E_SCREW               | 1   |                       |        |      |         |
| 40  |           | *          | 70000282  |             |             | ECCENTRIC             | 1   |                       |        |      |         |
| 41  |           | *          | 70000665  |             |             | PIN                   | 2   |                       |        |      |         |
| 42  |           | *          | 70000289  |             |             | ECCENTRIC             | 1   |                       |        |      |         |
| 43  |           | *          | 70000288  |             |             | ECCENTRIC             | 1   |                       |        |      |         |
| 44  |           | *          | 70000502  |             |             | E_SCREW               | 2   |                       |        |      |         |
| 45  |           | *          | 70000741  |             |             | ADJUSTING WHEEL COMB  | 1   |                       |        |      |         |
| 46  |           | *          | 70000740  |             |             | ADJUSTING WHEEL       | 1   |                       |        |      |         |
| 47  |           | *          | 70000583  |             |             | M_SCREW               | 1   |                       |        |      |         |
| 48  |           | *          | 70000738  |             | Discontinue | SLIDE BLOCK           | 1   |                       |        |      |         |
| 49  |           | *          | 70000739  |             |             | ADJUSTING WHEEL       | 1   |                       |        |      |         |
| 50  |           | *          | 70000582  |             |             | M_SCREW               | 1   |                       |        |      |         |
| 51  |           | *          | 70000694  |             | Discontinue | BEARING               | 1   |                       |        |      |         |
| 52  |           |            | 70000284  |             |             | SHAFT COMB.           | 1   |                       |        |      |         |
| 53  |           | *          | 70000137  |             |             | O-RING                | 1   |                       |        |      |         |
| 54  |           | *          | 70000286  |             |             | SHAFT                 | 1   |                       |        |      |         |
| 55  |           | *          | 70000283  |             |             | SHAFT                 | 1   |                       |        |      |         |
| 56  |           | *          | 70000131  |             |             | E_CIRCLIPS            | 1   |                       |        |      |         |
| 57  |           | *          | 70000358  |             |             | WASHER                | 1   |                       |        |      |         |
| 58  |           | *          | 70000600  |             |             | SPRING                | 1   |                       |        |      |         |

FEED MECHANISM COMPONENTS (2)

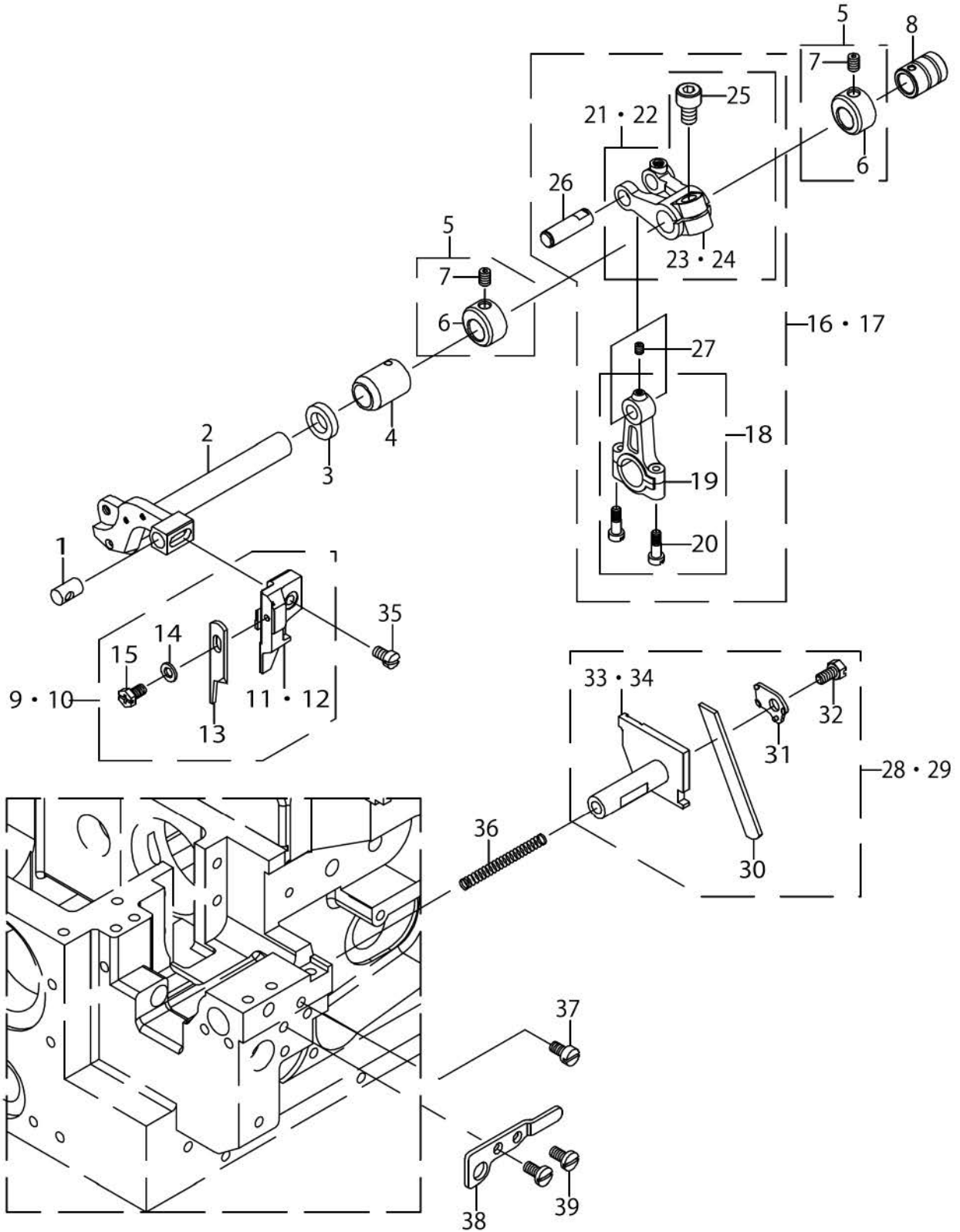


FEED MECHANISM COMPONENTS (2)

| No. | C-<br>ons | Le-<br>vel | Parts No. | Replacement | Supply Code | Parts name           | Qty | R-<br>ep.<br>Q-<br>TY | Status | Spec | Remarks       |
|-----|-----------|------------|-----------|-------------|-------------|----------------------|-----|-----------------------|--------|------|---------------|
| 1   |           |            | *****     |             |             | FEED DOG             | 1   |                       |        |      | REFER "MO-680 |
| 2   |           |            | 70000509  |             |             | E_SCREW              | 1   |                       |        |      |               |
| 3   |           |            | 70000683  |             |             | CRANK COMB.          | 1   |                       |        |      |               |
| 4   |           | *          | 70000374  |             |             | ROCKING SEAT         | 1   |                       |        |      |               |
| 5   |           | *          | 70000375  |             |             | ROCKING SEAT         | 1   |                       |        |      |               |
| 6   |           | *          | 70000558  |             |             | E_SCREW              | 2   |                       |        |      |               |
| 7   |           | *          | 70000684  |             |             | CRANK                | 1   |                       |        |      |               |
| 8   |           | *          | 70000681  |             |             | CRANK                | 1   |                       |        |      |               |
| 9   |           | *          | 70000590  |             |             | M_SCREW              | 1   |                       |        |      |               |
| 10  |           |            | 70000361  |             |             | WASHER               | 1   |                       |        |      |               |
| 11  |           |            | 70000280  |             |             | BUSHING              | 1   |                       |        |      |               |
| 12  |           |            | 70000446  |             |             | OIL SEAL             | 1   |                       |        |      |               |
| 13  |           |            | 40159717  |             |             | ECCENTRIC SHAFT COMB | 1   |                       |        |      |               |
| 14  |           | *          | 70000133  |             |             | E_CIRCLIPS           | 1   |                       |        |      |               |
| 15  |           | *          | 40159716  |             |             | ECCENTRIC SHAFT      | 1   |                       |        |      |               |
| 16  |           |            | 70000435  |             |             | COLLAR               | 1   |                       |        |      |               |
| 17  |           | *          | 70000433  |             | Disconinue  | COLLAR               | 1   |                       |        |      |               |
| 18  |           | *          | 70000522  |             |             | E_SCREW              | 1   |                       |        |      |               |
| 19  |           |            | 70000147  |             |             | OIL SEAL COMB.       | 1   |                       |        |      |               |
| 20  |           | *          | 70000138  |             |             | OIL SEAL             | 1   |                       |        |      |               |
| 21  |           | *          | 70000548  |             |             | E_SCREW              | 1   |                       |        |      |               |
| 22  |           |            | 70000734  |             |             | ECCENTRIC SHAFT      | 1   |                       |        |      |               |
| 23  |           | *          | 70000135  |             |             | E_CIRCLIPS           | 1   |                       |        |      |               |
| 24  |           | *          | 70000733  |             |             | ECCENTRIC SHAFT      | 1   |                       |        |      |               |
| 25  |           | *          | 70000141  |             |             | O-RING               | 1   |                       |        |      |               |
| 26  |           |            | 70000685  |             |             | CRANK                | 1   |                       |        |      |               |
| 27  |           | *          | 70000682  |             |             | CRANK                | 1   |                       |        |      |               |
| 28  |           | *          | 70000590  |             |             | M_SCREW              | 1   |                       |        |      |               |
| 29  |           |            | 70000356  |             |             | WASHER               | 1   |                       |        |      |               |
| 30  |           |            | 70000458  |             |             | NUT                  | 1   |                       |        |      |               |
| 31  |           |            | 70000688  |             |             | ADJUSTING SHAFT      | 1   |                       |        |      |               |
| 32  |           |            | 70000410  |             |             | BUSHING              | 1   |                       |        |      |               |
| 33  |           |            | 40159676  |             |             | COLLAR               | 1   |                       |        |      |               |
| 34  |           | *          | 70000522  |             |             | E_SCREW              | 2   |                       |        |      |               |
| 35  |           | *          | 40159715  |             |             | COLLAR               | 1   |                       |        |      |               |
| 36  |           |            | 70000433  |             | Disconinue  | COLLAR               | 1   |                       |        |      |               |
| 37  |           |            | 70000522  |             |             | E_SCREW              | 1   |                       |        |      |               |
| 38  |           |            | 70000731  |             |             | FEED DOG SEAT COMB.  | 1   |                       |        |      |               |
| 39  |           | *          | 70000422  |             |             | FEED DOG SEAT        | 1   |                       |        |      |               |
| 40  |           | *          | 70000423  |             |             | CONNECTING ROD       | 1   |                       |        |      |               |
| 41  |           | *          | 70000429  |             | 70000731    | SLIDE BLOCK          | 1   | 1.00                  |        |      |               |
| 42  |           | *          | 70000686  |             | 70000731    | SLIDE BLOCK          | 1   | 1.00                  |        |      |               |
| 43  |           | *          | 70000689  |             | 70000731    | FEED DOG SEAT        | 1   | 1.00                  |        |      |               |
| 44  |           | *          | 70000732  |             |             | SLIDE BLOCK          | 1   |                       |        |      |               |
| 45  |           | *          | 70000317  |             |             | BUSHING              | 1   |                       |        |      |               |
| 46  |           | *          | 70000346  |             |             | GASKET               | 1   |                       |        |      |               |
| 47  |           | *          | 70000514  |             |             | E_SCREW              | 1   |                       |        |      |               |
| 48  |           |            | 70000572  |             |             | M_SCREW              | 1   |                       |        |      |               |
| 49  |           |            | *****     |             |             | FEED DOG             | 1   |                       |        |      | REFER "MO-680 |
| 50  |           |            | *****     |             |             | FEED DOG             | 1   |                       |        |      | REFER "MO-680 |
| 51  |           |            | 70000509  |             |             | E_SCREW              | 1   |                       |        |      |               |
| 52  |           |            | 70000530  |             |             | E_SCREW              | 4   |                       |        |      |               |
| 53  |           |            | 70000151  |             |             | OIL SCRAPER HOLDER   | 1   |                       |        |      |               |
| 54  |           |            | 70000152  |             |             | OIL SEAL             | 2   |                       |        |      |               |
| 55  |           |            | 70000508  |             |             | E_SCREW              | 2   |                       |        |      |               |
| 56  |           |            | 40159718  |             |             | OIL SEAL             | 1   |                       |        |      |               |
| 57  |           |            | 40159719  |             |             | SLIDE BLOCK          | 1   |                       |        |      |               |
| 58  |           |            | 70000132  |             |             | E_CIRCLIPS           | 1   |                       |        |      |               |



| MODEL    | 04S/14S | 16S/43S |
|----------|---------|---------|
| PARTS NO | 23      | 24      |
|          | 21      | 22      |
|          | 16      | 17      |
|          | 11      | 12      |
|          | 9       | 10      |
|          | 33      | 34      |
|          | 28      | 29      |



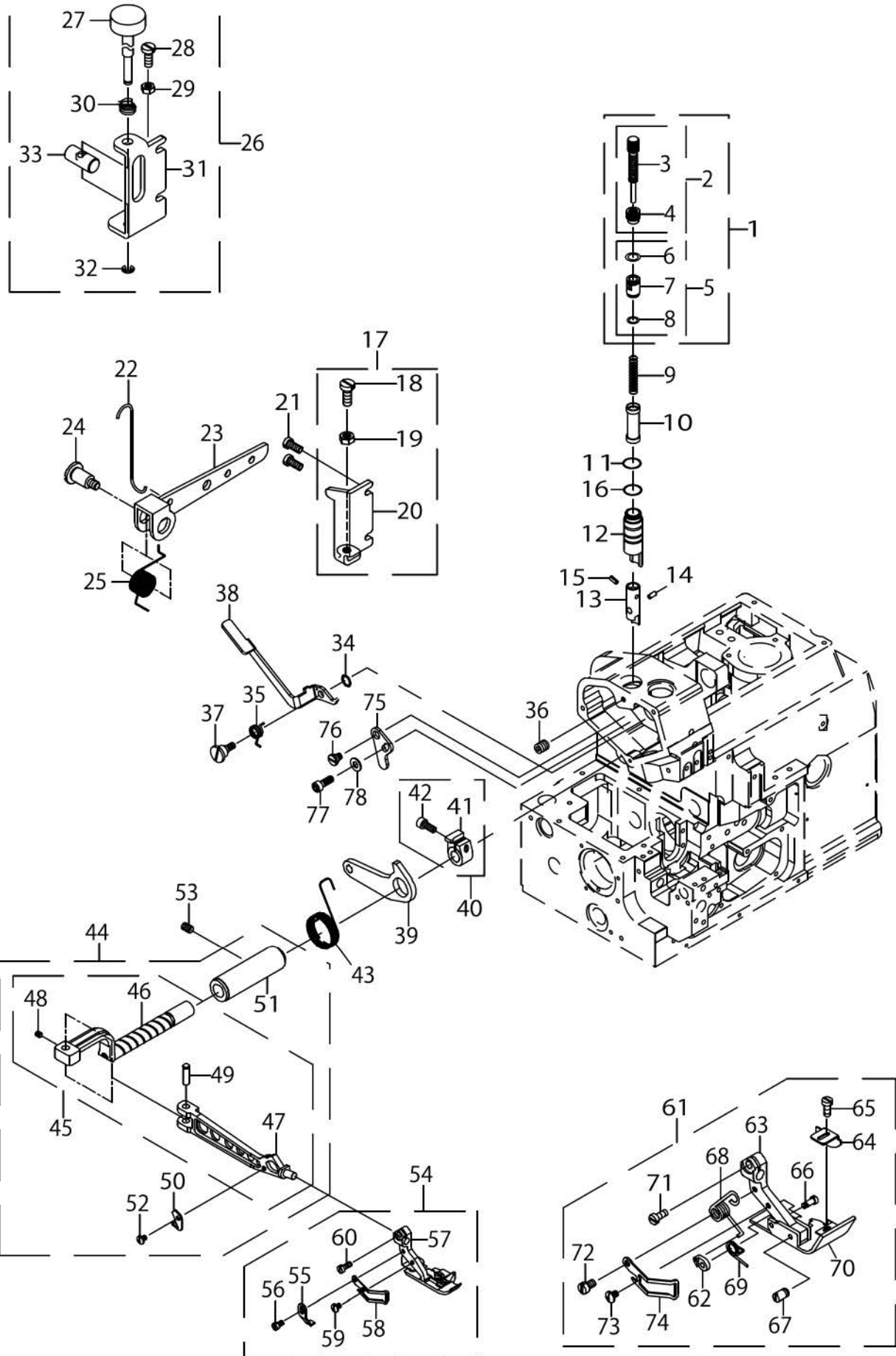


KNIFE COMPONENTS

| No. | C-<br>ons | Le-<br>vel | Parts No. | Replacement | Supply Code | Parts name        | Qty | R-<br>ep.<br>Q-<br>TY | Status | Spec | Remarks     |
|-----|-----------|------------|-----------|-------------|-------------|-------------------|-----|-----------------------|--------|------|-------------|
| 1   |           |            | 70000230  |             |             | SHAFT             | 1   |                       |        |      |             |
| 2   |           |            | 70000235  |             |             | SWING AXLE        | 1   |                       |        |      |             |
| 3   |           |            | 70000269  |             |             | OIL SEAL          | 1   |                       |        |      |             |
| 4   |           |            | 70000237  |             |             | BUSHING           | 1   |                       |        |      |             |
| 5   |           |            | 70000436  |             |             | COLLAR            | 2   |                       |        |      |             |
| 6   |           | *          | 70000434  |             |             | COLLAR            | 2   |                       |        |      |             |
| 7   |           | *          | 70000522  |             |             | E_SCREW           | 2   |                       |        |      |             |
| 8   |           |            | 70000236  |             |             | BUSHING           | 1   |                       |        |      |             |
| 9   |           |            | 40178003  |             |             | KNIFE SEAT COMB.  | 1   |                       |        |      | FOR 04S,14S |
| 10  |           |            | 40159734  |             |             | KNIFE SEAT COMB   | 1   |                       |        |      | FOR 16S,43S |
| 11  |           | *          | 40172528  |             |             | KNIFE SEAT        | 1   |                       |        |      | FOR 04S,14S |
| 12  |           | *          | 40172529  |             |             | KNIFE SEAT        | 1   |                       |        |      | FOR 16S,43S |
| 13  |           | *          | 70000229  |             |             | KNIFE             | 1   |                       |        |      |             |
| 14  |           | *          | 70000347  |             |             | GASKET            | 1   |                       |        |      |             |
| 15  |           | *          | 70000510  |             |             | E_SCREW           | 1   |                       |        |      |             |
| 16  |           |            | 40159729  |             |             | CONNECTING ROD    | 1   |                       |        |      | FOR 04S,14S |
| 17  |           |            | 40159732  |             |             | CONNECTING ROD    | 1   |                       |        |      | FOR 16S,43S |
| 18  |           | *          | 40159728  |             | Disconinue  | CONNECTING ROD    | 1   |                       |        |      |             |
| 19  |           | *          | 40159727  |             |             | CONNECTING ROD    | 1   |                       |        |      |             |
| 20  |           | *          | 70000578  |             |             | M_SCREW           | 2   |                       |        |      |             |
| 21  |           | *          | 70000721  |             |             | ROCKING BAR       | 1   |                       |        |      | FOR 04S,14S |
| 22  |           | *          | 70000842  |             |             | ROCKING BAR COMB. | 1   |                       |        |      | FOR 16S,43S |
| 23  |           | *          | 70000720  |             |             | ROCKING BAR       | 1   |                       |        |      | FOR 04S,14S |
| 24  |           | *          | 70000841  |             |             | ROCKING BAR       | 1   |                       |        |      | FOR 16S,43S |
| 25  |           | *          | 70000590  |             |             | M_SCREW           | 1   |                       |        |      |             |
| 26  |           | *          | 40159726  |             |             | PIN               | 1   |                       |        |      |             |
| 27  |           | *          | 70000522  |             |             | E_SCREW           | 1   |                       |        |      |             |
| 28  |           |            | 70000402  |             |             | KNIFE SEAT COMB.  | 1   |                       |        |      | FOR 04S,14S |
| 29  |           |            | 70000845  |             |             | KNIFE SEAT COMB.  | 1   |                       |        |      | FOR 16S,43S |
| 30  |           | *          | 70000399  |             |             | KNIFE             | 1   |                       |        |      |             |
| 31  |           | *          | 70000400  |             |             | FIXED PLATE       | 1   |                       |        |      |             |
| 32  |           | *          | 70000517  |             |             | E_SCREW           | 1   |                       |        |      |             |
| 33  |           | *          | 70000403  |             |             | KNIFE SEAT        | 1   |                       |        |      | FOR 04S,14S |
| 34  |           | *          | 70000813  |             |             | KNIFE SEAT        | 1   |                       |        |      | FOR 16S,43S |
| 35  |           |            | 70000521  |             |             | E_SCREW           | 1   |                       |        |      |             |
| 36  |           |            | 70000603  |             |             | SPRING            | 1   |                       |        |      |             |
| 37  |           |            | 70000524  |             |             | E_SCREW           | 1   |                       |        |      |             |
| 38  |           |            | 70000401  |             |             | FIXED PLATE       | 1   |                       |        |      |             |
| 39  |           |            | 70000515  |             |             | E_SCREW           | 2   |                       |        |      |             |

From the library of: Diamond Needle Corp

PRESSER FOOT COMPONENTS



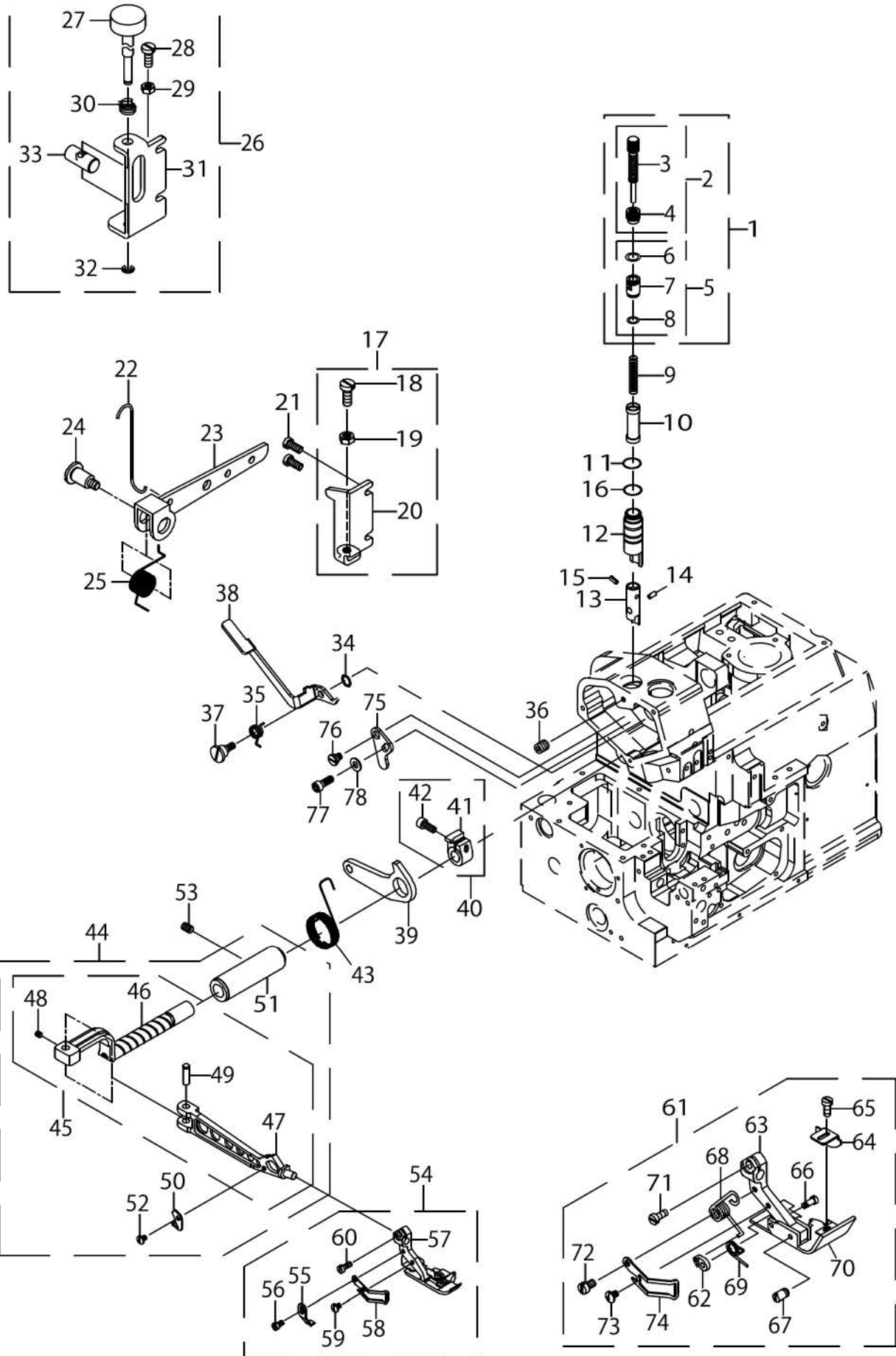
From the library of: Diamond Needle Corp

PRESSER FOOT COMPONENTS

| No. | C-<br>ons | Le-<br>vel | Parts No. | Replacement | Supply Code | Parts name             | Qty | R-<br>ep.<br>Q-<br>TY | Status | Spec | Remarks       |
|-----|-----------|------------|-----------|-------------|-------------|------------------------|-----|-----------------------|--------|------|---------------|
| 1   |           |            | 40159745  |             |             | SCREW ROD COMB.        | 1   |                       |        |      |               |
| 2   |           | *          | 40159746  |             |             | SCREW ROD COMB.        | 1   |                       |        |      |               |
| 3   |           | *          | 40159741  |             |             | SCREW ROD              | 1   |                       |        |      |               |
| 4   |           | *          | 40159742  |             | Discontinue | NUT                    | 1   |                       |        |      |               |
| 5   |           | *          | 40159744  |             |             | FIXED BUTTON           | 1   |                       |        |      |               |
| 6   |           | *          | 70000141  |             |             | O-RING                 | 1   |                       |        |      |               |
| 7   |           | *          | 40159743  |             |             | FIXED BUTTON           | 1   |                       |        |      |               |
| 8   |           | *          | 70000142  |             |             | O-RING                 | 1   |                       |        |      |               |
| 9   |           |            | 70000608  |             |             | SPRING                 | 1   |                       |        |      |               |
| 10  |           |            | 40159753  |             |             | THIMBLE                | 1   |                       |        |      |               |
| 11  |           |            | 70000142  |             |             | O-RING                 | 1   |                       |        |      |               |
| 12  |           |            | 40170670  |             |             | PRESSER FOOT ARM       | 1   |                       |        |      |               |
| 13  |           |            | 70000309  |             |             | SLIDER                 | 1   |                       |        |      |               |
| 14  |           |            | 70000664  |             |             | SHAFT                  | 1   |                       |        |      |               |
| 15  |           |            | 70000669  |             |             | PIN                    | 1   |                       |        |      |               |
| 16  |           |            | 70000141  |             |             | O-RING                 | 1   |                       |        |      |               |
| 17  |           |            | 70000293  |             |             | SUPPORTER              | 1   |                       |        |      |               |
| 18  |           | *          | 70000584  |             |             | M_SCREW                | 1   |                       |        |      |               |
| 19  |           | *          | 70000458  |             |             | NUT                    | 1   |                       |        |      |               |
| 20  |           | *          | 70000292  |             |             | STOPPER                | 1   |                       |        |      |               |
| 21  |           |            | 70000515  |             |             | E_SCREW                | 2   |                       |        |      |               |
| 22  |           |            | 70000294  |             |             | HOOK BAR               | 1   |                       |        |      |               |
| 23  |           |            | 70000295  |             |             | PRESSER FOOT ARM       | 1   |                       |        |      |               |
| 24  |           |            | 70000592  |             |             | M_SCREW                | 1   |                       |        |      |               |
| 25  |           |            | 70000604  |             |             | SPRING                 | 1   |                       |        |      |               |
| 26  |           |            | 40159749  |             |             | SUPPORTER              | 1   |                       |        |      | OPTIONAL PAR  |
| 27  |           | *          | 40159703  |             |             | ADJUSTING SCREW        | 1   |                       |        |      |               |
| 28  |           | *          | 70000584  |             |             | M_SCREW                | 1   |                       |        |      |               |
| 29  |           | *          | 70000458  |             |             | NUT                    | 1   |                       |        |      |               |
| 30  |           | *          | 40159704  |             |             | SPRING                 | 1   |                       |        |      |               |
| 31  |           | *          | 40159748  |             |             | STOPPER                | 1   |                       |        |      |               |
| 32  |           | *          | 70000131  |             |             | E_CIRCLIPS             | 1   |                       |        |      |               |
| 33  |           | *          | 40159750  |             |             | BLOCK                  | 1   |                       |        |      |               |
| 34  |           |            | 70000355  |             |             | WASHER                 | 1   |                       |        |      |               |
| 35  |           |            | 40159754  |             |             | SPRING                 | 1   |                       |        |      |               |
| 36  |           |            | 70000522  |             |             | E_SCREW                | 1   |                       |        |      |               |
| 37  |           |            | 70000528  |             |             | E_SCREW                | 1   |                       |        |      |               |
| 38  |           |            | 40159752  |             |             | LEVER                  | 1   |                       |        |      |               |
| 39  |           |            | 70000291  |             |             | DRAG LINK              | 1   |                       |        |      |               |
| 40  |           |            | 70000302  |             |             | COLLAR                 | 1   |                       |        |      |               |
| 41  |           | *          | 70000301  |             |             | COLLAR                 | 1   |                       |        |      |               |
| 42  |           | *          | 40159751  |             |             | M_SCREW                | 1   |                       |        |      |               |
| 43  |           |            | 70000605  |             |             | SPRING                 | 1   |                       |        |      |               |
| 44  |           |            | 40178006  |             |             | PRESSER FOOT SEAT COM  | 1   |                       |        |      |               |
| 45  |           | *          | 40178007  |             |             | PRESSER BAR COMB.      | 1   |                       |        |      |               |
| 46  |           | *          | 40172530  |             |             | PRESSER FOOT LIFTING L | 1   |                       |        |      |               |
| 47  |           | *          | 70000297  |             |             | PRESSER FOOT ARM       | 1   |                       |        |      |               |
| 48  |           | *          | 70000566  |             |             | M_SCREW                | 1   |                       |        |      |               |
| 49  |           | *          | 70000673  |             |             | SHAFT                  | 1   |                       |        |      |               |
| 50  |           | *          | 70000176  |             |             | KNIFE                  | 1   |                       |        |      |               |
| 51  |           | *          | 70000303  |             |             | BUSHING                | 1   |                       |        |      |               |
| 52  |           | *          | 70000538  |             |             | E_SCREW                | 1   |                       |        |      |               |
| 53  |           |            | 70000522  |             |             | E_SCREW                | 1   |                       |        |      |               |
| 54  |           |            | *****     |             |             | PRESSER FOOT           | 1   |                       |        |      | REFER "MO-680 |
| 55  |           | *          | 70000304  |             |             | FIXED PLATE            | 1   |                       |        |      |               |
| 56  |           | *          | 70000500  |             |             | E_SCREW                | 1   |                       |        |      |               |
| 57  |           | *          | *****     |             |             | PRESSER FOOT           | 1   |                       |        |      | REFER "MO-680 |
| 58  |           | *          | 70000735  |             |             | FINGER GUARD           | 1   |                       |        |      |               |
| 59  |           | *          | 70000538  |             |             | E_SCREW                | 1   |                       |        |      |               |
| 60  |           | *          | 70000505  |             |             | E_SCREW                | 1   |                       |        |      |               |

From the library of: Diamond Needle Corp

PRESSER FOOT COMPONENTS



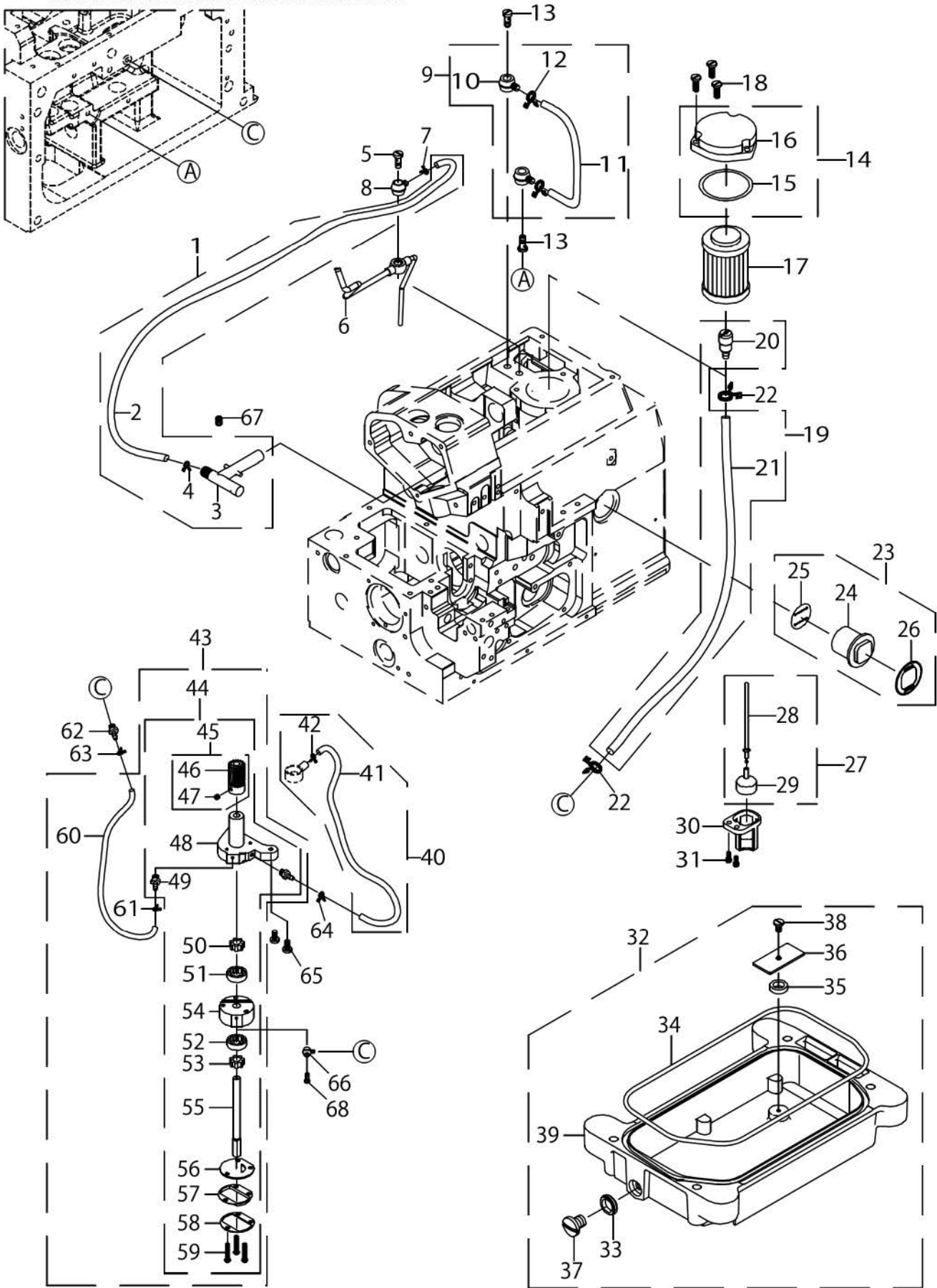
From the library of: Diamond Needle Corp

PRESSER FOOT COMPONENTS

| No. | C-<br>ons | Le-<br>vel | Parts No. | Replacement | Supply Code | Parts name             | Qty | R-<br>ep.<br>Q-<br>TY | Status | Spec | Remarks       |
|-----|-----------|------------|-----------|-------------|-------------|------------------------|-----|-----------------------|--------|------|---------------|
| 61  |           |            | *****     |             |             | PRESSER FOOT           | 1   |                       |        |      | REFER "MO-680 |
| 62  |           | *          | 70000419  |             |             | LEVER                  | 1   |                       |        |      |               |
| 63  |           | *          | 70000420  |             |             | PRESSER FOOT LIFTING L | 1   |                       |        |      |               |
| 64  |           | *          | 70000480  |             |             | THREAD GUIDE PLATE     | 1   |                       |        |      |               |
| 65  |           | *          | 70000496  |             |             | E_SCREW                | 1   |                       |        |      |               |
| 66  |           | *          | 70000499  |             |             | E_SCREW                | 1   |                       |        |      |               |
| 67  |           | *          | 70000537  |             |             | E_SCREW                | 1   |                       |        |      |               |
| 68  |           | *          | 70000606  |             |             | SPRING                 | 1   |                       |        |      |               |
| 69  |           | *          | 70000609  |             |             | SPRING                 | 1   |                       |        |      |               |
| 70  |           | *          | *****     |             |             | PRESSER FOOT           | 1   |                       |        |      | REFER "MO-680 |
| 71  |           | *          | 70000505  |             |             | E_SCREW                | 1   |                       |        |      |               |
| 72  |           | *          | 70000500  |             |             | E_SCREW                | 1   |                       |        |      |               |
| 73  |           | *          | 70000538  |             |             | E_SCREW                | 1   |                       |        |      |               |
| 74  |           | *          | 70000735  |             |             | FINGER GUARD           | 1   |                       |        |      |               |
| 75  |           |            | 40172531  |             |             | PRESSER ARM STOPPER    | 1   |                       |        |      |               |
| 76  |           |            | 40178005  |             |             | E_SCREW                | 1   |                       |        |      |               |
| 77  |           |            | 70000561  |             |             | E_SCREW                | 1   |                       |        |      |               |
| 78  |           |            | 70000349  |             |             | WASHER                 | 1   |                       |        |      |               |



LUBRICATION MECHANISM COMPONENTS

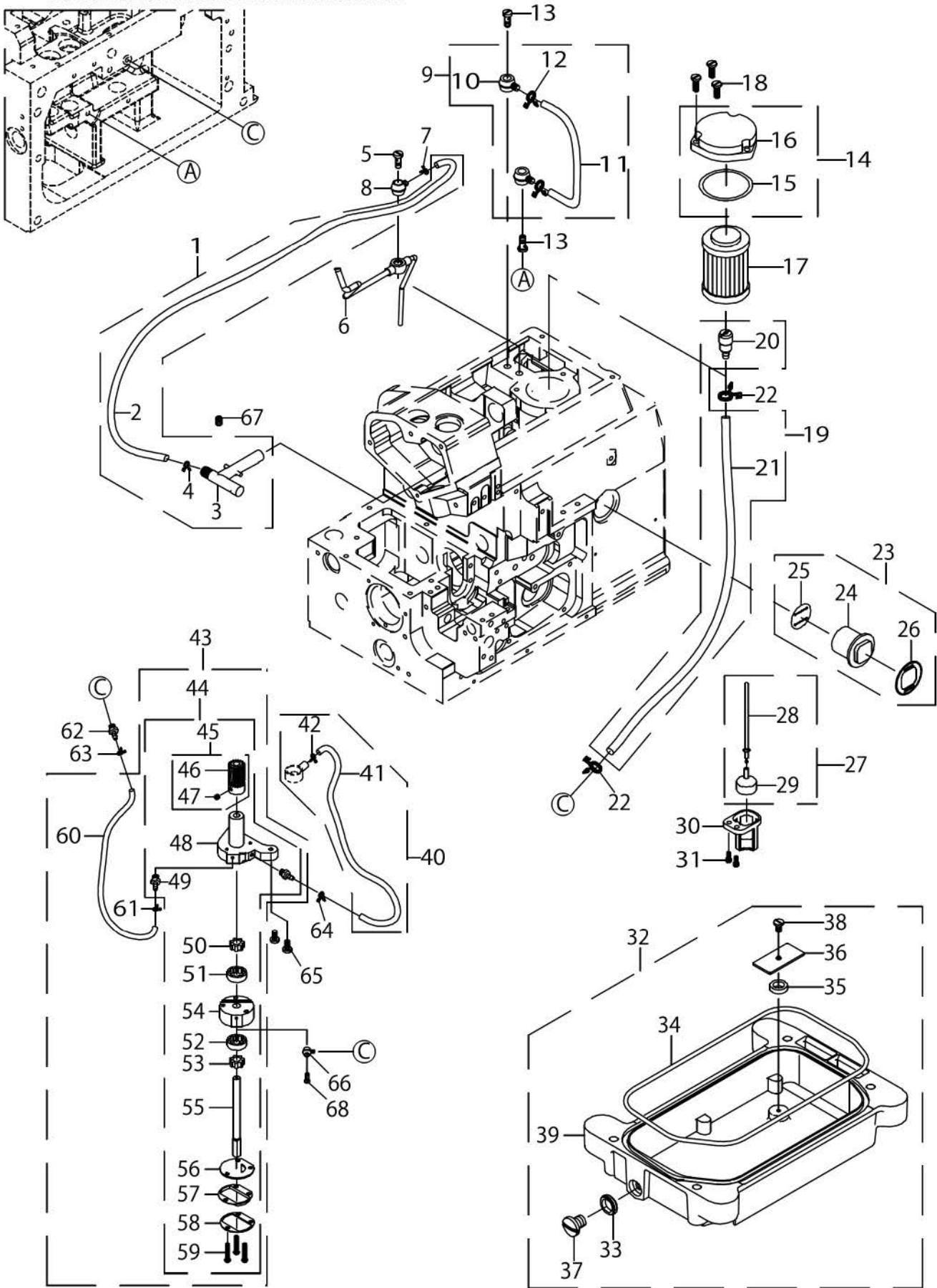


From the library of: Diamond Needle Corp

LUBRICATION MECHANISM COMPONENTS

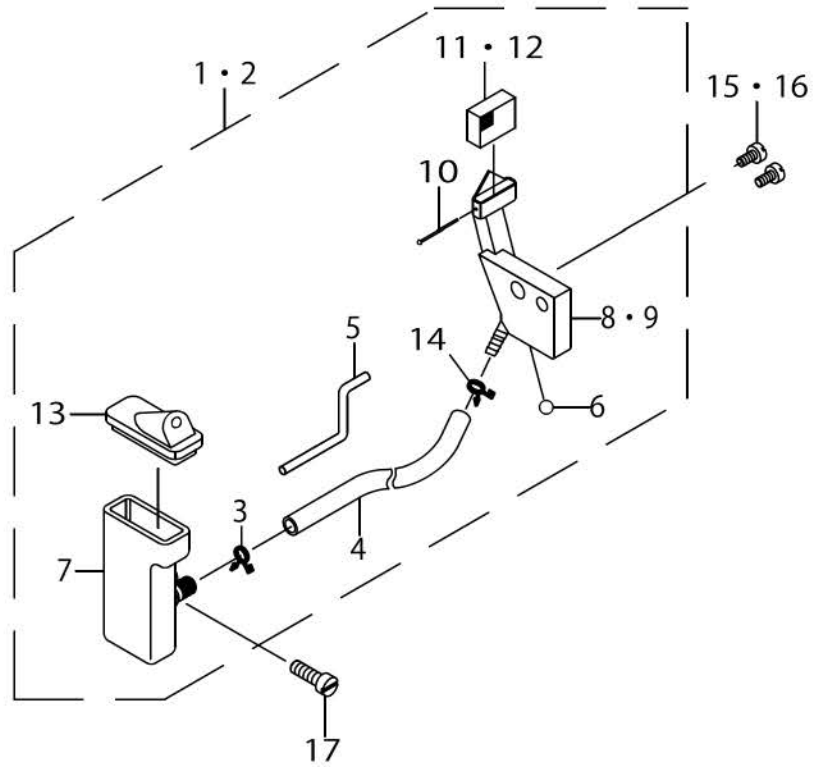
| No. | C-<br>ons | Le-<br>vel | Parts No. | Replacement | Supply Code | Parts name              | Qty | R-<br>ep.<br>Q-<br>TY | Status | Spec | Remarks |
|-----|-----------|------------|-----------|-------------|-------------|-------------------------|-----|-----------------------|--------|------|---------|
| 1   |           |            | 70000327  |             |             | OIL TUBU GROUP          | 1   |                       |        |      |         |
| 2   |           | *          | 70000326  |             |             | HOSE                    | 1   |                       |        |      |         |
| 3   |           | *          | 70000631  |             |             | OIL TUBE                | 1   |                       |        |      |         |
| 4   |           | *          | 70000658  |             |             | SPRING CLAMP            | 1   |                       |        |      |         |
| 5   |           |            | 70000534  |             |             | E_SCREW                 | 1   |                       |        |      |         |
| 6   |           |            | 70000693  |             |             | COPPER TUBE             | 1   |                       |        |      |         |
| 7   |           |            | 70000658  |             |             | SPRING CLAMP            | 1   |                       |        |      |         |
| 8   |           |            | 40159760  |             |             | JOINT                   | 1   |                       |        |      |         |
| 9   |           |            | 70000329  |             |             | HOSE COMB.              | 1   |                       |        |      |         |
| 10  |           | *          | 70000323  |             |             | JOINT                   | 2   |                       |        |      |         |
| 11  |           | *          | 70000325  |             |             | HOSE                    | 1   |                       |        |      |         |
| 12  |           | *          | 70000658  |             |             | SPRING CLAMP            | 2   |                       |        |      |         |
| 13  |           |            | 70000532  |             |             | E_SCREW                 | 2   |                       |        |      |         |
| 14  |           |            | 70000675  |             |             | OIL FILTER              | 1   |                       |        |      |         |
| 15  |           | *          | 70000144  |             |             | O-RING                  | 1   |                       |        |      |         |
| 16  |           | *          | 70000674  |             |             | OIL FILTER COVER        | 1   |                       |        |      |         |
| 17  |           |            | 70000312  |             |             | OIL FILTER              | 1   |                       |        |      |         |
| 18  |           |            | 70000520  |             |             | E_SCREW                 | 3   |                       |        |      |         |
| 19  |           |            | 70000328  |             |             | OIL TUBE COMB           | 1   |                       |        |      |         |
| 20  |           | *          | 70000428  |             |             | JOINT                   | 1   |                       |        |      |         |
| 21  |           | *          | 70000326  |             |             | HOSE                    | 1   |                       |        |      |         |
| 22  |           |            | 70000658  |             |             | SPRING CLAMP            | 2   |                       |        |      |         |
| 23  |           |            | 40159762  |             |             | OIL LEVEL INSPECTION LI | 1   |                       |        |      |         |
| 24  |           | *          | 70000157  |             |             | OIL LEVEL INSPECTION LI | 1   |                       |        |      |         |
| 25  |           | *          | 70000158  |             |             | NAME PLATE              | 1   |                       |        |      |         |
| 26  |           | *          | 40159761  |             |             | NAME PLATE              | 1   |                       |        |      |         |
| 27  |           |            | 70000160  |             |             | OIL INDICATOR ROD COM   | 1   |                       |        |      |         |
| 28  |           | *          | 70000159  |             |             | OIL INDICATOR ROD       | 1   |                       |        |      |         |
| 29  |           | *          | 70000261  |             |             | OIL INDICATOR           | 1   |                       |        |      |         |
| 30  |           |            | 70000262  |             |             | BAFFLE                  | 1   |                       |        |      |         |
| 31  |           |            | 70000521  |             |             | E_SCREW                 | 2   |                       |        |      |         |
| 32  |           |            | 40159764  |             |             | OIL RESERVOIR COMB.     | 1   |                       |        |      |         |
| 33  |           | *          | 70000146  |             |             | OIL SEAL                | 1   |                       |        |      |         |
| 34  |           | *          | 70000273  |             |             | O-RING                  | 1   |                       |        |      |         |
| 35  |           | *          | 70000381  |             |             | MAGNET                  | 1   |                       |        |      |         |
| 36  |           | *          | 70000382  |             |             | BAFFLE                  | 1   |                       |        |      |         |
| 37  |           | *          | 70000533  |             |             | E_SCREW                 | 1   |                       |        |      |         |
| 38  |           | *          | 70000518  |             |             | E_SCREW                 | 1   |                       |        |      |         |
| 39  |           | *          | 40159763  |             |             | OIL RESERVOIR COMB.     | 1   |                       |        |      |         |
| 40  |           |            | 70000267  |             |             | HOSE COMB.              | 1   |                       |        |      |         |
| 41  |           | *          | 70000318  |             |             | HOSE                    | 1   |                       |        |      |         |
| 42  |           | *          | 70000657  |             |             | SPRING CLAMP            | 1   |                       |        |      |         |
| 43  |           |            | 70000716  |             |             | PUMP COMB.              | 1   |                       |        |      |         |
| 44  |           | *          | 70000715  |             |             | PUMP COMB.              | 1   |                       |        |      |         |
| 45  |           | *          | 70000260  |             |             | GEAR                    | 1   |                       |        |      |         |
| 46  |           | *          | 70000258  |             |             | WORM WHEEL              | 1   |                       |        |      |         |
| 47  |           | *          | 70000582  |             |             | M_SCREW                 | 1   |                       |        |      |         |
| 48  |           | *          | 70000713  |             |             | PUMP BODY               | 1   |                       |        |      |         |
| 49  |           | *          | 70000322  |             |             | JOINT                   | 2   |                       |        |      |         |
| 50  |           | *          | 40159765  |             |             | GEAR                    | 1   |                       |        |      |         |
| 51  |           | *          | 70000148  |             |             | GEAR                    | 1   |                       |        |      |         |
| 52  |           | *          | 70000148  |             |             | GEAR                    | 1   |                       |        |      |         |
| 53  |           | *          | 40159765  |             |             | GEAR                    | 1   |                       |        |      |         |
| 54  |           | *          | 70000714  |             |             | PUMP BODY               | 1   |                       |        |      |         |
| 55  |           | *          | 70000712  |             |             | SHAFT                   | 1   |                       |        |      |         |
| 56  |           | *          | 70000717  |             |             | PUMP COVER              | 1   |                       |        |      |         |
| 57  |           | *          | 70000710  |             |             | FILTER NET              | 1   |                       |        |      |         |
| 58  |           | *          | 70000711  |             |             | GASKET                  | 1   |                       |        |      |         |
| 59  |           | *          | 70000575  |             |             | M_SCREW                 | 3   |                       |        |      |         |
| 60  |           | *          | 70000324  |             |             | HOSE                    | 1   |                       |        |      |         |

LUBRICATION MECHANISM COMPONENTS





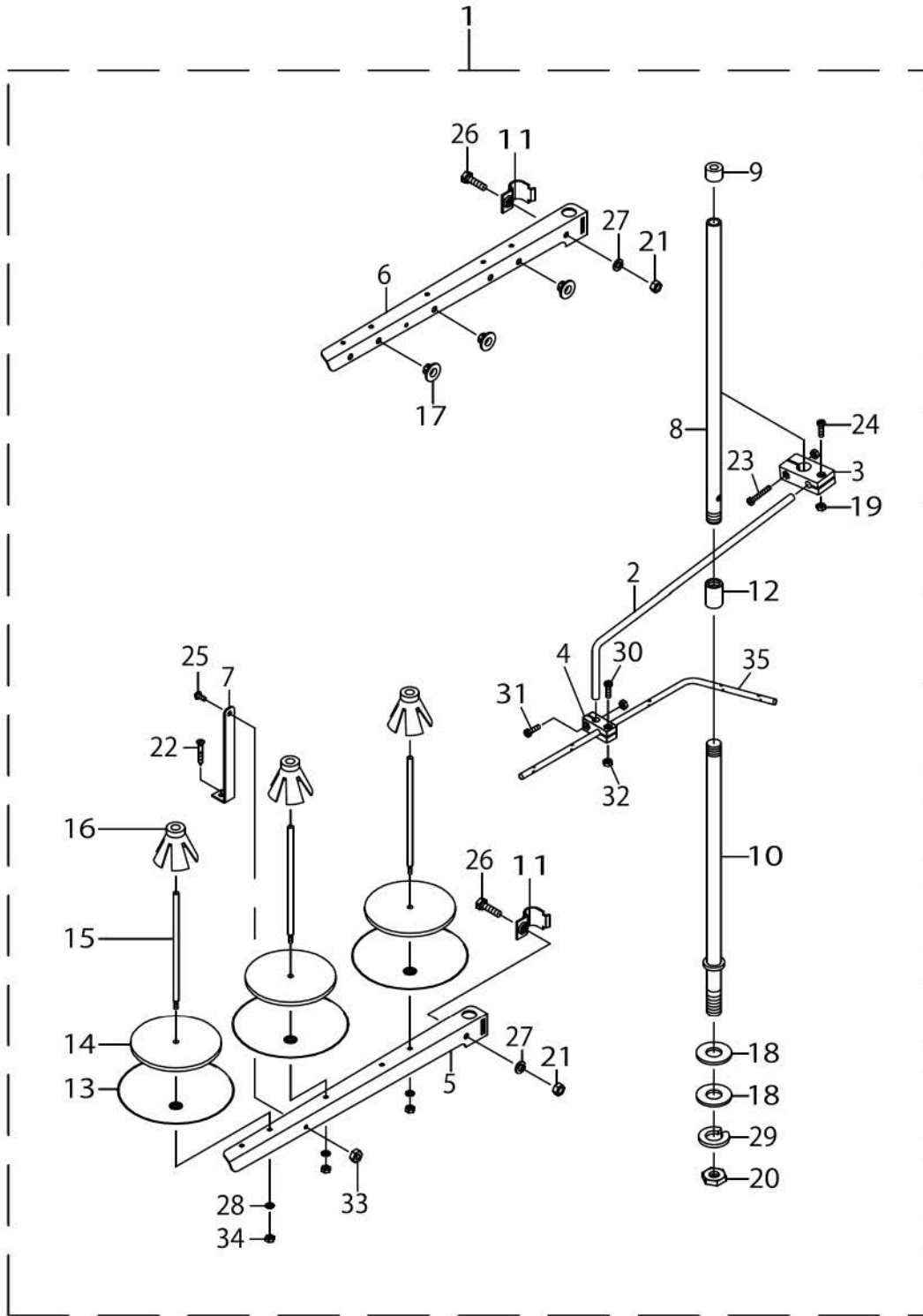
| MODEL    | 04S/14S | 16S/43S |
|----------|---------|---------|
|          | 11      | 12      |
| PARTS NO | 8       | 9       |
|          | 1       | 2       |
|          | 15      | 16      |







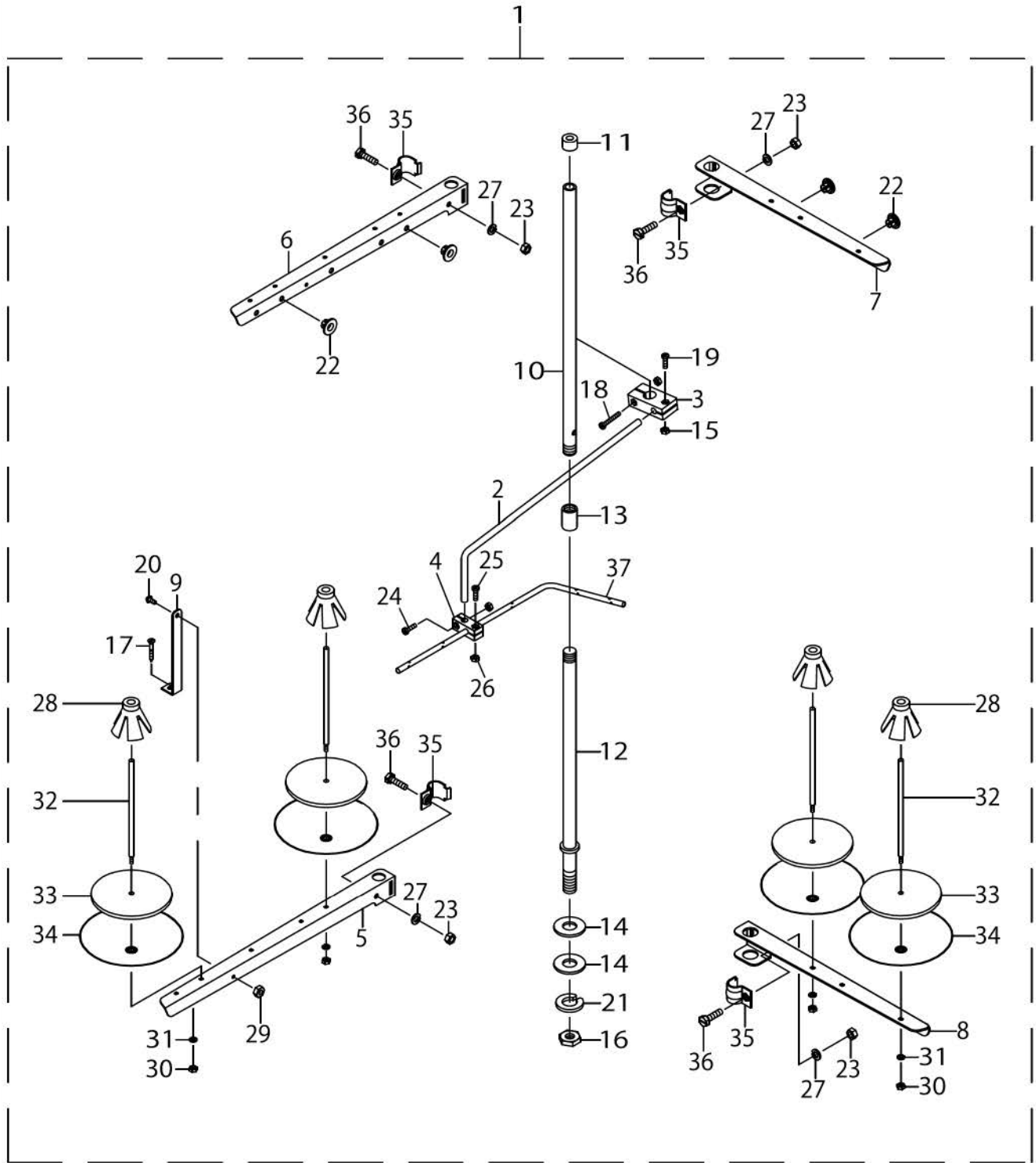
THREAD STAND COMPONENTS (FOR MO-6804S)



THREAD STAND COMPONENTS (FOR MO-6804S)

| No. | C-<br>ons | Le-<br>vel | Parts No. | Replacement | Supply Code | Parts name            | Qty | R-<br>ep.<br>Q-<br>TY | Status | Spec | Remarks |
|-----|-----------|------------|-----------|-------------|-------------|-----------------------|-----|-----------------------|--------|------|---------|
| 1   |           |            | 40179483  |             |             | THREAD STAND COMB.    | 1   |                       |        |      |         |
| 2   |           | *          | 70000179  |             |             | THREAD GUIDE BAR      | 1   |                       |        |      |         |
| 3   |           | *          | 70000180  |             |             | FIXED SEAT            | 1   |                       |        |      |         |
| 4   |           | *          | 70000181  |             |             | FIXED SEAT            | 1   |                       |        |      |         |
| 5   |           | *          | 70000182  |             |             | THREAD GUIDE BAR      | 1   |                       |        |      |         |
| 6   |           | *          | 70000183  |             |             | THREAD GUIDE BAR      | 1   |                       |        |      |         |
| 7   |           | *          | 70000186  |             |             | SUPPORTER             | 1   |                       |        |      |         |
| 8   |           | *          | 70000188  |             |             | THREAD STAND ROD      | 1   |                       |        |      |         |
| 9   |           | *          | 70000189  |             |             | THREAD STAND COVER    | 1   |                       |        |      |         |
| 10  |           | *          | 70000190  |             |             | THREAD STAND ROD      | 1   |                       |        |      |         |
| 11  |           | *          | 70000191  |             |             | FIXED PLATE           | 2   |                       |        |      |         |
| 12  |           | *          | 70000192  |             |             | CONNECTING LOOP       | 1   |                       |        |      |         |
| 13  |           | *          | 70000215  |             |             | COILING SEAT          | 3   |                       |        |      |         |
| 14  |           | *          | 70000216  |             |             | SPONGY CUSHION        | 3   |                       |        |      |         |
| 15  |           | *          | 70000217  |             |             | CONNECTING LOOP       | 3   |                       |        |      |         |
| 16  |           | *          | 70000218  |             |             | THREAD STEADY BALL SE | 3   |                       |        |      |         |
| 17  |           | *          | 70000219  |             |             | PLUG                  | 3   |                       |        |      |         |
| 18  |           | *          | 70000354  |             |             | WASHER                | 2   |                       |        |      |         |
| 19  |           | *          | 70000454  |             |             | NUT                   | 2   |                       |        |      |         |
| 20  |           | *          | 70000455  |             |             | NUT                   | 1   |                       |        |      |         |
| 21  |           | *          | 70000456  |             |             | NUT                   | 2   |                       |        |      |         |
| 22  |           | *          | 70000547  |             |             | E_SCREW               | 1   |                       |        |      |         |
| 23  |           | *          | 70000579  |             |             | M_SCREW               | 1   |                       |        |      |         |
| 24  |           | *          | 70000580  |             |             | M_SCREW               | 1   |                       |        |      |         |
| 25  |           | *          | 70000581  |             |             | M_SCREW               | 1   |                       |        |      |         |
| 26  |           | *          | 70000589  |             |             | M_SCREW               | 2   |                       |        |      |         |
| 27  |           | *          | 70000611  |             |             | WASHER                | 2   |                       |        |      |         |
| 28  |           | *          | 70000615  |             |             | WASHER                | 3   |                       |        |      |         |
| 29  |           | *          | 70000618  |             |             | WASHER                | 1   |                       |        |      |         |
| 30  |           | *          | 70000580  |             |             | M_SCREW               | 1   |                       |        |      |         |
| 31  |           | *          | 70000580  |             |             | M_SCREW               | 1   |                       |        |      |         |
| 32  |           | *          | 70000454  |             |             | NUT                   | 2   |                       |        |      |         |
| 33  |           | *          | 70000454  |             |             | NUT                   | 1   |                       |        |      |         |
| 34  |           | *          | 70000454  |             |             | NUT                   | 3   |                       |        |      |         |
| 35  |           | *          | 70000178  |             |             | THREAD GUIDE PLATE    | 1   |                       |        |      |         |

THREAD STAND COMPONENTS (FOR MO-6814S)



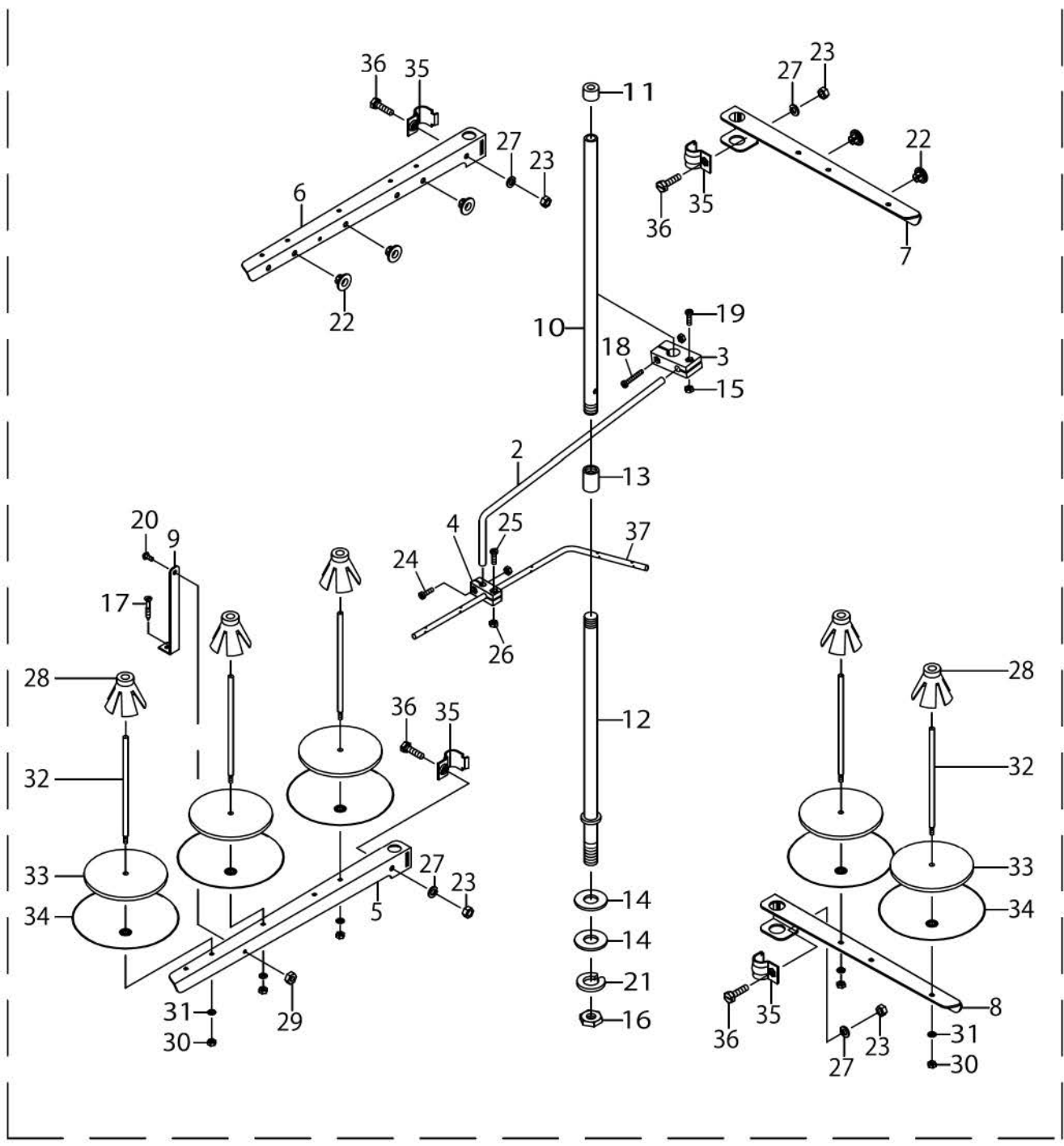
THREAD STAND COMPONENTS (FOR MO-6814S)

| No. | C-<br>ons | Le-<br>vel | Parts No. | Replacement | Supply Code | Parts name            | Qty | R-<br>ep.<br>Q-<br>TY | Status | Spec | Remarks |
|-----|-----------|------------|-----------|-------------|-------------|-----------------------|-----|-----------------------|--------|------|---------|
| 1   |           |            | 40179484  |             |             | THREAD STAND COMB.    | 1   |                       |        |      |         |
| 2   |           | *          | 70000179  |             |             | THREAD GUIDE BAR      | 1   |                       |        |      |         |
| 3   |           | *          | 70000180  |             |             | FIXED SEAT            | 1   |                       |        |      |         |
| 4   |           | *          | 70000181  |             |             | FIXED SEAT            | 1   |                       |        |      |         |
| 5   |           | *          | 70000182  |             |             | THREAD GUIDE BAR      | 1   |                       |        |      |         |
| 6   |           | *          | 70000183  |             |             | THREAD GUIDE BAR      | 1   |                       |        |      |         |
| 7   |           | *          | 70000184  |             |             | THREAD GUIDE BAR      | 1   |                       |        |      |         |
| 8   |           | *          | 70000185  |             |             | THREAD GUIDE BAR      | 1   |                       |        |      |         |
| 9   |           | *          | 70000186  |             |             | SUPPORTER             | 1   |                       |        |      |         |
| 10  |           | *          | 70000188  |             |             | THREAD STAND ROD      | 1   |                       |        |      |         |
| 11  |           | *          | 70000189  |             |             | THREAD STAND COVER    | 1   |                       |        |      |         |
| 12  |           | *          | 70000190  |             |             | THREAD STAND ROD      | 1   |                       |        |      |         |
| 13  |           | *          | 70000192  |             |             | CONNECTING LOOP       | 1   |                       |        |      |         |
| 14  |           | *          | 70000354  |             |             | WASHER                | 2   |                       |        |      |         |
| 15  |           | *          | 70000454  |             |             | NUT                   | 2   |                       |        |      |         |
| 16  |           | *          | 70000455  |             |             | NUT                   | 1   |                       |        |      |         |
| 17  |           | *          | 70000547  |             |             | E_SCREW               | 1   |                       |        |      |         |
| 18  |           | *          | 70000579  |             |             | M_SCREW               | 1   |                       |        |      |         |
| 19  |           | *          | 70000580  |             |             | M_SCREW               | 1   |                       |        |      |         |
| 20  |           | *          | 70000581  |             |             | M_SCREW               | 1   |                       |        |      |         |
| 21  |           | *          | 70000618  |             |             | WASHER                | 1   |                       |        |      |         |
| 22  |           | *          | 70000219  |             |             | PLUG                  | 4   |                       |        |      |         |
| 23  |           | *          | 70000456  |             |             | NUT                   | 4   |                       |        |      |         |
| 24  |           | *          | 70000580  |             |             | M_SCREW               | 1   |                       |        |      |         |
| 25  |           | *          | 70000580  |             |             | M_SCREW               | 1   |                       |        |      |         |
| 26  |           | *          | 70000454  |             |             | NUT                   | 2   |                       |        |      |         |
| 27  |           | *          | 70000611  |             |             | WASHER                | 4   |                       |        |      |         |
| 28  |           | *          | 70000218  |             |             | THREAD STEADY BALL SE | 4   |                       |        |      |         |
| 29  |           | *          | 70000454  |             |             | NUT                   | 1   |                       |        |      |         |
| 30  |           | *          | 70000454  |             |             | NUT                   | 4   |                       |        |      |         |
| 31  |           | *          | 70000615  |             |             | WASHER                | 4   |                       |        |      |         |
| 32  |           | *          | 70000217  |             |             | CONNECTING LOOP       | 4   |                       |        |      |         |
| 33  |           | *          | 70000216  |             |             | SPONGY CUSHION        | 4   |                       |        |      |         |
| 34  |           | *          | 70000215  |             |             | COILING SEAT          | 4   |                       |        |      |         |
| 35  |           | *          | 70000191  |             |             | FIXED PLATE           | 4   |                       |        |      |         |
| 36  |           | *          | 70000589  |             |             | M_SCREW               | 4   |                       |        |      |         |
| 37  |           | *          | 70000178  |             |             | THREAD GUIDE PLATE    | 1   |                       |        |      |         |



THREAD STAND COMPONENTS (FOR MO-6816S)

1

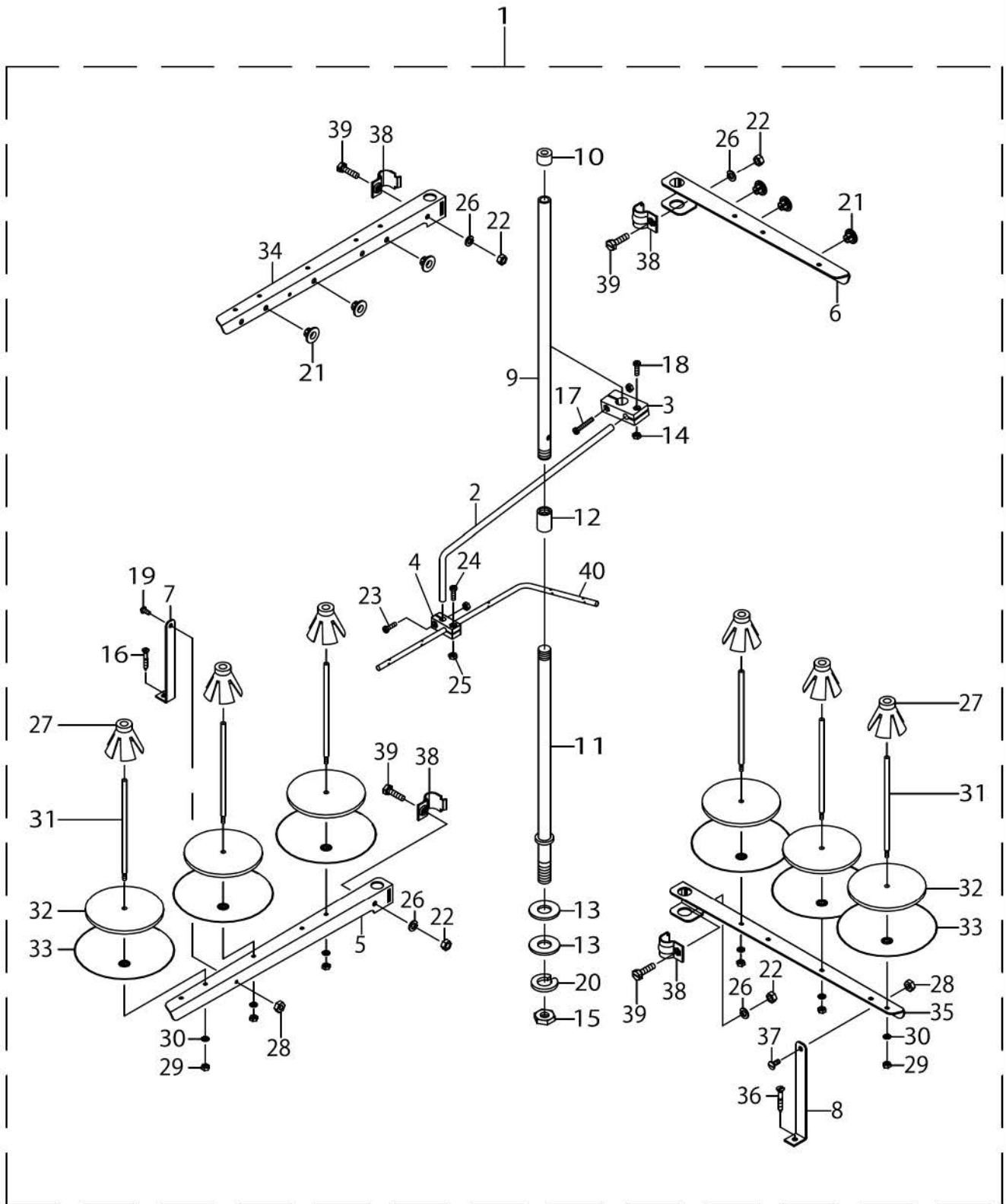


From the library of: Diamond Needle Corp

THREAD STAND COMPONENTS (FOR MO-6816S)

| No. | C-<br>ons | Le-<br>vel | Parts No. | Replacement | Supply Code | Parts name            | Qty | R-<br>ep.<br>Q-<br>TY | Status | Spec | Remarks |
|-----|-----------|------------|-----------|-------------|-------------|-----------------------|-----|-----------------------|--------|------|---------|
| 1   |           |            | 40179485  |             |             | THREAD STAND COMB.    | 1   |                       |        |      |         |
| 2   |           | *          | 70000179  |             |             | THREAD GUIDE BAR      | 1   |                       |        |      |         |
| 3   |           | *          | 70000180  |             |             | FIXED SEAT            | 1   |                       |        |      |         |
| 4   |           | *          | 70000181  |             |             | FIXED SEAT            | 1   |                       |        |      |         |
| 5   |           | *          | 70000182  |             |             | THREAD GUIDE BAR      | 1   |                       |        |      |         |
| 6   |           | *          | 70000183  |             |             | THREAD GUIDE BAR      | 1   |                       |        |      |         |
| 7   |           | *          | 70000184  |             |             | THREAD GUIDE BAR      | 1   |                       |        |      |         |
| 8   |           | *          | 70000185  |             |             | THREAD GUIDE BAR      | 1   |                       |        |      |         |
| 9   |           | *          | 70000186  |             |             | SUPPORTER             | 1   |                       |        |      |         |
| 10  |           | *          | 70000188  |             |             | THREAD STAND ROD      | 1   |                       |        |      |         |
| 11  |           | *          | 70000189  |             |             | THREAD STAND COVER    | 1   |                       |        |      |         |
| 12  |           | *          | 70000190  |             |             | THREAD STAND ROD      | 1   |                       |        |      |         |
| 13  |           | *          | 70000192  |             |             | CONNECTING LOOP       | 1   |                       |        |      |         |
| 14  |           | *          | 70000354  |             |             | WASHER                | 2   |                       |        |      |         |
| 15  |           | *          | 70000454  |             |             | NUT                   | 2   |                       |        |      |         |
| 16  |           | *          | 70000455  |             |             | NUT                   | 1   |                       |        |      |         |
| 17  |           | *          | 70000547  |             |             | E_SCREW               | 1   |                       |        |      |         |
| 18  |           | *          | 70000579  |             |             | M_SCREW               | 1   |                       |        |      |         |
| 19  |           | *          | 70000580  |             |             | M_SCREW               | 1   |                       |        |      |         |
| 20  |           | *          | 70000581  |             |             | M_SCREW               | 1   |                       |        |      |         |
| 21  |           | *          | 70000618  |             |             | WASHER                | 1   |                       |        |      |         |
| 22  |           | *          | 70000219  |             |             | PLUG                  | 5   |                       |        |      |         |
| 23  |           | *          | 70000456  |             |             | NUT                   | 4   |                       |        |      |         |
| 24  |           | *          | 70000580  |             |             | M_SCREW               | 1   |                       |        |      |         |
| 25  |           | *          | 70000580  |             |             | M_SCREW               | 1   |                       |        |      |         |
| 26  |           | *          | 70000454  |             |             | NUT                   | 2   |                       |        |      |         |
| 27  |           | *          | 70000611  |             |             | WASHER                | 4   |                       |        |      |         |
| 28  |           | *          | 70000218  |             |             | THREAD STEADY BALL SE | 5   |                       |        |      |         |
| 29  |           | *          | 70000454  |             |             | NUT                   | 1   |                       |        |      |         |
| 30  |           | *          | 70000454  |             |             | NUT                   | 5   |                       |        |      |         |
| 31  |           | *          | 70000615  |             |             | WASHER                | 5   |                       |        |      |         |
| 32  |           | *          | 70000217  |             |             | CONNECTING LOOP       | 5   |                       |        |      |         |
| 33  |           | *          | 70000216  |             |             | SPONGY CUSHION        | 5   |                       |        |      |         |
| 34  |           | *          | 70000215  |             |             | COILING SEAT          | 5   |                       |        |      |         |
| 35  |           | *          | 70000191  |             |             | FIXED PLATE           | 4   |                       |        |      |         |
| 36  |           | *          | 70000589  |             |             | M_SCREW               | 4   |                       |        |      |         |
| 37  |           | *          | 70000177  |             |             | THREAD GUIDE BAR      | 1   |                       |        |      |         |

THREAD STAND COMPONENTS (FOR MO-6843S)

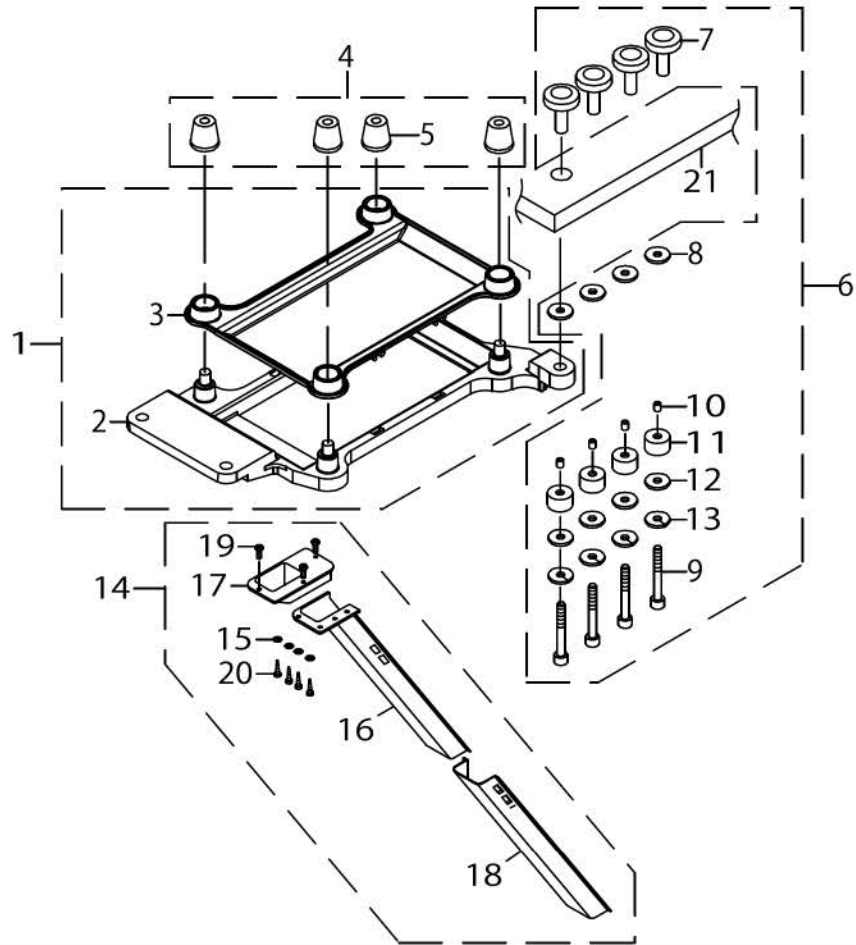


From the library of: Diamond Needle Corp

THREAD STAND COMPONENTS (FOR MO-6843S)

| No. | C-<br>ons | Le-<br>vel | Parts No. | Replacement | Supply Code | Parts name            | Qty | R-<br>ep.<br>Q-<br>TY | Status | Spec | Remarks |
|-----|-----------|------------|-----------|-------------|-------------|-----------------------|-----|-----------------------|--------|------|---------|
| 1   |           |            | 40179486  |             |             | THREAD STAND COMB.    | 1   |                       |        |      |         |
| 2   |           | *          | 70000179  |             |             | THREAD GUIDE BAR      | 1   |                       |        |      |         |
| 3   |           | *          | 70000180  |             |             | FIXED SEAT            | 1   |                       |        |      |         |
| 4   |           | *          | 70000181  |             |             | FIXED SEAT            | 1   |                       |        |      |         |
| 5   |           | *          | 70000182  |             |             | THREAD GUIDE BAR      | 1   |                       |        |      |         |
| 6   |           | *          | 70000183  |             |             | THREAD GUIDE BAR      | 1   |                       |        |      |         |
| 7   |           | *          | 70000186  |             |             | SUPPORTER             | 1   |                       |        |      |         |
| 8   |           | *          | 70000187  |             |             | SUPPORTER             | 1   |                       |        |      |         |
| 9   |           | *          | 70000188  |             |             | THREAD STAND ROD      | 1   |                       |        |      |         |
| 10  |           | *          | 70000189  |             |             | THREAD STAND COVER    | 1   |                       |        |      |         |
| 11  |           | *          | 70000190  |             |             | THREAD STAND ROD      | 1   |                       |        |      |         |
| 12  |           | *          | 70000192  |             |             | CONNECTING LOOP       | 1   |                       |        |      |         |
| 13  |           | *          | 70000354  |             |             | WASHER                | 2   |                       |        |      |         |
| 14  |           | *          | 70000454  |             |             | NUT                   | 2   |                       |        |      |         |
| 15  |           | *          | 70000455  |             |             | NUT                   | 1   |                       |        |      |         |
| 16  |           | *          | 70000547  |             |             | E_SCREW               | 1   |                       |        |      |         |
| 17  |           | *          | 70000579  |             |             | M_SCREW               | 1   |                       |        |      |         |
| 18  |           | *          | 70000580  |             |             | M_SCREW               | 1   |                       |        |      |         |
| 19  |           | *          | 70000581  |             |             | M_SCREW               | 1   |                       |        |      |         |
| 20  |           | *          | 70000618  |             |             | WASHER                | 1   |                       |        |      |         |
| 21  |           | *          | 70000219  |             |             | PLUG                  | 6   |                       |        |      |         |
| 22  |           | *          | 70000456  |             |             | NUT                   | 4   |                       |        |      |         |
| 23  |           | *          | 70000580  |             |             | M_SCREW               | 1   |                       |        |      |         |
| 24  |           | *          | 70000580  |             |             | M_SCREW               | 1   |                       |        |      |         |
| 25  |           | *          | 70000454  |             |             | NUT                   | 2   |                       |        |      |         |
| 26  |           | *          | 70000611  |             |             | WASHER                | 4   |                       |        |      |         |
| 27  |           | *          | 70000218  |             |             | THREAD STEADY BALL SE | 6   |                       |        |      |         |
| 28  |           | *          | 70000454  |             |             | NUT                   | 2   |                       |        |      |         |
| 29  |           | *          | 70000454  |             |             | NUT                   | 6   |                       |        |      |         |
| 30  |           | *          | 70000615  |             |             | WASHER                | 6   |                       |        |      |         |
| 31  |           | *          | 70000217  |             |             | CONNECTING LOOP       | 6   |                       |        |      |         |
| 32  |           | *          | 70000216  |             |             | SPONGY CUSHION        | 6   |                       |        |      |         |
| 33  |           | *          | 70000215  |             |             | COILING SEAT          | 6   |                       |        |      |         |
| 34  |           | *          | 70000183  |             |             | THREAD GUIDE BAR      | 1   |                       |        |      |         |
| 35  |           | *          | 70000182  |             |             | THREAD GUIDE BAR      | 1   |                       |        |      |         |
| 36  |           | *          | 70000547  |             |             | E_SCREW               | 1   |                       |        |      |         |
| 37  |           | *          | 70000581  |             |             | M_SCREW               | 1   |                       |        |      |         |
| 38  |           | *          | 70000191  |             |             | FIXED PLATE           | 4   |                       |        |      |         |
| 39  |           | *          | 70000589  |             |             | M_SCREW               | 4   |                       |        |      |         |
| 40  |           | *          | 70000177  |             |             | THREAD GUIDE BAR      | 1   |                       |        |      |         |

SEMI-SUNKEN TYPE TABLE COMPONENTS

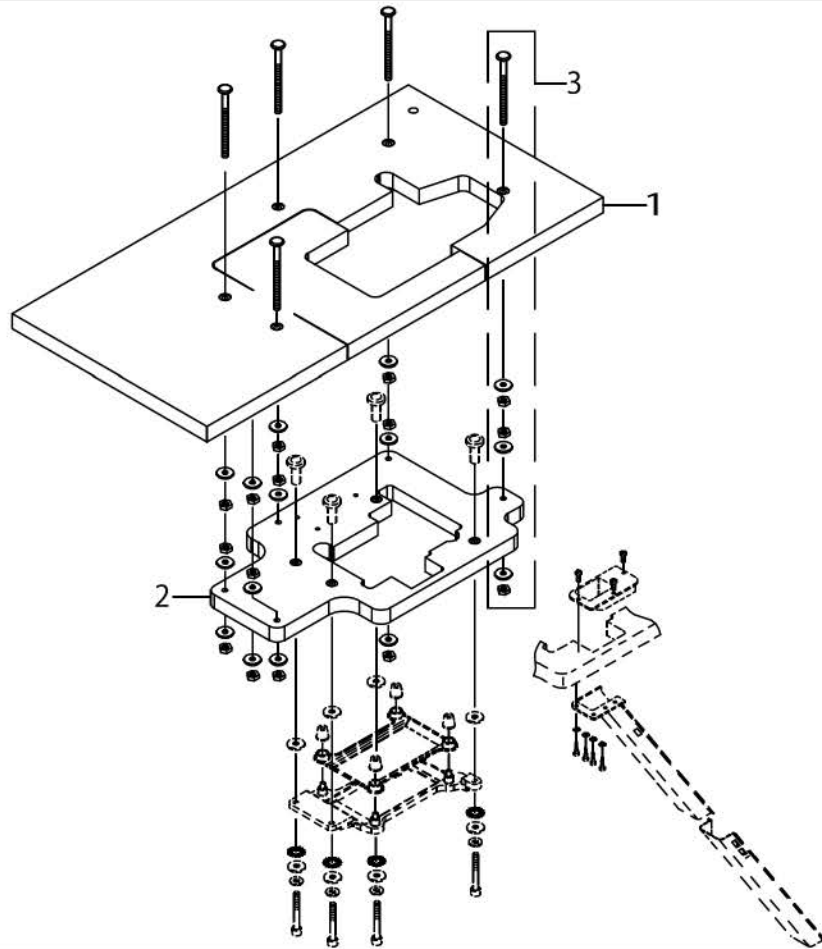




SEMI-SUNKEN TYPE TABLE COMPONENTS

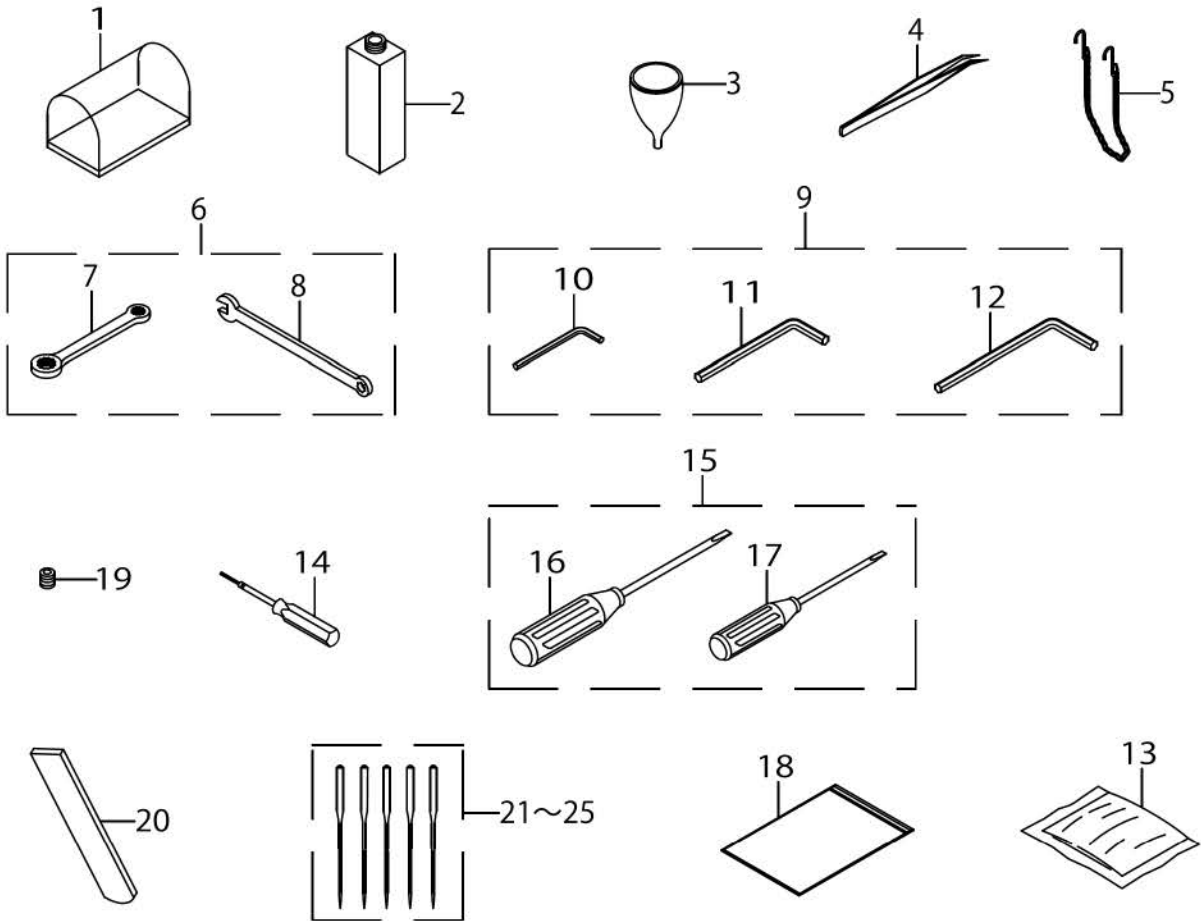
| No. | C-<br>ons | Le-<br>vel | Parts No. | Replacement | Supply Code | Parts name            | Qty | R-<br>ep.<br>Q-<br>TY | Status | Spec | Remarks |
|-----|-----------|------------|-----------|-------------|-------------|-----------------------|-----|-----------------------|--------|------|---------|
| 1   |           |            | 70000264  |             |             | CHASSIS               | 1   |                       |        |      |         |
| 2   |           | *          | 70000263  |             |             | CHASSIS               | 1   |                       |        |      |         |
| 3   |           | *          | 70000438  |             |             | RUBBER PAD            | 1   |                       |        |      |         |
| 4   |           |            | 70000340  |             |             | RUBBER BLOCK          | 1   |                       |        |      |         |
| 5   |           | *          | 70000338  |             |             | RUBBER BLOCK          | 4   |                       |        |      |         |
| 6   |           |            | 70000265  |             |             | BOLT COMB.            | 1   |                       |        |      |         |
| 7   |           | *          | 70000332  |             |             | FIXED SHAFT           | 4   |                       |        |      |         |
| 8   |           | *          | 70000339  |             |             | RUBBER BLOCK          | 4   |                       |        |      |         |
| 9   |           | *          | 70000707  |             |             | BOLT                  | 4   |                       |        |      |         |
| 10  |           | *          | 40159780  |             |             | GASKET                | 4   |                       |        |      |         |
| 11  |           | *          | 40159781  |             |             | GASKET                | 4   |                       |        |      |         |
| 12  |           | *          | 70000348  |             |             | WASHER                | 4   |                       |        |      |         |
| 13  |           | *          | 70000617  |             |             | WASHER                | 4   |                       |        |      |         |
| 14  |           |            | 70000484  |             |             | WASTE FABRIC CHUTE CO | 1   |                       |        |      |         |
| 15  |           | *          | 70000352  |             |             | WASHER                | 4   |                       |        |      |         |
| 16  |           | *          | 70000482  |             |             | WASTE FABRIC CHUTE    | 1   |                       |        |      |         |
| 17  |           | *          | 70000483  |             |             | WASTE FABRIC CHUTE    | 1   |                       |        |      |         |
| 18  |           | *          | 70000485  |             |             | WASTE FABRIC CHUTE    | 1   |                       |        |      |         |
| 19  |           | *          | 70000540  |             |             | E_SCREW               | 3   |                       |        |      |         |
| 20  |           | *          | 70000541  |             |             | E_SCREW               | 4   |                       |        |      |         |
| 21  |           |            | 70000854  |             |             | TABLE                 | 1   |                       |        |      |         |

FULLY-SUNKEN TYPE TABLE COMPONENTS





ACCESSORIES PARTS COMPONENTS

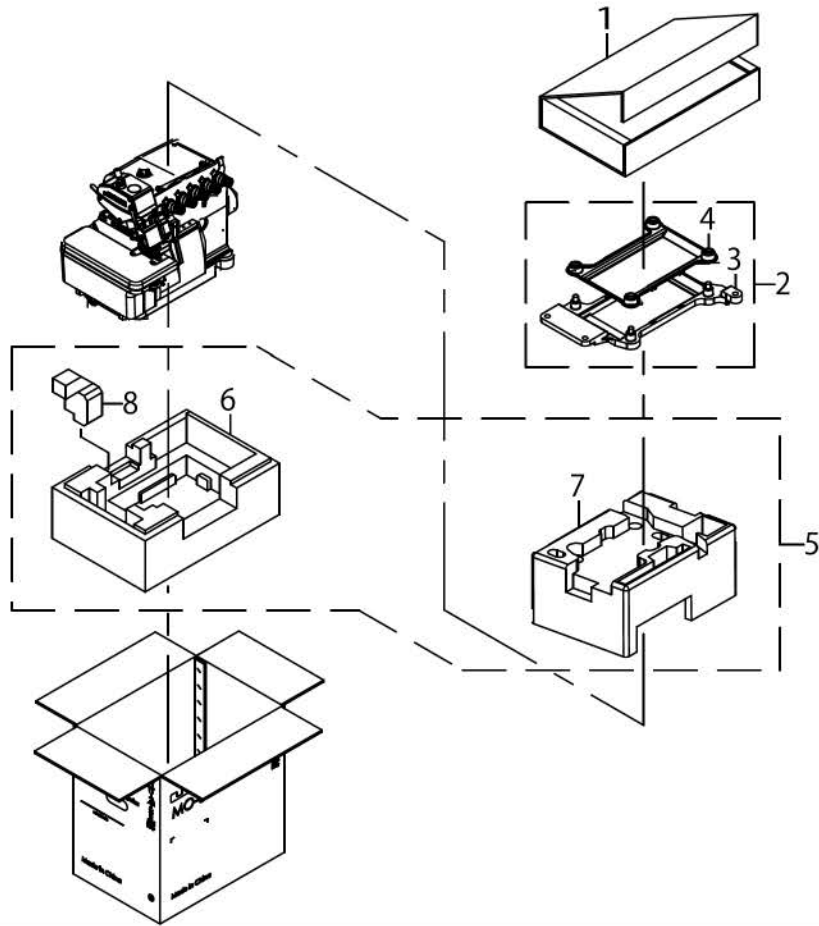


ACCESSORIES PARTS COMPONENTS

| No. | C-<br>ons | Le-<br>vel | Parts No.   | Replacement | Supply Code | Parts name           | Qty | R-<br>ep.<br>Q-<br>TY | Status | Spec | Remarks        |
|-----|-----------|------------|-------------|-------------|-------------|----------------------|-----|-----------------------|--------|------|----------------|
| 1   |           |            | 40159786    |             |             | HEAD COVER           | 1   |                       |        |      |                |
| 2   |           |            | 40159785    |             | Disconinue  | SEWING OIL J18(3)    | 1   |                       |        |      |                |
| 3   |           |            | 70000757    |             |             | FUNNEL               | 1   |                       |        |      |                |
| 4   |           |            | 70000759    |             |             | TWEEZERS             | 1   |                       |        |      |                |
| 5   |           |            | 70000760    |             |             | CHAIN                | 1   |                       |        |      |                |
| 6   |           |            | 40159796    |             |             | SPANNER COMB.        | 1   |                       |        |      |                |
| 7   |           | *          | 40159794    |             |             | RING SPANNER         | 1   |                       |        |      |                |
| 8   |           | *          | 40159795    |             |             | SPANNER              | 1   |                       |        |      |                |
| 9   |           |            | 40159793    |             |             | HEXAGONAL ROD SPANNE | 1   |                       |        |      |                |
| 10  |           | *          | 40159789    |             |             | HEXAGONAL ROD SPANNE | 1   |                       |        |      |                |
| 11  |           | *          | 40159790    |             |             | HEXAGONAL ROD SPANNE | 1   |                       |        |      |                |
| 12  |           | *          | 40159791    |             |             | HEXAGONAL ROD SPANNE | 1   |                       |        |      |                |
| 13  |           |            | 70000763    |             |             | DESICCATIVE          | 1   |                       |        |      |                |
| 14  |           |            | 70000758    |             |             | HEXAGON SCREWDRIVER  | 1   |                       |        |      |                |
| 15  |           |            | 40159792    |             |             | SCREW DRIVER COMB.   | 1   |                       |        |      |                |
| 16  |           | *          | 40159787    |             |             | SCREW DRIVER         | 1   |                       |        |      |                |
| 17  |           | *          | 40159788    |             |             | SCREW DRIVER         | 1   |                       |        |      |                |
| 18  |           |            | 70000761    |             |             | TOOL BAG             | 1   |                       |        |      |                |
| 19  |           |            | 70000498    |             |             | E_SCREW              | 1   |                       |        |      |                |
| 20  |           |            | 70000399    |             |             | KNIFE                | 1   |                       |        |      |                |
| 21  |           |            | MDC270B1100 |             |             | NEEDLE DCX27 #11     | 5   |                       |        |      |                |
| 22  |           |            | MDC270B0800 |             |             | NEEDLE DCX27 #8      | 5   |                       |        |      | FOR 04S-150    |
| 23  |           |            | MDC270B0900 |             |             | NEEDLE DCX27 #9      | 5   |                       |        |      | FOR 14S-24H    |
| 24  |           |            | MDC270B1400 |             |             | NEEDLE DCX27 #14     | 5   |                       |        |      | FOR 14S-44H,43 |
| 25  |           |            | MDC270B1600 |             |             | NEEDLE DCX27 #16     | 5   |                       |        |      | FOR 16S-50H    |

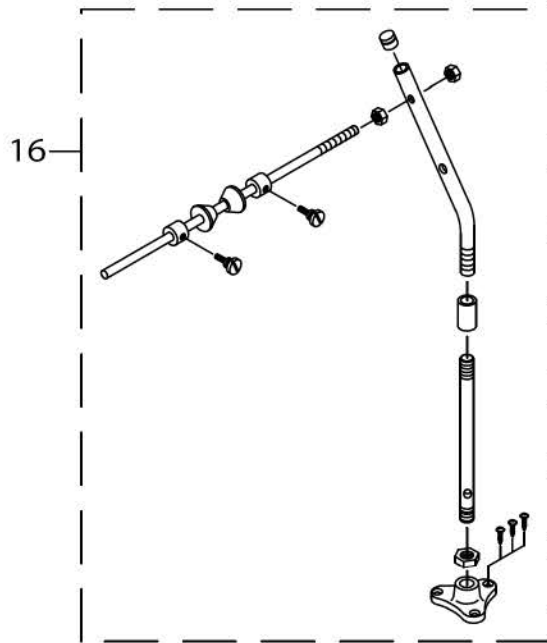
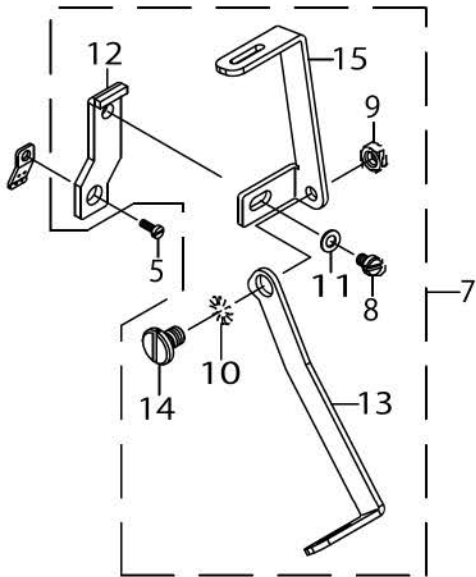
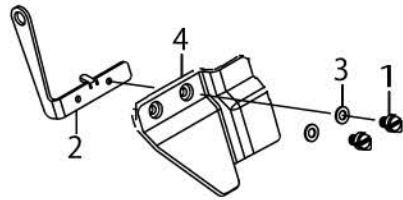
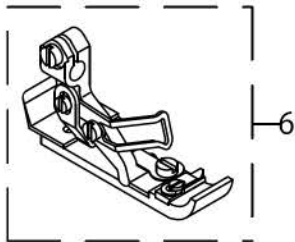


PACKING COMPONENTS





TAPE INSERTION COMPONENTS

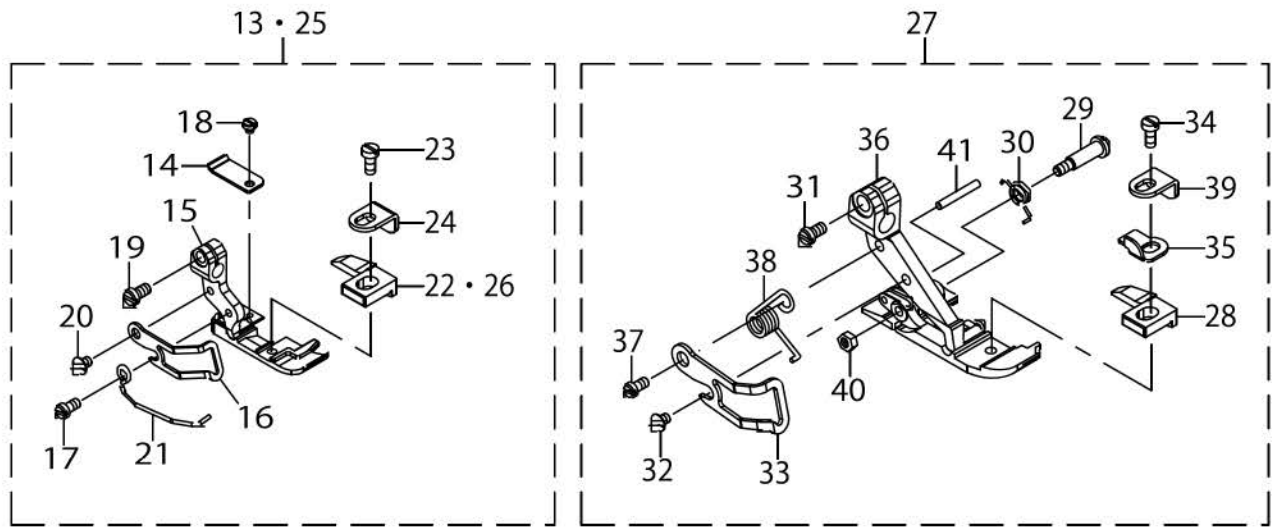
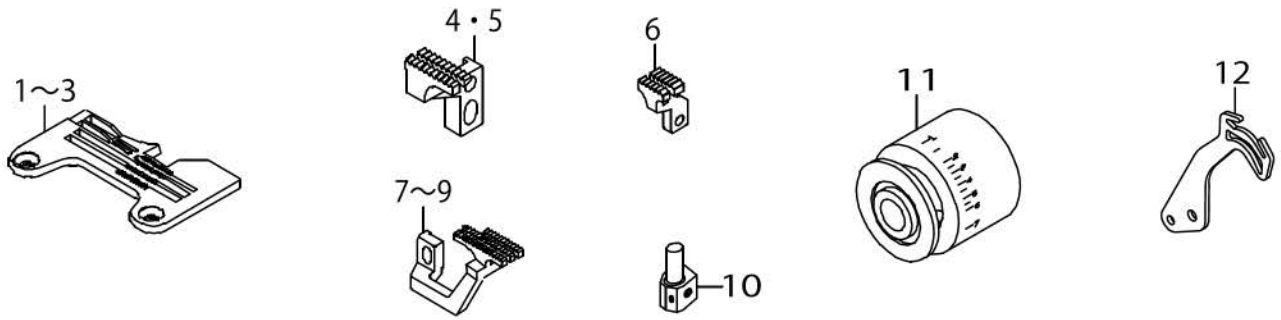


TAPE INSERTION COMPONENTS

| No. | C-<br>ons | Le-<br>vel | Parts No. | Replacement | Supply Code | Parts name           | Qty | R-<br>ep.<br>Q-<br>TY | Status | Spec | Remarks      |
|-----|-----------|------------|-----------|-------------|-------------|----------------------|-----|-----------------------|--------|------|--------------|
| 1   |           |            | 70000908  |             |             | M_SCREW              | 2   |                       |        |      |              |
| 2   |           |            | 40159574  |             |             | SAFETY PLATE BRACKET | 1   |                       |        |      |              |
| 3   |           |            | 40159576  |             |             | WASHER               | 2   |                       |        |      |              |
| 4   |           |            | 40159810  |             |             | SAFETY PLATE         | 1   |                       |        |      |              |
| 5   |           |            | 70000549  |             |             | E_SCREW              | 1   |                       |        |      |              |
| 6   |           |            | 40159817  |             |             | PRESSER FOOT         | 1   |                       |        |      |              |
| 7   |           |            | 40159815  |             |             | TAPE GUIDE COMB.     | 1   |                       |        |      |              |
| 8   |           | *          | 70000908  |             |             | M_SCREW              | 1   |                       |        |      |              |
| 9   |           | *          | 70000452  |             |             | NUT                  | 1   |                       |        |      |              |
| 10  |           | *          | 70000359  |             |             | WASHER               | 1   |                       |        |      |              |
| 11  |           | *          | 40159576  |             |             | WASHER               | 1   |                       |        |      |              |
| 12  |           | *          | 40159811  |             |             | TAPE GUIDE           | 1   |                       |        |      |              |
| 13  |           | *          | 40159813  |             |             | TAPE GUIDE           | 1   |                       |        |      |              |
| 14  |           | *          | 40159814  |             |             | E_SCREW              | 1   |                       |        |      |              |
| 15  |           | *          | 40159812  |             |             | TAPE GUIDE           | 1   |                       |        |      |              |
| 16  |           |            | 70000098  |             |             | TAPE HOLDER          | 1   |                       |        |      | OPTIONAL PAR |

From the library of: Diamond Needle Corp

30P COMPONENTS













30P COMPONENTS

| No. | C-<br>ons | Le-<br>vel | Parts No. | Replacement | Supply Code | Parts name             | Qty | R-<br>ep.<br>Q-<br>TY | Status | Spec | Remarks       |
|-----|-----------|------------|-----------|-------------|-------------|------------------------|-----|-----------------------|--------|------|---------------|
| 1   |           |            | 40164048  |             |             | THROAT PLATE           | 1   |                       |        |      | FOR 14S-BE6-3 |
| 2   |           |            | 40164047  |             |             | THROAT PLATE           | 1   |                       |        |      | FOR 14S-BB6-3 |
| 3   |           |            | 40164049  |             |             | THROAT PLATE           | 1   |                       |        |      | FOR 16S-DE4-3 |
| 4   |           |            | 40164050  |             |             | FEED DOG               | 1   |                       |        |      | FOR 14S-BE6-3 |
| 5   |           |            | 40164052  |             |             | FEED DOG               | 1   |                       |        |      | FOR 16S-DE4-3 |
| 6   |           |            | 40164051  |             |             | FEED DOG               | 1   |                       |        |      | FOR 14S-BE6-3 |
| 7   |           |            | 40164044  |             |             | FEED DOG               | 1   |                       |        |      | FOR 14S-BE6-3 |
| 8   |           |            | 40164046  |             |             | FEED DOG               | 1   |                       |        |      | FOR 14S-BB6-3 |
| 9   |           |            | 40164045  |             |             | FEED DOG               | 1   |                       |        |      | FOR 16S-DE4-3 |
| 10  |           |            | 40164055  |             |             | NEEDLE CLAMP           | 1   |                       |        |      | FOR 14S-BE6-3 |
| 11  |           |            | 40164058  |             |             | HAND WHEEL(30P)        | 1   |                       |        |      | FOR 14S-BE6-3 |
| 12  |           |            | 40164056  |             |             | THREAD TAKE-UP LEVER   | 1   |                       |        |      | FOR 14S-BE6-3 |
| 13  |           |            | 40164021  |             |             | PRESSER FOOT ASM.      | 1   |                       |        |      | FOR 14S-BE6-3 |
| 14  |           | *          | 40164026  |             |             | REAR PRESSER FOOT      | 1   |                       |        |      | FOR 14S-BE6-3 |
| 15  |           | *          | 40164027  |             |             | PRESSER FOOT HINGE     | 1   |                       |        |      | FOR 14S-BE6-3 |
| 16  |           | *          | 70000735  |             |             | FINGER GUARD           | 1   |                       |        |      | FOR 14S-BE6-3 |
| 17  |           | *          | 70000500  |             |             | E_SCREW                | 1   |                       |        |      | FOR 14S-BE6-3 |
| 18  |           | *          | 70000496  |             |             | E_SCREW                | 1   |                       |        |      | FOR 14S-BE6-3 |
| 19  |           | *          | 70000505  |             |             | E_SCREW                | 1   |                       |        |      | FOR 14S-BE6-3 |
| 20  |           | *          | 70000538  |             |             | E_SCREW                | 1   |                       |        |      | FOR 14S-BE6-3 |
| 21  |           | *          | 40164028  |             |             | PRESSER FOOT ARM SPRIN | 1   |                       |        |      | FOR 14S-BE6-3 |
| 22  |           | *          | 40164024  |             |             | STITCH TONGUE          | 1   |                       |        |      | FOR 14S-BE6-3 |
| 23  |           | *          | 70000558  |             |             | E_SCREW                | 1   |                       |        |      | FOR 14S-BE6-3 |
| 24  |           | *          | 40164053  |             |             | PRESSER FOOT 514_30P   | 1   |                       |        |      | FOR 14S-BE6-3 |
| 25  |           |            | 40164020  |             |             | PRESSER FOOT ASM.      | 1   |                       |        |      | FOR 14S-BB6-3 |
| 26  |           | *          | 40164023  |             |             | STITCH TONGUE          | 1   |                       |        |      | FOR 14S-BB6-3 |
| 27  |           |            | 40164029  |             |             | PRESSER FOOT ASM.      | 1   |                       |        |      | FOR 16S-DE4-3 |
| 28  |           | *          | 40164032  |             |             | STITCH TONGUE          | 1   |                       |        |      | FOR 16S-DE4-3 |
| 29  |           | *          | 40164039  |             |             | HINGE SCREW            | 1   |                       |        |      | FOR 16S-DE4-3 |
| 30  |           | *          | 40164037  |             |             | SPRING                 | 1   |                       |        |      | FOR 16S-DE4-3 |
| 31  |           | *          | 70000505  |             |             | E_SCREW                | 1   |                       |        |      | FOR 16S-DE4-3 |
| 32  |           | *          | 70000538  |             |             | E_SCREW                | 1   |                       |        |      | FOR 16S-DE4-3 |
| 33  |           | *          | 40164034  |             |             | FINGER GUARD           | 1   |                       |        |      | FOR 16S-DE4-3 |
| 34  |           | *          | 40159855  |             |             | E_SCREW                | 1   |                       |        |      | FOR 16S-DE4-3 |
| 35  |           | *          | 40164036  |             |             | SPRING                 | 1   |                       |        |      | FOR 16S-DE4-3 |
| 36  |           | *          | 40164038  |             |             | PRESSER FOOT HINGE     | 1   |                       |        |      | FOR 16S-DE4-3 |
| 37  |           | *          | 70000500  |             |             | E_SCREW                | 1   |                       |        |      | FOR 16S-DE4-3 |
| 38  |           | *          | 40164033  |             |             | PRESSER FOOT ARM SPRIN | 1   |                       |        |      | FOR 16S-DE4-3 |
| 39  |           | *          | 40164035  |             |             | PRESSER FOOT           | 1   |                       |        |      | FOR 16S-DE4-3 |
| 40  |           | *          | 40164043  |             |             | NUT                    | 1   |                       |        |      | FOR 16S-DE4-3 |
| 41  |           | *          | 40164042  |             |             | PIN                    | 1   |                       |        |      | FOR 16S-DE4-3 |

From the library of: Diamond Needle Corp

MO-6800S GAUGE TABLE

|                           |  |  |  |  |
|---------------------------|---|---|---|---|
| MODEL                     | THROAT PLATE  | FEED DOG  | FEED DOG  | FEED DOG  |
| MO-6804S-0E4-30H          | 401-59827   | 401-59820   | 700-00782   | 401-59836   |
| MO-6804S-0A4-150          | 401-59825   | 401-59820   | 700-00784   | 401-59836   |
| MO-6814S-BD6-30H          | 401-59828   | 401-59822   | 700-00782   | 401-59837   |
| MO-6814S-BE6-40H          | 401-59829   | 401-59822   | 700-00782   | 401-59837   |
| MO-6814S-BD6-24H/G44/Q143 | 401-59828   | 401-59822   | 700-00782   | 401-59837   |
| MO-6814S-BE6-24H/G44/Q143 | 401-59829   | 401-59822   | 700-00782   | 401-59837   |
| MO-6814S-BE6-44H/G44/Q143 | 401-59829   | 401-59822   | 700-00782   | 401-59837   |
| MO-6816S-DE6-30H          | 401-59830   | 401-59821   | 700-00782   | 401-59838   |
| MO-6816S-FF6-30H          | 401-59831   | 401-59821   | 700-00782   | 401-59839   |
| MO-6816S-FF6-50H          | 401-59834   | 401-59821   | 700-00782   | 401-59839   |
| MO-6816S-FH6-50H          | 401-59835   | 401-59821   | 700-00782   | 401-59839   |
| MO-6843S-1D6-40H          | 401-59832   | 401-59821   | 700-00782   | 401-59839   |
| MO-6843S-2D6-40H          | 401-59833   | 401-59821   | 700-00782   | 401-59839   |
| MO-6845S-FF6-360-N075     | 401-59826   | 401-59823   | 401-59824   | 401-59840   |
| MO-6814S-BE6-30P          | 401-64048   | 401-64050   | 401-64051   | 401-64044   |
| MO-6814S-BB6-30P          | 401-64047   | 401-64050   | 401-64051   | 401-64046   |
| MO-6816S-DE4-30P          | 401-64049   | 401-64052   | 401-64051   | 401-64045   |

|                           |  |  |  |  |
|---------------------------|---|---|---|---|
| MODEL                     | PRESSER FOOT  | LOOPER  | NEEDLE CLAMP  | NEEDLE  |
| MO-6804S-0E4-30H          | 401-59844   | 700-00798   | 700-00801   | DCX27#11  |
| MO-6804S-0A4-150          | 401-59842   | 700-00798   | 700-00801   | DCX27#8   |
| MO-6814S-BD6-30H          | 401-59843   | 700-00238   | 700-00802   | DCX27#11*2  |
| MO-6814S-BE6-40H          | 401-59843   | 700-00798   | 700-00802   | DCX27#11*2  |
| MO-6814S-BD6-24H/G44/Q143 | 401-59817   | 700-00238   | 700-00802   | DCX27#9*2   |
| MO-6814S-BE6-24H/G44/Q143 | 401-59817   | 700-00238   | 700-00802   | DCX27#9*2   |
| MO-6814S-BE6-44H/G44/Q143 | 401-59817   | 700-00799   | 700-00802   | DCX27#14*2  |
| MO-6816S-DE6-30H          | 401-59850   | 700-00238   | 700-00803   | DCX27#11*2  |
| MO-6816S-FF6-30H          | 401-59849   | 700-00238   | 700-00804   | DCX27#11*2  |
| MO-6816S-FF6-50H          | 401-59849   | 700-00799   | 700-00804   | DCX27#16*2  |
| MO-6816S-FH6-50H          | 401-59849   | 700-00799   | 700-00804   | DCX27#16*2  |
| MO-6843S-1D6-40H          | 401-59847   | 700-00238   | 700-00805   | DCX27#11*3  |
| MO-6843S-2D6-40H          | 401-59848   | 700-00238   | 700-00806   | DCX27#11*3  |
| MO-6845S-FF6-360-N075     | 401-59845   |   | 401-59841   | DCX27#14*2  |
| MO-6814S-BE6-30P          | 401-64021   | 700-00238   | 401-64055   | DCX27#11*2  |
| MO-6814S-BB6-30P          | 401-64020   | 700-00238   | 401-64055   | DCX27#11*2  |
| MO-6816S-DE4-30P          | 401-64029   | 700-00238   | 700-00803   | DCX27#11*2  |



NUMERICAL INDEX OF PARTS

| PART NO  | PAGE | REF NO. | PART NO  | PAGE | REF NO. | PART NO  | PAGE | REF NO. |
|----------|------|---------|----------|------|---------|----------|------|---------|
| *****    | 2    | 6       | 40159582 | 6    | 16      | 40159647 | 14   | 16      |
| *****    | 6    | 25      | 40159583 | 6    | 17      | 40159648 | 14   | 18      |
| *****    | 14   | 42      | 40159584 | 6    | 21      | 40159649 | 16   | 64      |
| *****    | 16   | 62      | 40159585 | 6    | 26      | 40159650 | 14   | 6       |
| *****    | 18   | 56      | 40159586 | 6    | 32      | 40159651 | 14   | 17      |
| *****    | 30   | 50      | 40159587 | 6    | 33      | 40159652 | 14   | 48      |
| *****    | 34   | 57      | 40159589 | 6    | 42      | 40159653 | 14   | 54      |
| *****    | 36   | 70      | 40159590 | 6    | 30      | 40159654 | 14   | 55      |
| 40022255 | 8    | 57      | 40159591 | 6    | 38      | 40159655 | 14   | 56      |
| 40159531 | 2    | 23      | 40159592 | 6    | 39      | 40159656 | 16   | 100     |
| 40159532 | 2    | 24      | 40159593 | 6    | 27      | 40159657 | 16   | 104     |
| 40159533 | 2    | 25      | 40159601 | 8    | 23      | 40159658 | 12   | 32      |
| 40159534 | 2    | 3       | 40159602 | 8    | 22      | 40159659 | 8    | 49      |
| 40159537 | 2    | 26      | 40159603 | 8    | 28      | 40159660 | 8    | 48      |
| 40159538 | 2    | 27      | 40159604 | 8    | 3       | 40159665 | 20   | 74      |
| 40159539 | 2    | 28      | 40159605 | 8    | 4       | 40159666 | 20   | 70      |
| 40159540 | 2    | 29      | 40159606 | 8    | 1       | 40159667 | 20   | 79      |
| 40159551 | 4    | 31      | 40159607 | 8    | 2       | 40159668 | 20   | 78      |
| 40159552 | 4    | 18      | 40159608 | 8    | 12      | 40159669 | 20   | 77      |
| 40159553 | 4    | 19      | 40159615 | 12   | 1       | 40159670 | 18   | 57      |
| 40159554 | 4    | 20      | 40159617 | 12   | 8       | 40159671 | 18   | 29      |
| 40159555 | 4    | 9       | 40159618 | 12   | 7       | 40159672 | 18   | 30      |
| 40159556 | 4    | 8       | 40159619 | 12   | 21      | 40159673 | 18   | 36      |
| 40159557 | 4    | 1       | 40159620 | 12   | 30      | 40159674 | 18   | 34      |
| 40159558 | 4    | 13      | 40159623 | 12   | 36      | 40159675 | 18   | 24      |
| 40159559 | 4    | 14      | 40159624 | 16   | 103     | 40159676 | 20   | 72      |
| 40159560 | 4    | 15      | 40159625 | 16   | 65      | 40159676 | 30   | 33      |
| 40159561 | 4    | 17      | 40159626 | 14   | 60      | 40159677 | 20   | 73      |
| 40159562 | 4    | 6       | 40159627 | 16   | 74      | 40159678 | 18   | 10      |
| 40159563 | 4    | 7       | 40159628 | 14   | 58      | 40159679 | 18   | 37      |
| 40159564 | 4    | 10      | 40159629 | 14   | 27      | 40159680 | 18   | 38      |
| 40159565 | 4    | 11      | 40159629 | 28   | 38      | 40159681 | 18   | 25      |
| 40159571 | 6    | 1       | 40159630 | 14   | 53      | 40159681 | 20   | 80      |
| 40159572 | 6    | 4       | 40159631 | 16   | 75      | 40159682 | 18   | 26      |
| 40159573 | 6    | 2       | 40159632 | 16   | 109     | 40159682 | 20   | 81      |
| 40159574 | 6    | 8       | 40159633 | 16   | 83      | 40159683 | 20   | 61      |
| 40159574 | 60   | 2       | 40159634 | 16   | 110     | 40159684 | 18   | 8       |
| 40159575 | 6    | 7       | 40159636 | 16   | 112     | 40159684 | 22   | 22      |
| 40159576 | 6    | 6       | 40159640 | 16   | 77      | 40159686 | 18   | 1       |
| 40159576 | 60   | 11      | 40159641 | 16   | 87      | 40159687 | 18   | 2       |
| 40159577 | 6    | 5       | 40159642 | 16   | 99      | 40159689 | 22   | 17      |
| 40159578 | 6    | 13      | 40159643 | 16   | 107     | 40159690 | 22   | 35      |
| 40159579 | 6    | 11      | 40159644 | 16   | 76      | 40159692 | 22   | 1       |
| 40159580 | 6    | 18      | 40159645 | 14   | 1       | 40159693 | 22   | 16      |
| 40159581 | 6    | 19      | 40159646 | 14   | 10      | 40159694 | 22   | 2       |

From the library of: Diamond Needle Corp



NUMERICAL INDEX OF PARTS

| PART NO  | PAGE | REF NO. | PART NO  | PAGE | REF NO. | PART NO  | PAGE | REF NO. |
|----------|------|---------|----------|------|---------|----------|------|---------|
| 40159700 | 28   | 25      | 40159771 | 42   | 7       | 40164029 | 62   | 27      |
| 40159701 | 28   | 27      | 40159772 | 42   | 1       | 40164032 | 62   | 28      |
| 40159702 | 28   | 16      | 40159773 | 42   | 12      | 40164033 | 62   | 38      |
| 40159703 | 28   | 17      | 40159774 | 42   | 9       | 40164034 | 62   | 33      |
| 40159703 | 34   | 27      | 40159775 | 42   | 2       | 40164035 | 62   | 39      |
| 40159704 | 28   | 18      | 40159776 | 42   | 8       | 40164036 | 62   | 35      |
| 40159704 | 34   | 30      | 40159777 | 42   | 11      | 40164037 | 62   | 30      |
| 40159705 | 28   | 19      | 40159778 | 42   | 10      | 40164038 | 62   | 36      |
| 40159706 | 28   | 20      | 40159779 | 42   | 13      | 40164039 | 62   | 29      |
| 40159707 | 28   | 1       | 40159780 | 52   | 10      | 40164042 | 62   | 41      |
| 40159709 | 28   | 32      | 40159781 | 52   | 11      | 40164043 | 62   | 40      |
| 40159715 | 20   | 83      | 40159785 | 56   | 2       | 40164044 | 62   | 7       |
| 40159715 | 30   | 35      | 40159786 | 56   | 1       | 40164045 | 62   | 9       |
| 40159716 | 30   | 15      | 40159787 | 56   | 16      | 40164046 | 62   | 8       |
| 40159717 | 30   | 13      | 40159788 | 56   | 17      | 40164047 | 62   | 2       |
| 40159718 | 30   | 56      | 40159789 | 56   | 10      | 40164048 | 62   | 1       |
| 40159719 | 30   | 57      | 40159790 | 56   | 11      | 40164049 | 62   | 3       |
| 40159726 | 32   | 26      | 40159791 | 56   | 12      | 40164050 | 62   | 4       |
| 40159727 | 32   | 19      | 40159792 | 56   | 15      | 40164051 | 62   | 6       |
| 40159728 | 32   | 18      | 40159793 | 56   | 9       | 40164052 | 62   | 5       |
| 40159729 | 32   | 16      | 40159794 | 56   | 7       | 40164053 | 62   | 24      |
| 40159732 | 32   | 17      | 40159795 | 56   | 8       | 40164055 | 62   | 10      |
| 40159734 | 32   | 10      | 40159796 | 56   | 6       | 40164056 | 16   | 113     |
| 40159741 | 34   | 3       | 40159800 | 58   | 1       | 40164056 | 62   | 12      |
| 40159742 | 34   | 4       | 40159801 | 58   | 7       | 40164057 | 8    | 46      |
| 40159743 | 34   | 7       | 40159802 | 58   | 8       | 40164058 | 8    | 47      |
| 40159744 | 34   | 5       | 40159803 | 58   | 5       | 40164058 | 62   | 11      |
| 40159745 | 34   | 1       | 40159810 | 60   | 4       | 40164059 | 10   | 61      |
| 40159746 | 34   | 2       | 40159811 | 60   | 12      | 40170670 | 34   | 12      |
| 40159748 | 34   | 31      | 40159812 | 60   | 15      | 40170846 | 8    | 54      |
| 40159749 | 34   | 26      | 40159813 | 60   | 13      | 40170847 | 8    | 55      |
| 40159750 | 34   | 33      | 40159814 | 60   | 14      | 40170848 | 8    | 56      |
| 40159751 | 34   | 42      | 40159815 | 60   | 7       | 40172525 | 2    | 4       |
| 40159752 | 34   | 38      | 40159817 | 60   | 6       | 40172527 | 16   | 114     |
| 40159753 | 34   | 10      | 40159855 | 62   | 34      | 40172528 | 32   | 11      |
| 40159754 | 34   | 35      | 40164010 | 8    | 60      | 40172529 | 32   | 12      |
| 40159760 | 38   | 8       | 40164011 | 8    | 45      | 40172530 | 34   | 46      |
| 40159761 | 38   | 26      | 40164012 | 8    | 44      | 40172531 | 36   | 75      |
| 40159762 | 38   | 23      | 40164020 | 62   | 25      | 40172535 | 18   | 20      |
| 40159763 | 38   | 39      | 40164021 | 62   | 13      | 40176583 | 20   | 84      |
| 40159764 | 38   | 32      | 40164023 | 62   | 26      | 40177859 | 20   | 82      |
| 40159765 | 38   | 53      | 40164024 | 62   | 22      | 40178003 | 32   | 9       |
| 40159768 | 42   | 4       | 40164026 | 62   | 14      | 40178005 | 36   | 76      |
| 40159769 | 42   | 5       | 40164027 | 62   | 15      | 40178006 | 34   | 44      |
| 40159770 | 42   | 6       | 40164028 | 62   | 21      | 40178007 | 34   | 45      |

From the library of: Diamond Needle Corp



NUMERICAL INDEX OF PARTS

| PART NO  | PAGE | REF NO. | PART NO  | PAGE | REF NO. | PART NO  | PAGE | REF NO. |
|----------|------|---------|----------|------|---------|----------|------|---------|
| 40178084 | 18   | 6       | 70000164 | 14   | 7       | 70000188 | 50   | 9       |
| 40178084 | 22   | 19      | 70000168 | 14   | 22      | 70000189 | 44   | 9       |
| 40178548 | 16   | 82      | 70000169 | 14   | 19      | 70000189 | 46   | 11      |
| 40178549 | 16   | 106     | 70000171 | 14   | 13      | 70000189 | 48   | 11      |
| 40178550 | 16   | 108     | 70000172 | 26   | 2       | 70000189 | 50   | 10      |
| 40179483 | 44   | 1       | 70000173 | 14   | 3       | 70000190 | 44   | 10      |
| 40179484 | 46   | 1       | 70000174 | 14   | 11      | 70000190 | 46   | 12      |
| 40179485 | 48   | 1       | 70000175 | 22   | 10      | 70000190 | 48   | 12      |
| 40179486 | 50   | 1       | 70000176 | 34   | 50      | 70000190 | 50   | 11      |
| 40179596 | 18   | 3       | 70000177 | 48   | 37      | 70000191 | 44   | 11      |
| 40179596 | 22   | 18      | 70000177 | 50   | 40      | 70000191 | 46   | 35      |
| 40179597 | 18   | 5       | 70000178 | 44   | 35      | 70000191 | 48   | 35      |
| 40179597 | 22   | 21      | 70000178 | 46   | 37      | 70000191 | 50   | 38      |
| 70000098 | 60   | 16      | 70000179 | 44   | 2       | 70000192 | 44   | 12      |
| 70000130 | 8    | 14      | 70000179 | 46   | 2       | 70000192 | 46   | 13      |
| 70000131 | 28   | 56      | 70000179 | 48   | 2       | 70000192 | 48   | 13      |
| 70000131 | 34   | 32      | 70000179 | 50   | 2       | 70000192 | 50   | 12      |
| 70000132 | 30   | 58      | 70000180 | 44   | 3       | 70000193 | 18   | 32      |
| 70000133 | 30   | 14      | 70000180 | 46   | 3       | 70000194 | 18   | 51      |
| 70000134 | 12   | 18      | 70000180 | 48   | 3       | 70000195 | 18   | 53      |
| 70000135 | 30   | 23      | 70000180 | 50   | 3       | 70000196 | 20   | 59      |
| 70000136 | 6    | 12      | 70000181 | 44   | 4       | 70000197 | 18   | 45      |
| 70000137 | 28   | 53      | 70000181 | 46   | 4       | 70000198 | 18   | 46      |
| 70000138 | 30   | 20      | 70000181 | 48   | 4       | 70000199 | 22   | 15      |
| 70000139 | 24   | 2       | 70000181 | 50   | 4       | 70000200 | 18   | 52      |
| 70000140 | 28   | 2       | 70000182 | 44   | 5       | 70000201 | 18   | 50      |
| 70000141 | 12   | 35      | 70000182 | 46   | 5       | 70000202 | 18   | 44      |
| 70000141 | 30   | 25      | 70000182 | 48   | 5       | 70000203 | 16   | 84      |
| 70000141 | 34   | 16      | 70000182 | 50   | 35      | 70000211 | 16   | 111     |
| 70000142 | 34   | 11      | 70000183 | 44   | 6       | 70000213 | 16   | 85      |
| 70000143 | 8    | 34      | 70000183 | 46   | 6       | 70000215 | 44   | 13      |
| 70000144 | 38   | 15      | 70000183 | 48   | 6       | 70000215 | 46   | 34      |
| 70000145 | 8    | 32      | 70000183 | 50   | 34      | 70000215 | 48   | 34      |
| 70000146 | 38   | 33      | 70000184 | 46   | 7       | 70000215 | 50   | 33      |
| 70000147 | 30   | 19      | 70000184 | 48   | 7       | 70000216 | 44   | 14      |
| 70000148 | 38   | 52      | 70000185 | 46   | 8       | 70000216 | 46   | 33      |
| 70000149 | 8    | 35      | 70000185 | 48   | 8       | 70000216 | 48   | 33      |
| 70000151 | 30   | 53      | 70000186 | 44   | 7       | 70000216 | 50   | 32      |
| 70000152 | 30   | 54      | 70000186 | 46   | 9       | 70000217 | 44   | 15      |
| 70000157 | 38   | 24      | 70000186 | 48   | 9       | 70000217 | 46   | 32      |
| 70000158 | 38   | 25      | 70000186 | 50   | 7       | 70000217 | 48   | 32      |
| 70000159 | 38   | 28      | 70000187 | 50   | 8       | 70000217 | 50   | 31      |
| 70000160 | 38   | 27      | 70000188 | 44   | 8       | 70000218 | 44   | 16      |
| 70000161 | 6    | 14      | 70000188 | 46   | 10      | 70000218 | 46   | 28      |
| 70000162 | 28   | 33      | 70000188 | 48   | 10      | 70000218 | 48   | 28      |

From the library of: Diamond Needle Corp

NUMERICAL INDEX OF PARTS

| PART NO  | PAGE | REF NO. | PART NO  | PAGE | REF NO. | PART NO  | PAGE | REF NO. |
|----------|------|---------|----------|------|---------|----------|------|---------|
| 70000218 | 50   | 27      | 70000283 | 28   | 55      | 70000346 | 30   | 46      |
| 70000219 | 44   | 17      | 70000284 | 28   | 52      | 70000347 | 32   | 14      |
| 70000219 | 46   | 22      | 70000286 | 28   | 54      | 70000348 | 52   | 12      |
| 70000219 | 48   | 22      | 70000288 | 28   | 43      | 70000349 | 28   | 5       |
| 70000219 | 50   | 21      | 70000289 | 28   | 42      | 70000349 | 36   | 78      |
| 70000222 | 6    | 15      | 70000291 | 34   | 39      | 70000350 | 18   | 55      |
| 70000229 | 32   | 13      | 70000292 | 34   | 20      | 70000351 | 24   | 22      |
| 70000230 | 32   | 1       | 70000293 | 34   | 17      | 70000352 | 52   | 15      |
| 70000235 | 32   | 2       | 70000294 | 34   | 22      | 70000353 | 28   | 15      |
| 70000236 | 32   | 8       | 70000295 | 34   | 23      | 70000354 | 44   | 18      |
| 70000237 | 32   | 4       | 70000297 | 34   | 47      | 70000354 | 46   | 14      |
| 70000239 | 18   | 22      | 70000301 | 34   | 41      | 70000354 | 48   | 14      |
| 70000240 | 18   | 21      | 70000302 | 34   | 40      | 70000354 | 50   | 13      |
| 70000241 | 18   | 35      | 70000303 | 34   | 51      | 70000355 | 34   | 34      |
| 70000243 | 18   | 28      | 70000304 | 34   | 55      | 70000356 | 30   | 29      |
| 70000246 | 20   | 63      | 70000309 | 34   | 13      | 70000357 | 24   | 5       |
| 70000247 | 20   | 62      | 70000312 | 38   | 17      | 70000358 | 28   | 57      |
| 70000248 | 18   | 39      | 70000314 | 8    | 41      | 70000359 | 26   | 5       |
| 70000251 | 18   | 16      | 70000317 | 24   | 36      | 70000359 | 60   | 10      |
| 70000253 | 18   | 11      | 70000317 | 30   | 45      | 70000361 | 30   | 10      |
| 70000254 | 18   | 9       | 70000318 | 38   | 41      | 70000362 | 12   | 17      |
| 70000257 | 8    | 39      | 70000322 | 38   | 49      | 70000363 | 2    | 1       |
| 70000258 | 38   | 46      | 70000322 | 40   | 62      | 70000365 | 2    | 2       |
| 70000259 | 8    | 38      | 70000323 | 38   | 10      | 70000368 | 4    | 2       |
| 70000260 | 38   | 45      | 70000323 | 40   | 66      | 70000369 | 28   | 23      |
| 70000261 | 38   | 29      | 70000324 | 38   | 60      | 70000370 | 28   | 22      |
| 70000262 | 38   | 30      | 70000325 | 38   | 11      | 70000372 | 28   | 6       |
| 70000263 | 52   | 2       | 70000326 | 38   | 21      | 70000373 | 28   | 7       |
| 70000263 | 58   | 3       | 70000327 | 38   | 1       | 70000374 | 30   | 4       |
| 70000264 | 52   | 1       | 70000328 | 38   | 19      | 70000375 | 30   | 5       |
| 70000264 | 58   | 2       | 70000329 | 38   | 9       | 70000379 | 28   | 8       |
| 70000265 | 52   | 6       | 70000332 | 52   | 7       | 70000380 | 22   | 6       |
| 70000266 | 12   | 11      | 70000334 | 4    | 5       | 70000380 | 24   | 24      |
| 70000267 | 12   | 10      | 70000335 | 16   | 70      | 70000381 | 38   | 35      |
| 70000267 | 38   | 40      | 70000336 | 16   | 67      | 70000382 | 38   | 36      |
| 70000268 | 18   | 42      | 70000337 | 16   | 66      | 70000383 | 26   | 22      |
| 70000269 | 32   | 3       | 70000338 | 52   | 5       | 70000384 | 26   | 9       |
| 70000270 | 22   | 29      | 70000339 | 52   | 8       | 70000385 | 26   | 25      |
| 70000270 | 24   | 28      | 70000340 | 52   | 4       | 70000386 | 26   | 24      |
| 70000273 | 38   | 34      | 70000341 | 8    | 26      | 70000387 | 26   | 6       |
| 70000275 | 28   | 29      | 70000342 | 20   | 64      | 70000388 | 26   | 16      |
| 70000276 | 28   | 28      | 70000343 | 22   | 33      | 70000389 | 26   | 17      |
| 70000277 | 28   | 34      | 70000344 | 28   | 3       | 70000390 | 26   | 18      |
| 70000280 | 30   | 11      | 70000345 | 28   | 4       | 70000391 | 26   | 11      |
| 70000282 | 28   | 40      | 70000346 | 24   | 37      | 70000392 | 26   | 12      |

From the library of: Diamond Needle Corp

NUMERICAL INDEX OF PARTS

| PART NO  | PAGE | REF NO. | PART NO  | PAGE | REF NO. | PART NO  | PAGE | REF NO. |
|----------|------|---------|----------|------|---------|----------|------|---------|
| 70000393 | 26   | 13      | 70000449 | 8    | 43      | 70000485 | 52   | 18      |
| 70000394 | 26   | 14      | 70000450 | 28   | 9       | 70000490 | 4    | 4       |
| 70000395 | 26   | 15      | 70000452 | 4    | 25      | 70000493 | 4    | 28      |
| 70000396 | 26   | 3       | 70000452 | 26   | 28      | 70000494 | 4    | 27      |
| 70000397 | 26   | 1       | 70000452 | 60   | 9       | 70000495 | 28   | 10      |
| 70000398 | 26   | 4       | 70000453 | 4    | 24      | 70000496 | 36   | 65      |
| 70000399 | 32   | 30      | 70000453 | 26   | 27      | 70000496 | 62   | 18      |
| 70000399 | 56   | 20      | 70000454 | 44   | 34      | 70000497 | 16   | 72      |
| 70000400 | 32   | 31      | 70000454 | 46   | 30      | 70000498 | 14   | 34      |
| 70000401 | 32   | 38      | 70000454 | 48   | 30      | 70000498 | 18   | 15      |
| 70000402 | 32   | 28      | 70000454 | 50   | 29      | 70000498 | 26   | 26      |
| 70000403 | 32   | 33      | 70000455 | 44   | 20      | 70000498 | 56   | 19      |
| 70000404 | 4    | 22      | 70000455 | 46   | 16      | 70000499 | 36   | 66      |
| 70000405 | 22   | 12      | 70000455 | 48   | 16      | 70000500 | 34   | 56      |
| 70000406 | 22   | 4       | 70000455 | 50   | 15      | 70000500 | 36   | 72      |
| 70000407 | 22   | 3       | 70000456 | 44   | 21      | 70000500 | 62   | 37      |
| 70000409 | 22   | 32      | 70000456 | 46   | 23      | 70000501 | 18   | 54      |
| 70000410 | 22   | 31      | 70000456 | 48   | 23      | 70000502 | 28   | 44      |
| 70000410 | 24   | 34      | 70000456 | 50   | 22      | 70000503 | 12   | 33      |
| 70000410 | 30   | 32      | 70000458 | 30   | 30      | 70000503 | 28   | 39      |
| 70000413 | 22   | 25      | 70000458 | 34   | 29      | 70000504 | 18   | 58      |
| 70000414 | 22   | 37      | 70000460 | 8    | 13      | 70000505 | 14   | 57      |
| 70000415 | 22   | 24      | 70000461 | 24   | 16      | 70000505 | 22   | 11      |
| 70000416 | 22   | 36      | 70000462 | 24   | 18      | 70000505 | 34   | 60      |
| 70000419 | 36   | 62      | 70000463 | 24   | 6       | 70000505 | 36   | 71      |
| 70000420 | 36   | 63      | 70000464 | 24   | 7       | 70000505 | 62   | 31      |
| 70000422 | 30   | 39      | 70000465 | 24   | 15      | 70000506 | 22   | 14      |
| 70000423 | 30   | 40      | 70000466 | 24   | 17      | 70000508 | 8    | 21      |
| 70000428 | 38   | 20      | 70000467 | 24   | 8       | 70000508 | 24   | 27      |
| 70000429 | 30   | 41      | 70000469 | 14   | 44      | 70000508 | 30   | 55      |
| 70000430 | 8    | 31      | 70000470 | 24   | 31      | 70000509 | 30   | 51      |
| 70000431 | 8    | 30      | 70000471 | 24   | 30      | 70000510 | 32   | 15      |
| 70000432 | 12   | 14      | 70000472 | 24   | 35      | 70000511 | 22   | 9       |
| 70000433 | 30   | 36      | 70000473 | 24   | 26      | 70000512 | 28   | 13      |
| 70000434 | 32   | 6       | 70000474 | 24   | 23      | 70000513 | 14   | 20      |
| 70000435 | 30   | 16      | 70000475 | 24   | 20      | 70000513 | 16   | 86      |
| 70000436 | 32   | 5       | 70000476 | 24   | 21      | 70000513 | 26   | 10      |
| 70000437 | 12   | 13      | 70000477 | 24   | 33      | 70000514 | 24   | 38      |
| 70000438 | 52   | 3       | 70000478 | 24   | 9       | 70000514 | 30   | 47      |
| 70000438 | 58   | 4       | 70000479 | 24   | 1       | 70000515 | 2    | 21      |
| 70000443 | 2    | 5       | 70000480 | 36   | 64      | 70000515 | 4    | 29      |
| 70000444 | 54   | 1       | 70000481 | 6    | 28      | 70000515 | 18   | 43      |
| 70000445 | 12   | 34      | 70000482 | 52   | 16      | 70000515 | 32   | 39      |
| 70000446 | 30   | 12      | 70000483 | 52   | 17      | 70000515 | 34   | 21      |
| 70000448 | 26   | 23      | 70000484 | 52   | 14      | 70000516 | 4    | 21      |

From the library of: Diamond Needle Corp



NUMERICAL INDEX OF PARTS

| PART NO  | PAGE | REF NO. | PART NO  | PAGE | REF NO. | PART NO  | PAGE | REF NO. |
|----------|------|---------|----------|------|---------|----------|------|---------|
| 70000516 | 16   | 61      | 70000538 | 34   | 59      | 70000573 | 6    | 40      |
| 70000517 | 20   | 66      | 70000538 | 36   | 73      | 70000574 | 4    | 3       |
| 70000517 | 22   | 27      | 70000538 | 62   | 32      | 70000575 | 38   | 59      |
| 70000517 | 32   | 32      | 70000540 | 52   | 19      | 70000576 | 26   | 8       |
| 70000518 | 4    | 23      | 70000541 | 52   | 20      | 70000577 | 4    | 16      |
| 70000518 | 26   | 30      | 70000542 | 28   | 11      | 70000577 | 6    | 35      |
| 70000518 | 38   | 38      | 70000543 | 2    | 10      | 70000578 | 12   | 9       |
| 70000518 | 42   | 17      | 70000544 | 2    | 11      | 70000578 | 32   | 20      |
| 70000519 | 26   | 7       | 70000545 | 18   | 7       | 70000579 | 44   | 23      |
| 70000520 | 6    | 22      | 70000545 | 22   | 23      | 70000579 | 46   | 18      |
| 70000520 | 38   | 18      | 70000546 | 8    | 51      | 70000579 | 48   | 18      |
| 70000521 | 8    | 33      | 70000547 | 44   | 22      | 70000579 | 50   | 17      |
| 70000521 | 18   | 49      | 70000547 | 46   | 17      | 70000580 | 44   | 31      |
| 70000521 | 32   | 35      | 70000547 | 48   | 17      | 70000580 | 46   | 25      |
| 70000521 | 38   | 31      | 70000547 | 50   | 36      | 70000580 | 48   | 25      |
| 70000522 | 2    | 8       | 70000548 | 30   | 21      | 70000580 | 50   | 24      |
| 70000522 | 8    | 40      | 70000549 | 14   | 9       | 70000581 | 44   | 25      |
| 70000522 | 12   | 15      | 70000549 | 60   | 5       | 70000581 | 46   | 20      |
| 70000522 | 20   | 76      | 70000550 | 2    | 12      | 70000581 | 48   | 20      |
| 70000522 | 22   | 38      | 70000550 | 14   | 43      | 70000581 | 50   | 37      |
| 70000522 | 30   | 37      | 70000550 | 16   | 73      | 70000582 | 28   | 50      |
| 70000522 | 32   | 27      | 70000552 | 28   | 26      | 70000582 | 38   | 47      |
| 70000522 | 34   | 53      | 70000554 | 8    | 16      | 70000583 | 28   | 47      |
| 70000522 | 40   | 67      | 70000555 | 6    | 24      | 70000584 | 34   | 28      |
| 70000523 | 28   | 21      | 70000555 | 14   | 46      | 70000586 | 2    | 13      |
| 70000524 | 32   | 37      | 70000557 | 26   | 21      | 70000587 | 20   | 68      |
| 70000525 | 22   | 13      | 70000558 | 30   | 6       | 70000588 | 12   | 4       |
| 70000525 | 24   | 29      | 70000558 | 62   | 23      | 70000589 | 44   | 26      |
| 70000526 | 16   | 71      | 70000559 | 14   | 14      | 70000589 | 46   | 36      |
| 70000526 | 42   | 15      | 70000560 | 18   | 33      | 70000589 | 48   | 36      |
| 70000527 | 40   | 65      | 70000561 | 24   | 11      | 70000589 | 50   | 39      |
| 70000528 | 4    | 12      | 70000561 | 36   | 77      | 70000590 | 18   | 13      |
| 70000528 | 34   | 37      | 70000562 | 8    | 17      | 70000590 | 22   | 39      |
| 70000529 | 2    | 22      | 70000563 | 4    | 26      | 70000590 | 24   | 32      |
| 70000530 | 30   | 52      | 70000563 | 6    | 20      | 70000590 | 28   | 24      |
| 70000531 | 22   | 7       | 70000563 | 26   | 29      | 70000590 | 30   | 28      |
| 70000531 | 24   | 25      | 70000564 | 8    | 6       | 70000590 | 32   | 25      |
| 70000532 | 38   | 13      | 70000565 | 8    | 7       | 70000592 | 34   | 24      |
| 70000532 | 40   | 68      | 70000566 | 34   | 48      | 70000593 | 12   | 24      |
| 70000533 | 38   | 37      | 70000567 | 14   | 35      | 70000593 | 18   | 23      |
| 70000534 | 38   | 5       | 70000569 | 6    | 37      | 70000598 | 14   | 28      |
| 70000535 | 8    | 10      | 70000570 | 6    | 36      | 70000600 | 28   | 58      |
| 70000536 | 8    | 50      | 70000571 | 26   | 19      | 70000601 | 28   | 12      |
| 70000537 | 36   | 67      | 70000572 | 14   | 26      | 70000602 | 28   | 35      |
| 70000538 | 18   | 31      | 70000572 | 30   | 48      | 70000603 | 32   | 36      |

From the library of: Diamond Needle Corp

NUMERICAL INDEX OF PARTS

| PART NO  | PAGE | REF NO. | PART NO  | PAGE | REF NO. | PART NO  | PAGE | REF NO. |
|----------|------|---------|----------|------|---------|----------|------|---------|
| 70000604 | 34   | 25      | 70000657 | 40   | 64      | 70000711 | 38   | 58      |
| 70000605 | 34   | 43      | 70000658 | 38   | 22      | 70000712 | 38   | 55      |
| 70000606 | 36   | 68      | 70000658 | 42   | 14      | 70000713 | 38   | 48      |
| 70000608 | 34   | 9       | 70000659 | 2    | 14      | 70000714 | 38   | 54      |
| 70000609 | 36   | 69      | 70000660 | 6    | 29      | 70000715 | 38   | 44      |
| 70000610 | 26   | 31      | 70000661 | 18   | 17      | 70000716 | 38   | 43      |
| 70000611 | 44   | 27      | 70000662 | 28   | 36      | 70000717 | 38   | 56      |
| 70000611 | 46   | 27      | 70000664 | 34   | 14      | 70000720 | 32   | 23      |
| 70000611 | 48   | 27      | 70000665 | 28   | 41      | 70000721 | 32   | 21      |
| 70000611 | 50   | 26      | 70000666 | 28   | 31      | 70000728 | 12   | 27      |
| 70000612 | 8    | 52      | 70000667 | 22   | 5       | 70000728 | 18   | 18      |
| 70000613 | 20   | 65      | 70000669 | 34   | 15      | 70000729 | 12   | 28      |
| 70000614 | 22   | 34      | 70000670 | 2    | 15      | 70000729 | 18   | 19      |
| 70000615 | 44   | 28      | 70000671 | 2    | 16      | 70000731 | 30   | 38      |
| 70000615 | 46   | 31      | 70000672 | 2    | 17      | 70000732 | 30   | 44      |
| 70000615 | 48   | 31      | 70000673 | 34   | 49      | 70000733 | 30   | 24      |
| 70000615 | 50   | 30      | 70000674 | 38   | 16      | 70000734 | 30   | 22      |
| 70000616 | 24   | 12      | 70000675 | 38   | 14      | 70000735 | 34   | 58      |
| 70000617 | 52   | 13      | 70000676 | 12   | 31      | 70000735 | 36   | 74      |
| 70000618 | 44   | 29      | 70000677 | 12   | 12      | 70000735 | 62   | 16      |
| 70000618 | 46   | 21      | 70000678 | 18   | 27      | 70000736 | 6    | 10      |
| 70000618 | 48   | 21      | 70000679 | 20   | 69      | 70000737 | 8    | 11      |
| 70000618 | 50   | 20      | 70000681 | 30   | 8       | 70000738 | 28   | 48      |
| 70000619 | 8    | 8       | 70000682 | 30   | 27      | 70000739 | 28   | 49      |
| 70000620 | 8    | 9       | 70000683 | 30   | 3       | 70000740 | 28   | 46      |
| 70000626 | 14   | 29      | 70000684 | 30   | 7       | 70000741 | 28   | 45      |
| 70000627 | 14   | 30      | 70000685 | 30   | 26      | 70000744 | 6    | 34      |
| 70000628 | 14   | 37      | 70000686 | 30   | 42      | 70000745 | 6    | 23      |
| 70000629 | 14   | 23      | 70000688 | 30   | 31      | 70000748 | 18   | 41      |
| 70000630 | 16   | 69      | 70000689 | 30   | 43      | 70000749 | 18   | 40      |
| 70000631 | 38   | 3       | 70000693 | 38   | 6       | 70000750 | 8    | 29      |
| 70000632 | 12   | 23      | 70000694 | 8    | 18      | 70000751 | 22   | 8       |
| 70000633 | 12   | 22      | 70000694 | 28   | 51      | 70000752 | 22   | 30      |
| 70000635 | 12   | 20      | 70000695 | 8    | 37      | 70000753 | 2    | 18      |
| 70000636 | 12   | 26      | 70000696 | 8    | 42      | 70000754 | 2    | 19      |
| 70000637 | 12   | 16      | 70000697 | 24   | 13      | 70000755 | 4    | 30      |
| 70000638 | 12   | 25      | 70000698 | 28   | 37      | 70000757 | 56   | 3       |
| 70000639 | 12   | 19      | 70000699 | 8    | 36      | 70000758 | 56   | 14      |
| 70000640 | 12   | 3       | 70000700 | 8    | 20      | 70000759 | 56   | 4       |
| 70000643 | 12   | 2       | 70000701 | 8    | 15      | 70000760 | 56   | 5       |
| 70000646 | 12   | 5       | 70000703 | 24   | 14      | 70000761 | 56   | 18      |
| 70000652 | 14   | 25      | 70000704 | 14   | 59      | 70000763 | 56   | 13      |
| 70000653 | 14   | 24      | 70000706 | 54   | 2       | 70000767 | 58   | 6       |
| 70000654 | 12   | 29      | 70000707 | 52   | 9       | 70000807 | 20   | 71      |
| 70000657 | 38   | 42      | 70000710 | 38   | 57      | 70000812 | 20   | 60      |



NUMERICAL INDEX OF PARTS

| PART NO     | PAGE | REF NO. |
|-------------|------|---------|
| 70000813    | 32   | 34      |
| 70000820    | 6    | 41      |
| 70000822    | 14   | 5       |
| 70000827    | 14   | 45      |
| 70000828    | 14   | 38      |
| 70000829    | 14   | 39      |
| 70000831    | 14   | 36      |
| 70000832    | 14   | 4       |
| 70000833    | 14   | 12      |
| 70000834    | 18   | 12      |
| 70000841    | 32   | 24      |
| 70000842    | 32   | 22      |
| 70000845    | 32   | 29      |
| 70000847    | 14   | 50      |
| 70000848    | 14   | 51      |
| 70000849    | 14   | 49      |
| 70000850    | 16   | 63      |
| 70000854    | 52   | 21      |
| 70000884    | 54   | 3       |
| 70000885    | 14   | 52      |
| 70000887    | 14   | 47      |
| 70000908    | 6    | 9       |
| 70000908    | 60   | 8       |
| 70000928    | 8    | 53      |
| 70001060    | 42   | 16      |
| MDC270B0800 | 56   | 22      |
| MDC270B0900 | 56   | 23      |
| MDC270B1100 | 56   | 21      |
| MDC270B1400 | 56   | 24      |
| MDC270B1600 | 56   | 25      |
| SS6111010TP | 8    | 59      |
| SS6120940SP | 8    | 58      |