



## **Spare parts list Katalog náhradních dílů**

# **525 - 101**

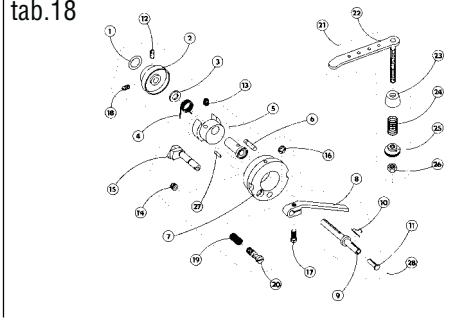
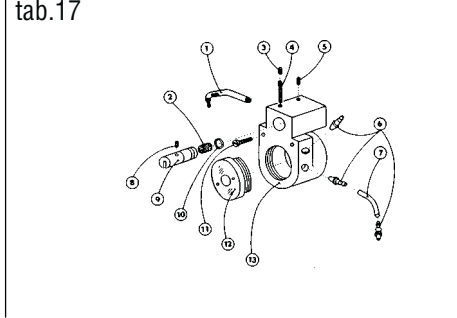
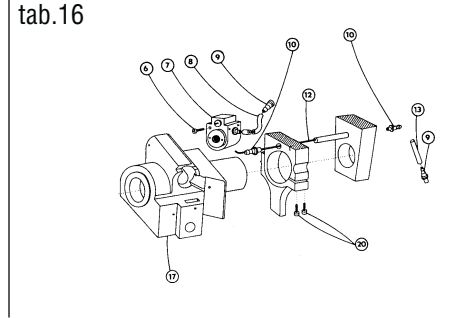
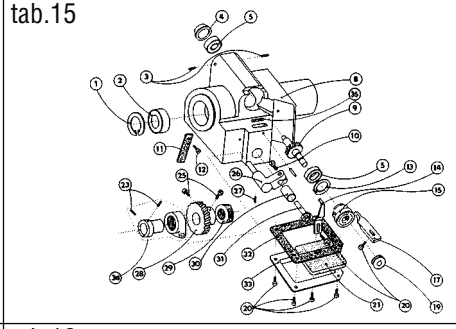
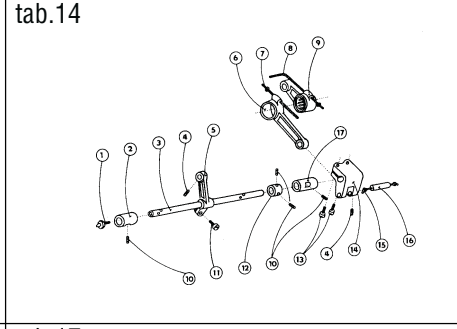
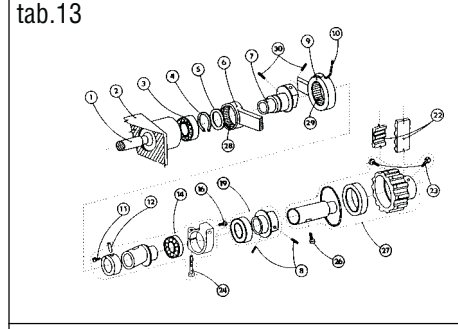
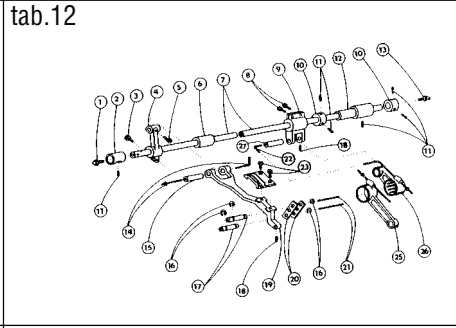
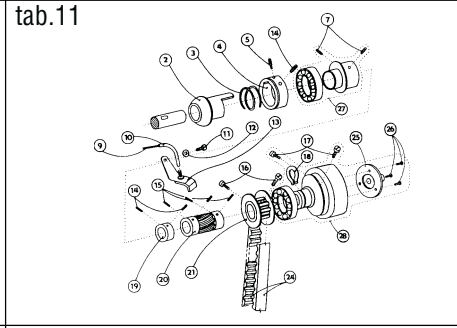
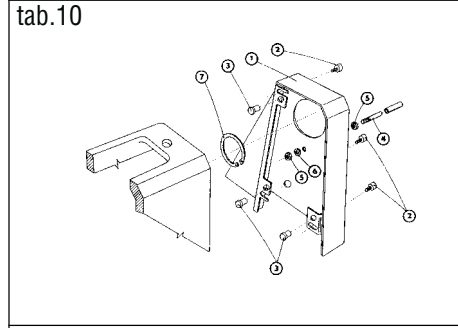
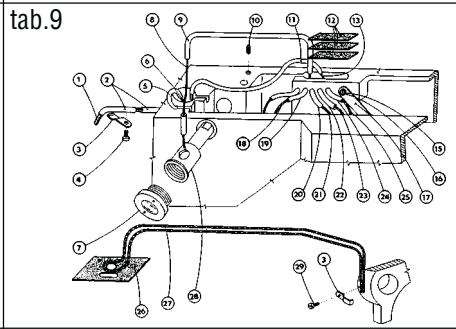
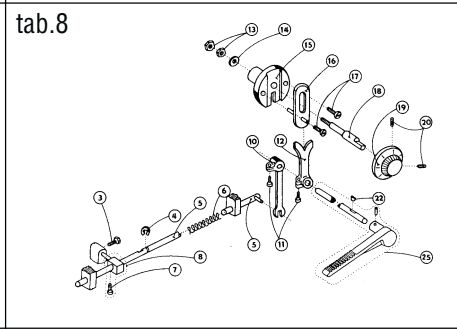
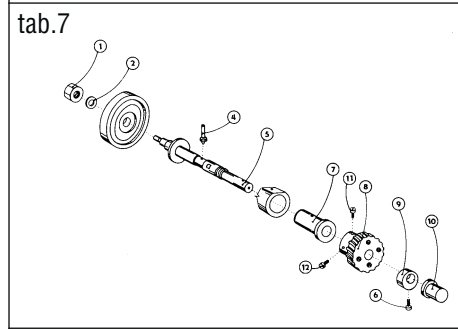
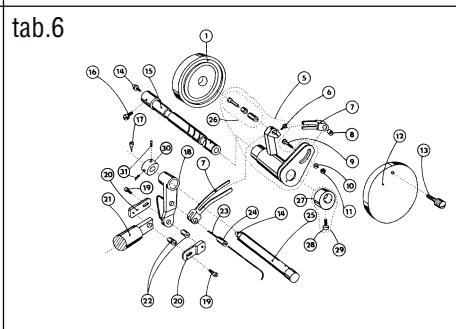
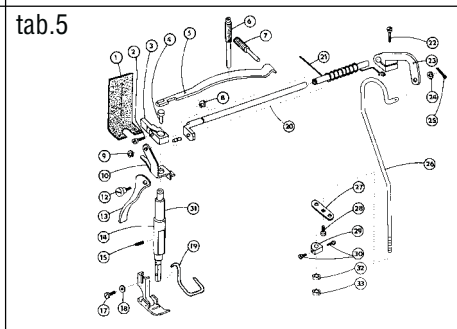
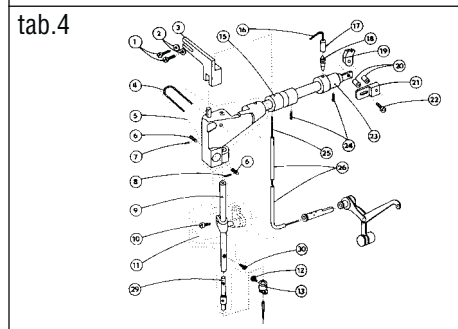
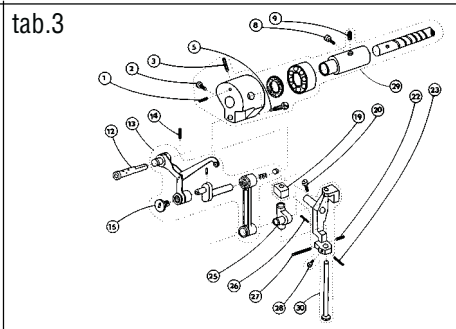
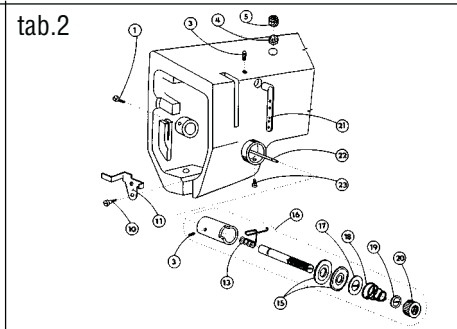
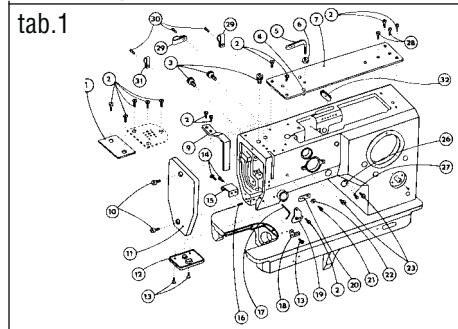
From the library of: Diamond Needle Corp

**Jednohlový šicí stroj s klikatým stehem, ponorným podáváním  
a ručním zpátkováním**

**Single needle lockstitch zigzag machine with bottom feed,  
manual backtacking**

**525-101**

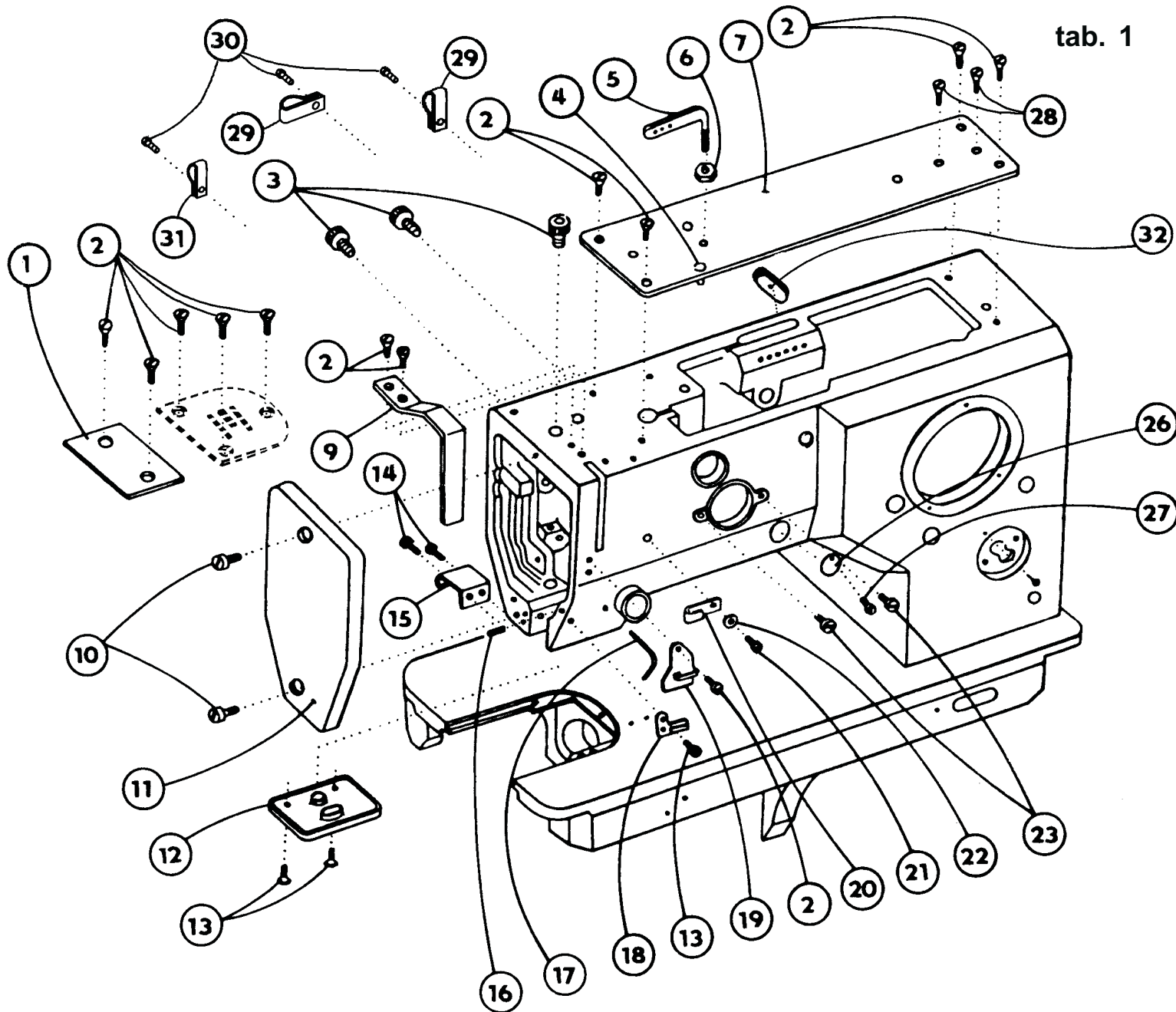
**OBSAH : - Contents:**  
**Dílce hlavy - Parts of head**



Číslo tabulky Table No.	Objednací číslo Ordered No.		Název objektu Denomination
tab.19	S980 008250		Chapač Hook
<b>Příbal - Enclosed accessories</b>			
tab. 20	S980 099038	Standard	Zvláštní příslušenství /1 Accessories/1
tab. 21	S980 099038	Standard	Zvláštní příslušenství /2 Accessories/2
tab. 22	S980 099038	Standard	Zvláštní příslušenství /3 Accessories/3
tab. 23	S980 099038	Standard	Zvláštní příslušenství /4 Accessories/4
tab. 24	S980 099038	Standard	Zvláštní příslušenství /5 Accessories/5
tab. 25	S980 092229	Standard	SND Spare parts kit
<b>Nutné vybavení - Necessary equipment</b>			
tab. 26	S791 995068	Standard	Díly pro zpátkování pedálem Parts of backtacking (with pedal)
tab. 27	S791 642037	Standard	Vačka Cam
tab. 27	S791 642049	Standard	Vačka Cam
<b>Šicí vybavení - Sewing equipment</b>			
Tabulka šicích vybavení - Table of sewing equipments			
tab. 28	S791 124033 35		Šicí vybavení Sewing equipment
tab. 28	S791 124034 35		Šicí vybavení Sewing equipment
tab. 29	S791 124032 35	Standard	Šicí vybavení Sewing equipment
tab. 29	S791 224075 35		Šicí vybavení Sewing equipment
tab. 30	S791 400023		Vedení pro sešívání Guiding for stitching together
<b>Volitelné vybavení - Optional equipment</b>			
tab. 31	S791 149001		Vybavení pro obnitkování okrajů Attachment for serging operation
tab. 32	S791 235002		Odvíjecí zařízení Roller holder
tab. 33	S791 224074		Stehová deska Throat plate
tab. 34	S791 630002		Vybavení pro šití dvěma jehlami Equipment for sewing with two needles
tab. 35	S791 642038		Vačka pro ozdobné šití Cam
tab. 35	S791 642039		Vačka pro ozdobné šití Cam
tab. 35	S791 642040		Vačka pro ozdobné šití Cam
tab. 35	S791 642041		Vačka pro ozdobné šití Cam
tab. 35	S791 642042		Vačka pro ozdobné šití Cam
tab. 35	S791 642043		Vačka pro ozdobné šití Cam
tab. 35	S791 642044		Vačka pro ozdobné šití Cam
tab. 35	S791 642045		Vačka pro ozdobné šití Cam
tab. 35	S791 642046		Vačka pro ozdobné šití Cam
tab. 35	S791 642047		Vačka pro ozdobné šití Cam
tab. 35	S791 642048		Vačka pro ozdobné šití Cam
tab. 35	S791 642050		Vačka pro ozdobné šití

Číslo tabulky Table No.	Objednací číslo Ordered No.	Název objektu Denomination
tab. 35	S791 642051	Vačka pro ozdobné šití Cam
tab. 35	S791 642052	Vačka pro ozdobné šití Cam
tab. 35	S791 642053	Vačka pro ozdobné šití Cam
tab. 35	S791 642055	Vačka pro ozdobné šití Cam
tab. 36	S791 151016	Otevřená patka Hinged foot with front thread slit
tab. 36	S791 151017	Otevřená patka Hinged foot with front thread slit
tab. 37	S791 947001	Ustavovací přípravek Adjustment gauges
tab. 38	S741 610121 40	Sada rychlepotřebovatelných náhradních dílů High mortality spare parts kit
tab. 39	S794 222012	Návěsné osvětlení Sewing lamp

tab. 1

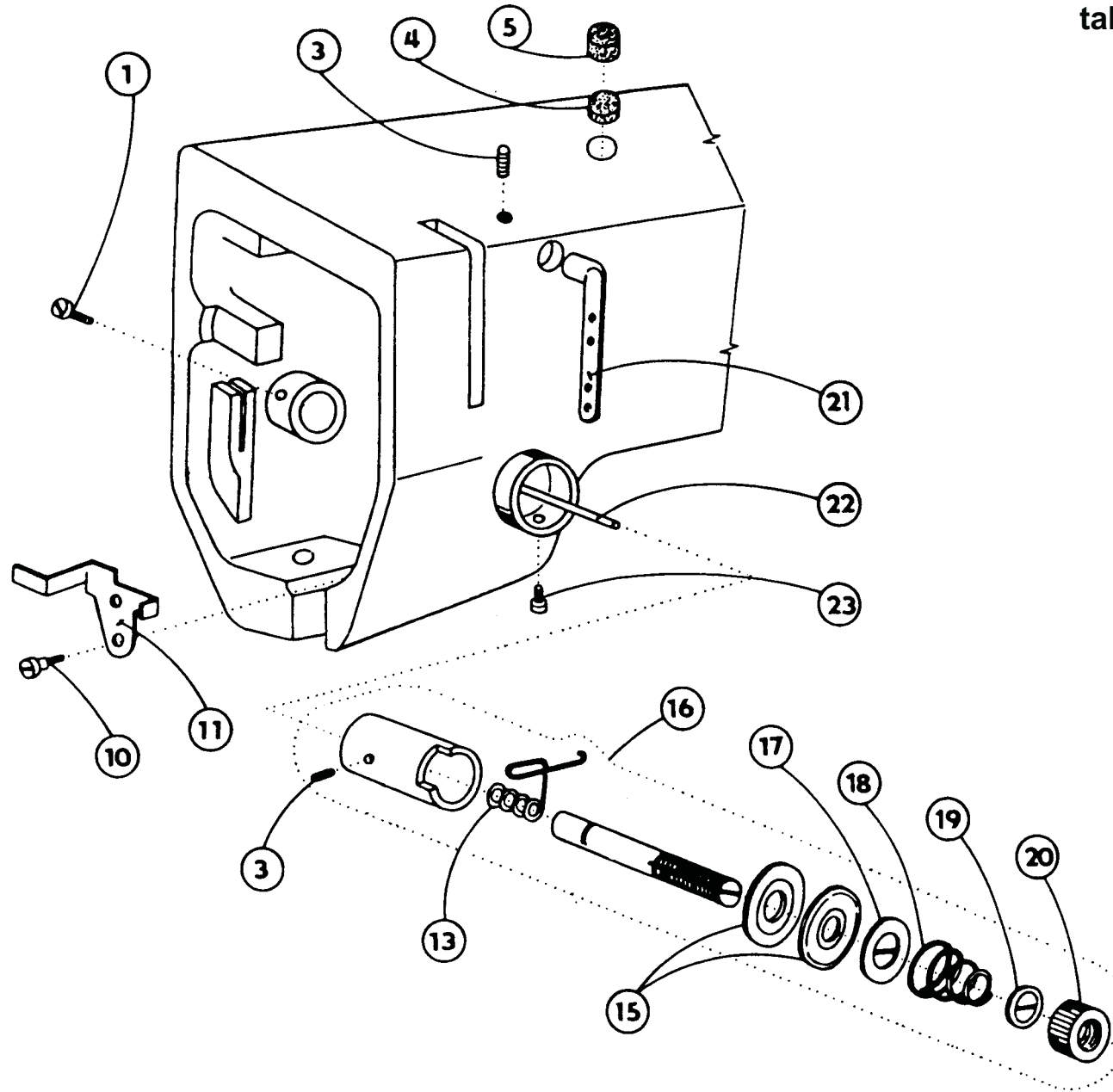


525 - 101

1	S080	647228
2	S080	123117
3	S321	001000
4	S080	840073
5	S080	313204
6	S080	161138
7	S080	815007
9	S080	831348
10	S080	120248
11	S080	721173
12	S080	827180
13	S080	123122
14	S080	126063
15	S080	823149
16	S080	111227
17	S080	271184
18	S080	821115
19	S080	821077
20	S080	821113
21	S080	120361
22	S080	190368
23	S080	132112
26	S080	831494
27	S080	123166
28	S080	132153
29	9840	120030
30	S080	120331
31	9840	120028
32	S321	012000

From the library of: [DiamondNet.com](http://www.diamondnet.com)

tab. 2

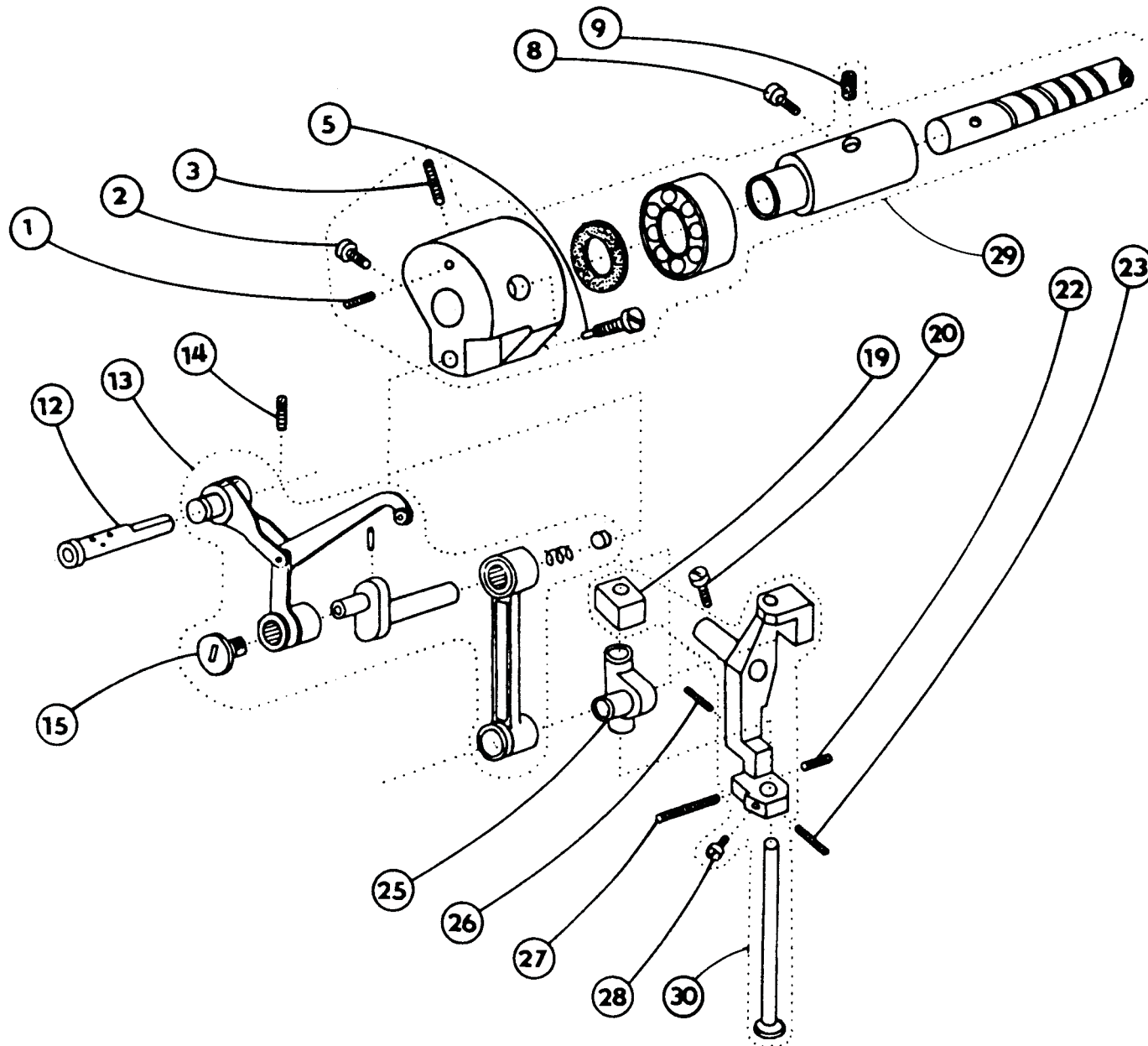


525 - 101

1	S080	120248
3	S080	111227
4	S080	945100
5	S080	945188
10	S080	131027
11	S080	822424
13	S315	264294
15	S080	828079
16	S980	025245
17	S080	828080
18	S080	262073
19	S080	195041
20	S080	171037
21	S080	272039
22	S080	310428
23	S080	120246

From the library of the University of Padova

tab. 3



525 - 101

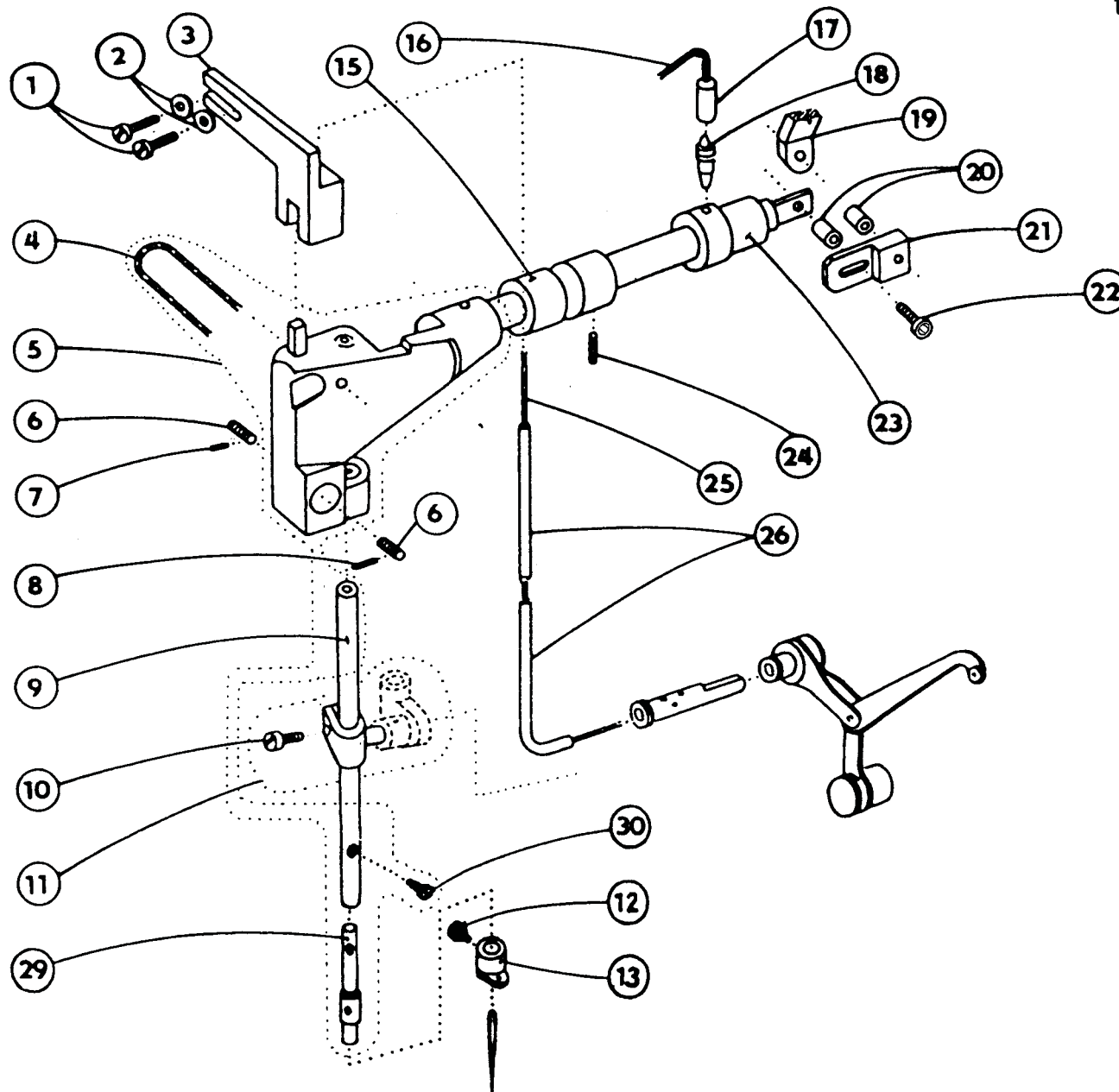
1	S080	111238
2	S080	122008
3	S080	112015
5	S080	138009
8	S080	120006
9	S080	953139
12	S080	328005
13	S980	044830
14	S080	112014
15	S080	120062
19	S080	953159
20	S080	120248
22	S080	111214
23	S080	111295
25	S080	452047
26	S080	111273
27	S080	111126
28	S080	120216
29	S980	043298
30	S980	035318

From the library of: Diamond Needle Corp



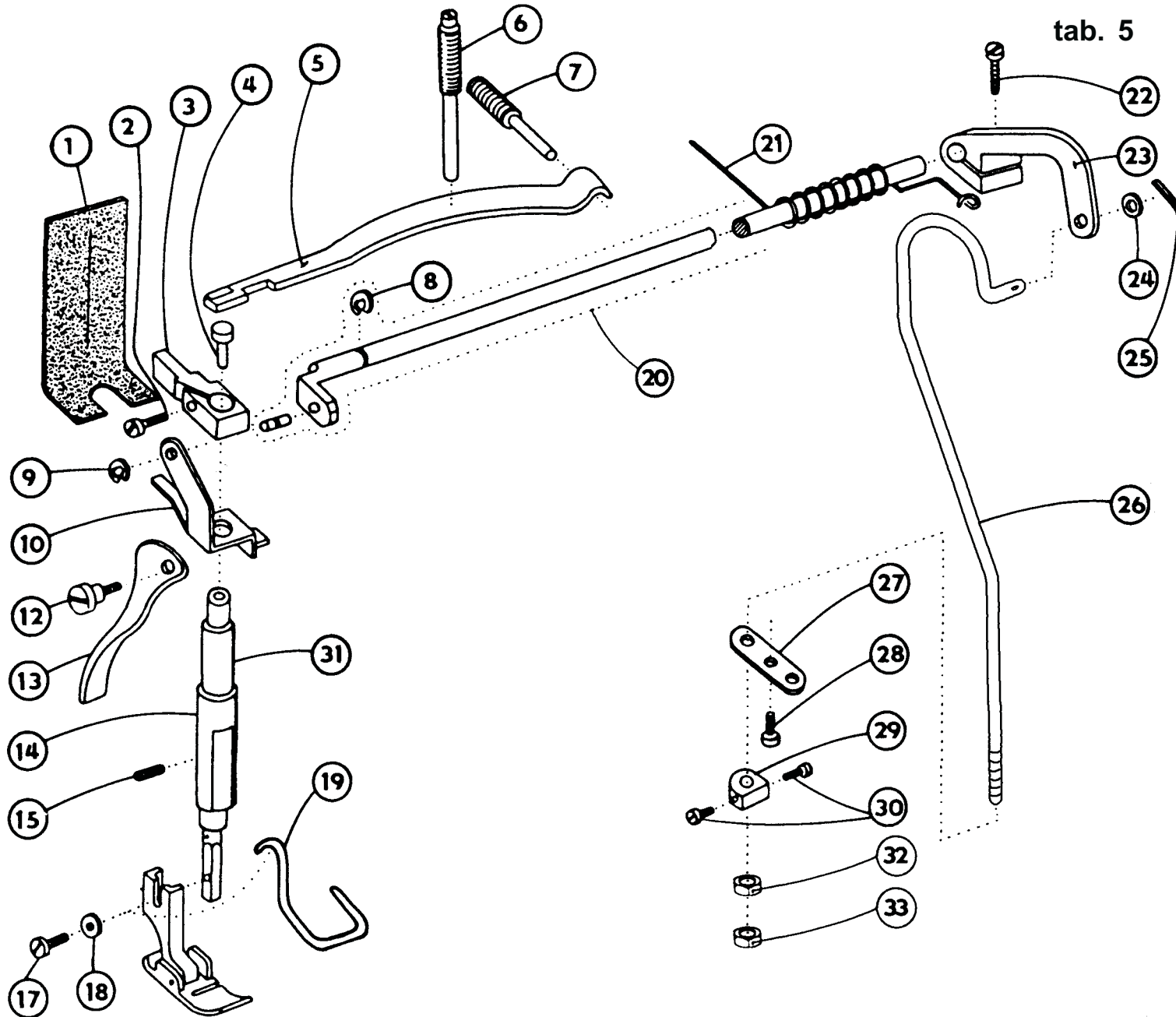
tab. 4

525 - 101



1	S080	120276
2	S080	190353
3	S080	646104
4	S708	002105
		∅ 1,5 x 80 mm
5	S980	021338
6	S080	113115
7	S080	111229
8	S080	111248
9	S080	391155
10	S080	124050
11	S980	035499
12	S080	135029
13	S080	627170
15	S080	413311
16	S708	002105
		∅ 1,5x 250 mm
17	S283	002005
		∅ 3,5/∅ 4,8 x 190 mm
18	S080	424051
19	S080	613519
20	S080	410595
21	S080	648132
22	S080	120589
23	S080	421341
24	S080	111222
25	S708	002105
		∅ 1,5 x 150 mm
26	S283	002005
		∅ 3,5/∅ 4,8 x 70 mm
29	S080	394167
30	S080	136082

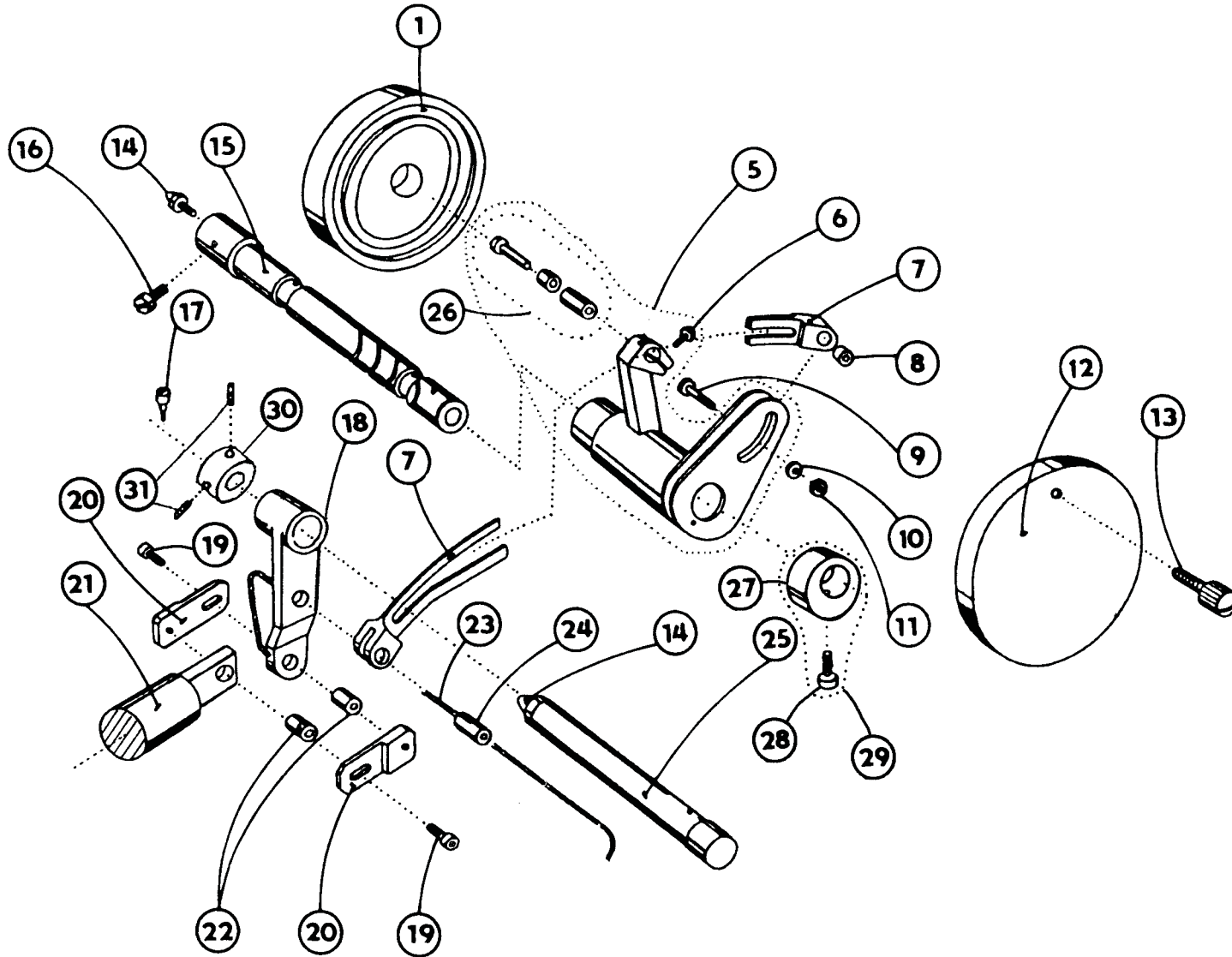
tab. 5



525 - 101

1	S080	945317
2	S080	120543
3	S080	623249
4	S080	326213
5	S080	283152
6	S080	113122
7	S080	113123
8	S311	732060
9	S311	732040
10	S080	839215
12	S080	136023
13	S080	615021
14	S080	421330
15	S080	112014
17	S080	120239
18	S080	190554
19	S080	271393
20	S980	060209
21	S080	264338
22	S080	120221
23	S080	633196
24	S080	190346
25	S080	271337
26	S080	382101
27	S080	814014
28	S080	120217
29	S080	436331
30	S080	120050
31	S080	392105
32	S080	161139
33	S080	161333

tab. 6

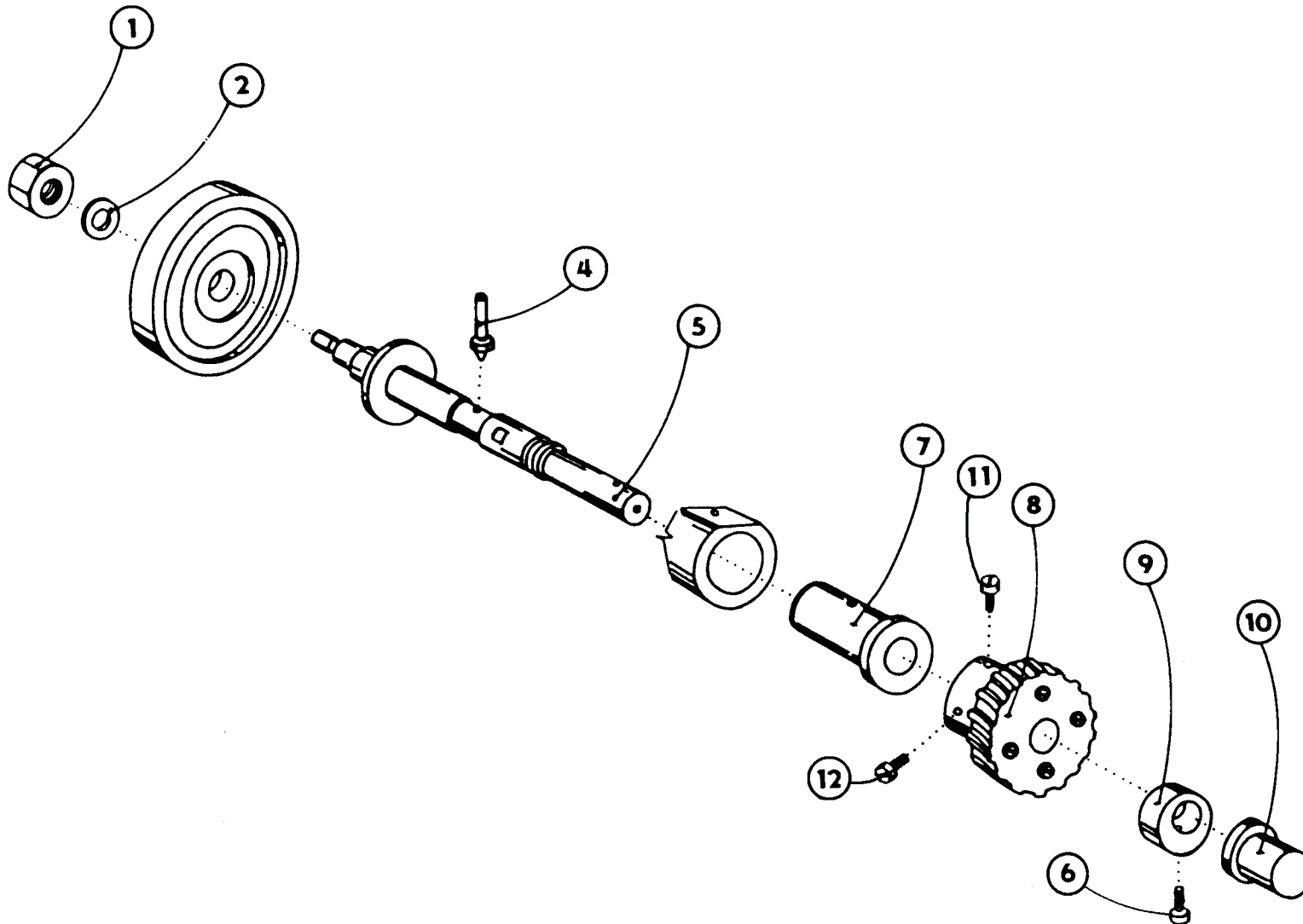


525 - 101

1	S080	674124
5	S980	044847
6	S080	141157
7	S080	632166
8	S080	410569
9	S980	043379
10	S080	190346
11	S080	161180
12	S321	951297
13	S080	133022
14	S425	041000
15	S080	335122
16	S080	120006
17	S080	132203
18	S080	613519
19	S080	120589
20	S080	648132
21	S980	021338
22	S080	410595
23	S708	130002
24	S080	318210
25	S080	320289
26	S980	035521
27	S080	436063
28	S080	120276
29	S980	046984
30	S080	436000
31	S080	112013

From the library of: Diamond Needle Corp

tab. 7

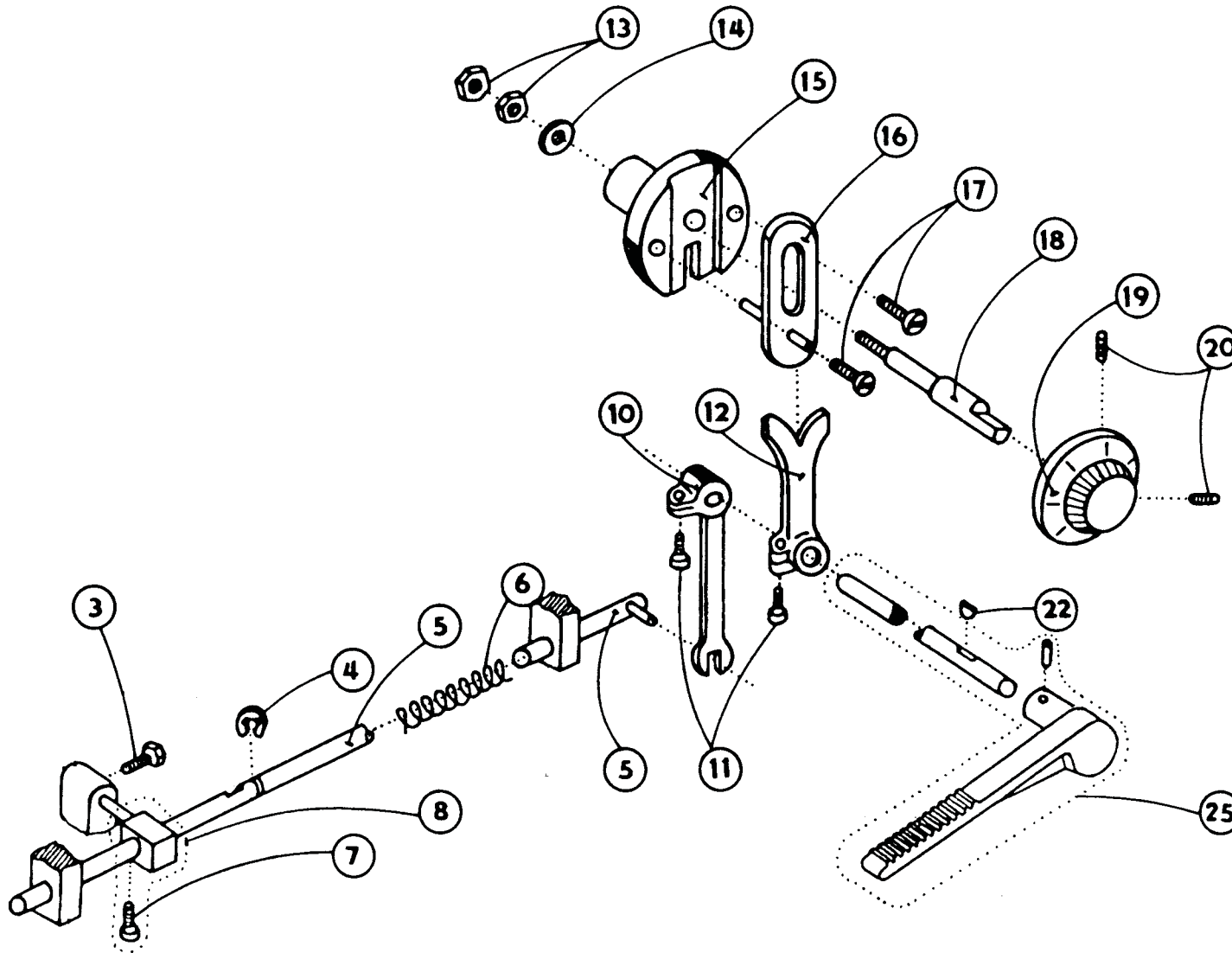


525 - 101

1	S080	161234
2	S080	191117
4	S080	441251
5	S980	043380
6	S080	120276
7	S080	413358
8	S980	045422
9	S080	436063
10	S080	422190
11	S080	122008
12	S080	135026

From the library of: Diamond Needle Corp.

tab. 8

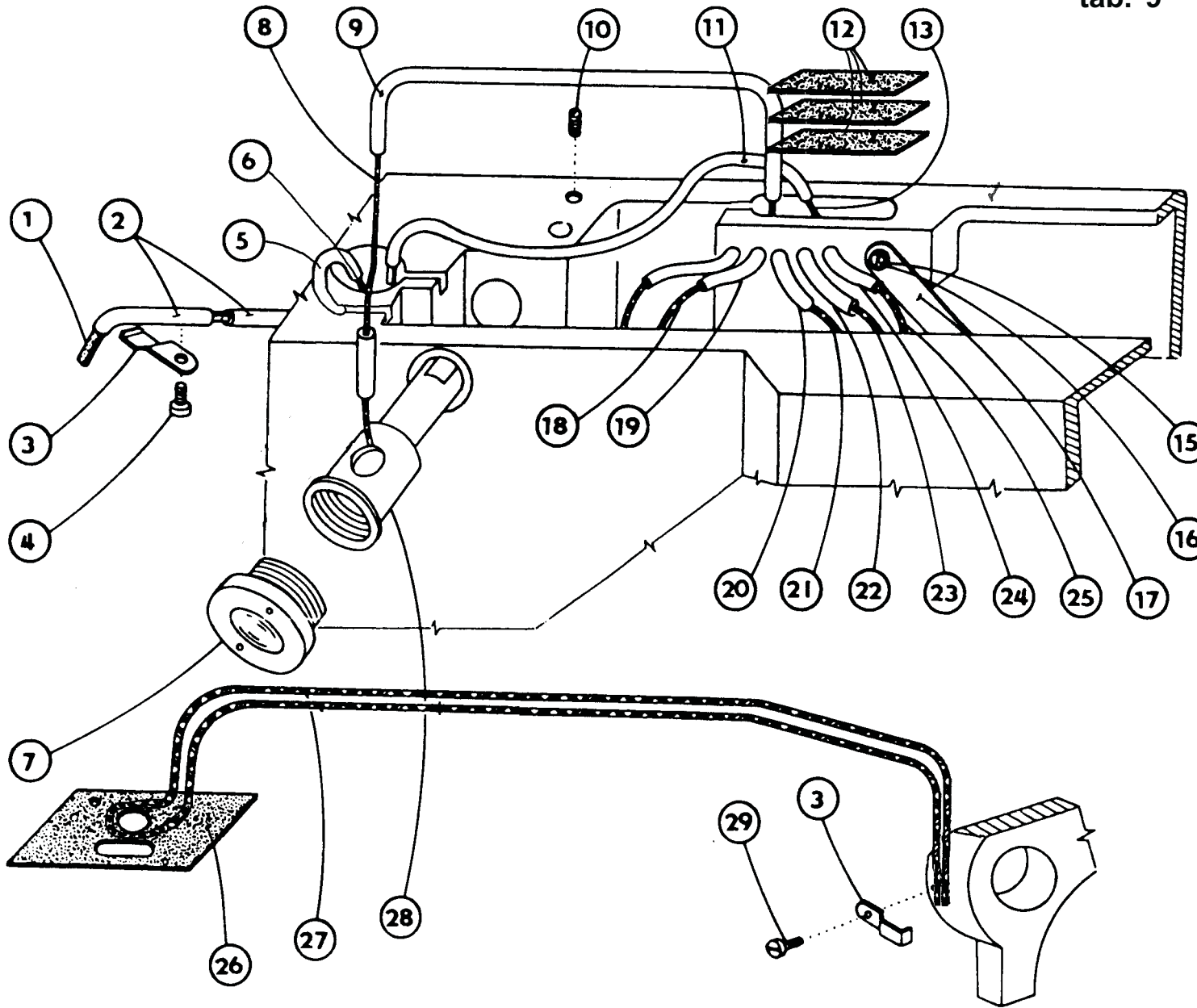


525 - 101

3	S080	141102
4	S311	732070
5	S980	043301
6	S080	260547
7	S080	120227
8	S980	022126
10	S080	613373
11	S080	120221
12	S080	613328
13	S080	161142
14	S080	192061
15	S080	441187
16	S980	049785
17	S080	120246
18	S080	342258
19	S980	233031
20	S080	112013
22	S311	728537
25	S980	044714

From the library of: Diamond Needle Corp

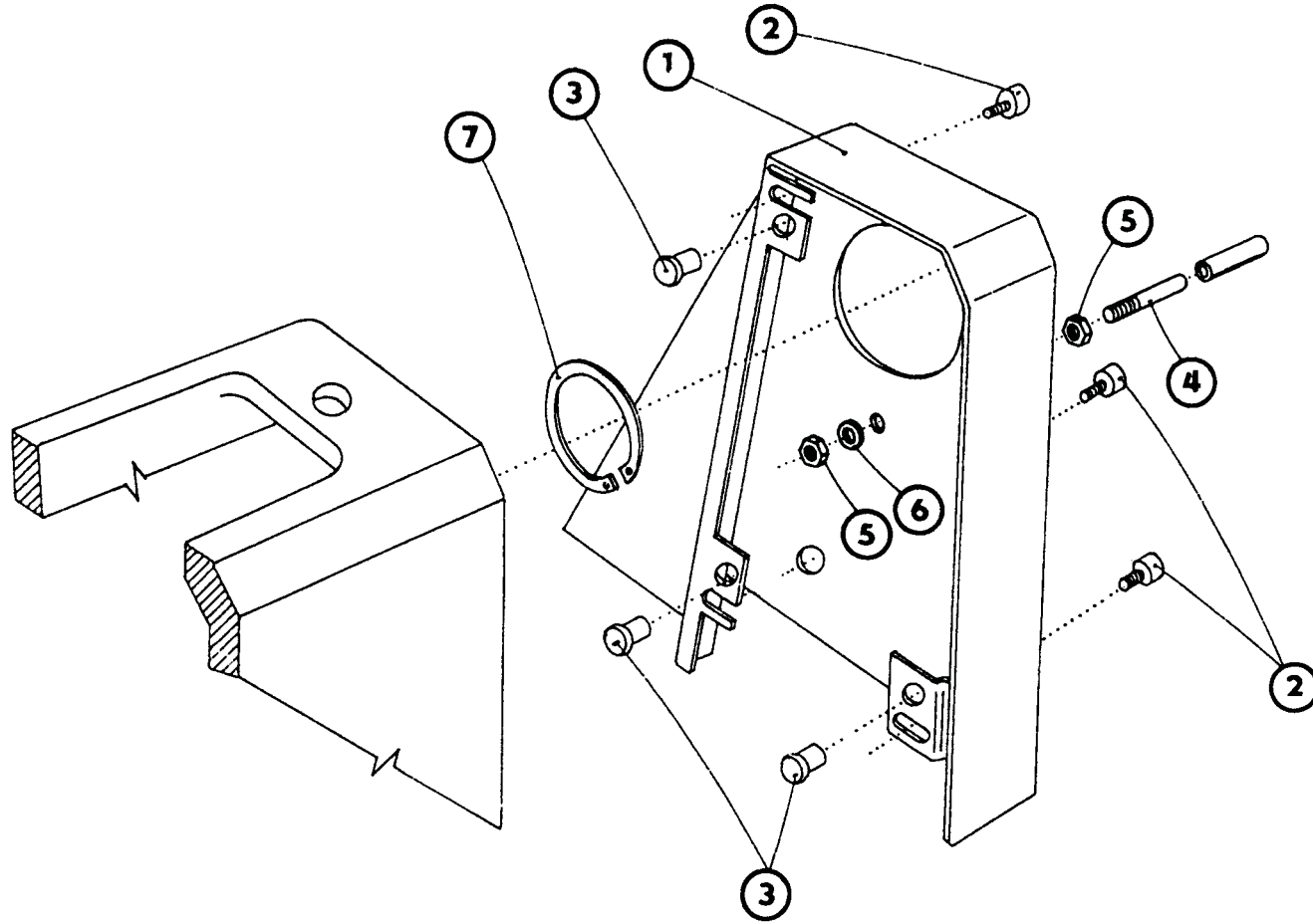
tab. 9



525 - 101

- |    |             |           |
|----|-------------|-----------|
| 1  | S080        | 945180    |
| 2  | S283        | 002005    |
|    | ø 3,5/ø 4,8 | x 65 mm   |
| 3  | S080        | 824095    |
| 4  | S080        | 120245    |
| 5  | S283        | 002005    |
|    | ø 3,5/ø 4,8 | x 80 mm   |
| 6  | S708        | 130002    |
|    | ø 2         | x 140 mm  |
| 7  | S321        | 001002    |
| 8  | S708        | 002105    |
|    | ø 1,5       | x 380 mm  |
| 9  | S283        | 002005    |
|    | ø 3,5/ø 4,8 | x 150 mm  |
| 10 | S080        | 111245    |
| 11 | S283        | 002005    |
|    | ø 3,5/ø 4,8 | x 150 mm  |
| 12 | S080        | 945316    |
| 13 | S708        | 002105    |
|    | ø 1,5       | x 380 mm  |
| 15 | S080        | 120259    |
| 16 | S080        | 190359    |
| 17 | S980        | 041209    |
| 18 | S708        | 130002    |
|    | ø 2         | x 320 mm  |
| 19 | S283        | 002005    |
|    | ø 3,5/ø 4,8 | x 250 mm  |
| 20 | S283        | 002005    |
|    | ø 3,5/ø 4,8 | x 160 mm  |
| 21 | S708        | 130002    |
|    | ø 2         | x 200 mm  |
| 22 | S283        | 002005    |
|    | ø 3,5/ø 4,8 | x 90 mm   |
| 23 | S708        | 130002    |
|    | ø 2         | x 130 mm  |
| 24 | S283        | 002005    |
|    | ø 3,5/ø 4,8 | x 100 mm  |
| 25 | S708        | 130002    |
|    | ø 2         | x 140 mm  |
| 26 | S080        | 945286    |
| 27 | S708        | 130004    |
|    | ø 4         | x 1120 mm |
| 28 | S080        | 441313    |
| 29 | S080        | 120216    |

tab. 10

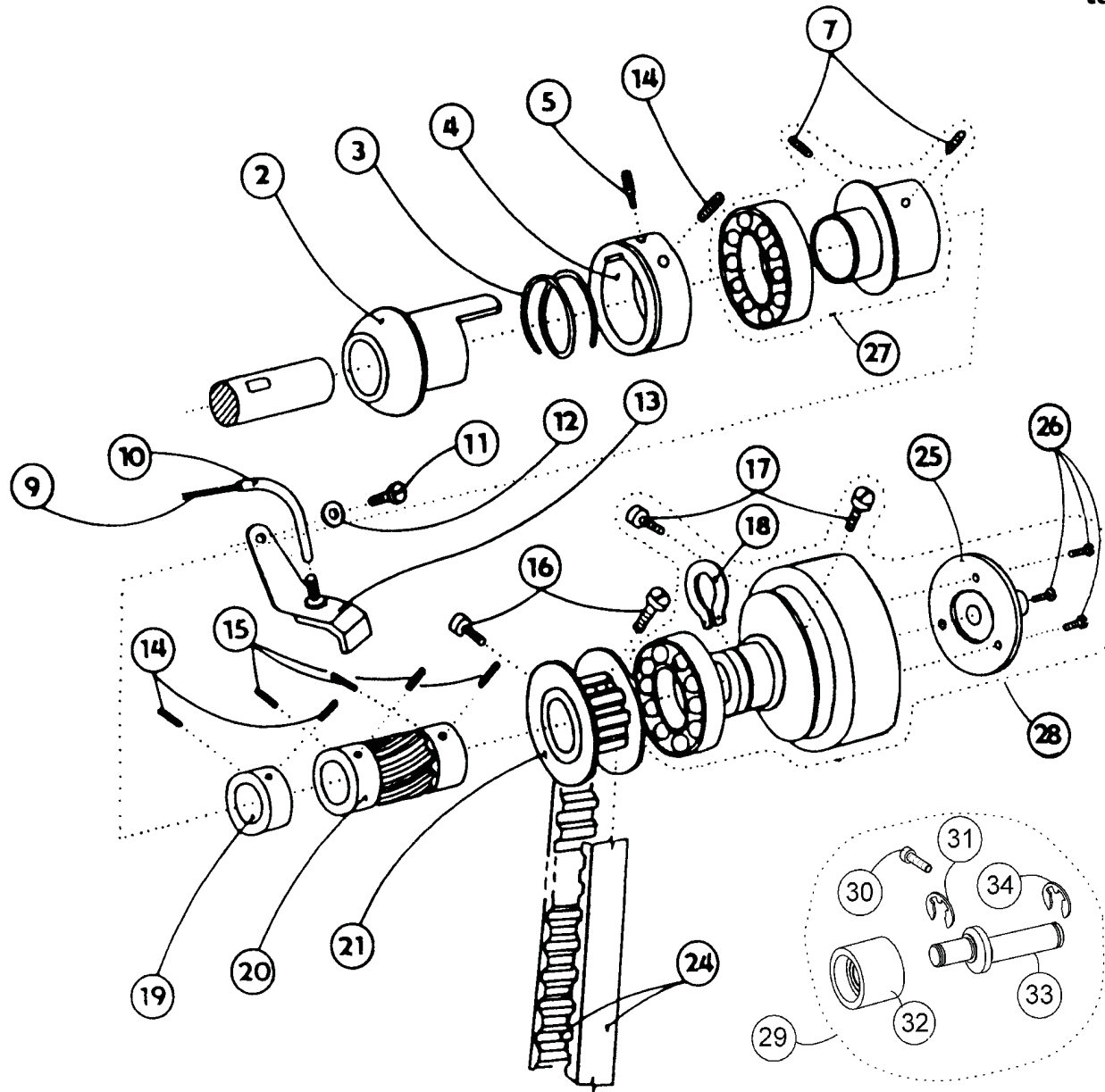


525 - 101

1	S980	041162
2	S080	120346
3	S273	005001
4	S080	316096
5	S080	161151
6	S080	191112
7	S311	733620

From the library of: Diamond Needle Corn

tab. 11



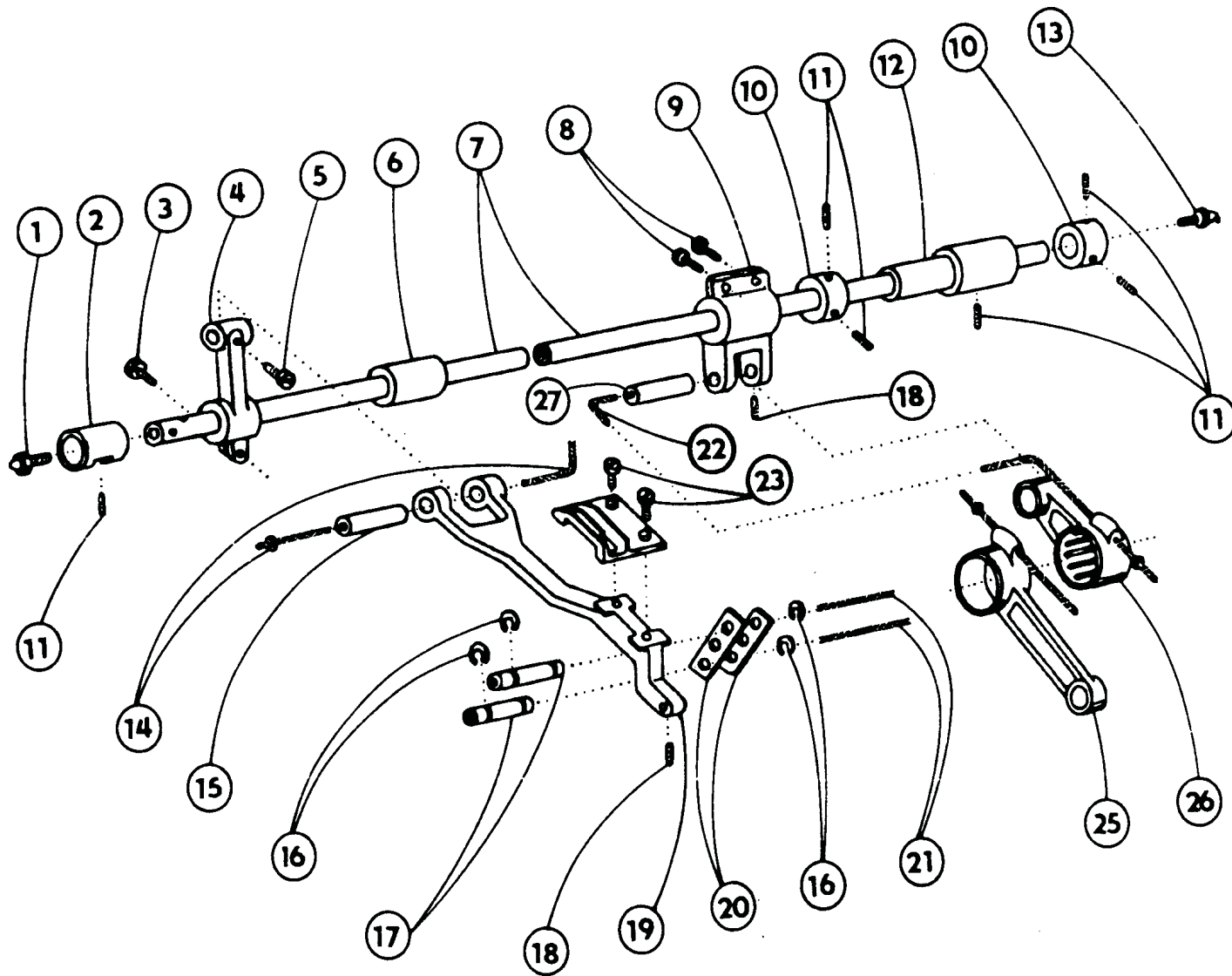
525 - 101

2	S080	441541
3	S080	260467
4	S080	436338
5	S080	113115
7	S080	111225
9	S708	130002
		∅ 2 x 130 mm
10	S283	002005
		∅ 3,5/∅ 4,8 x 90 mm
11	S080	120259
12	S080	190359
13	S980	041209
14	S080	112013
15	S080	111102
16	S080	122029
17	S080	120006
18	S311	733300
19	S080	436388
20	S080	570051
21	S980	045315
24	S272	011015
25	S080	442548
26	S080	120252
27	S980	035849
28	S980	045301
29	S981	043513
30	9205	102798
31	9352	000090
32	S980	045578
33	S080	338247
34	9352	000100

From the library of: Diamond Needle Corp



tab. 12

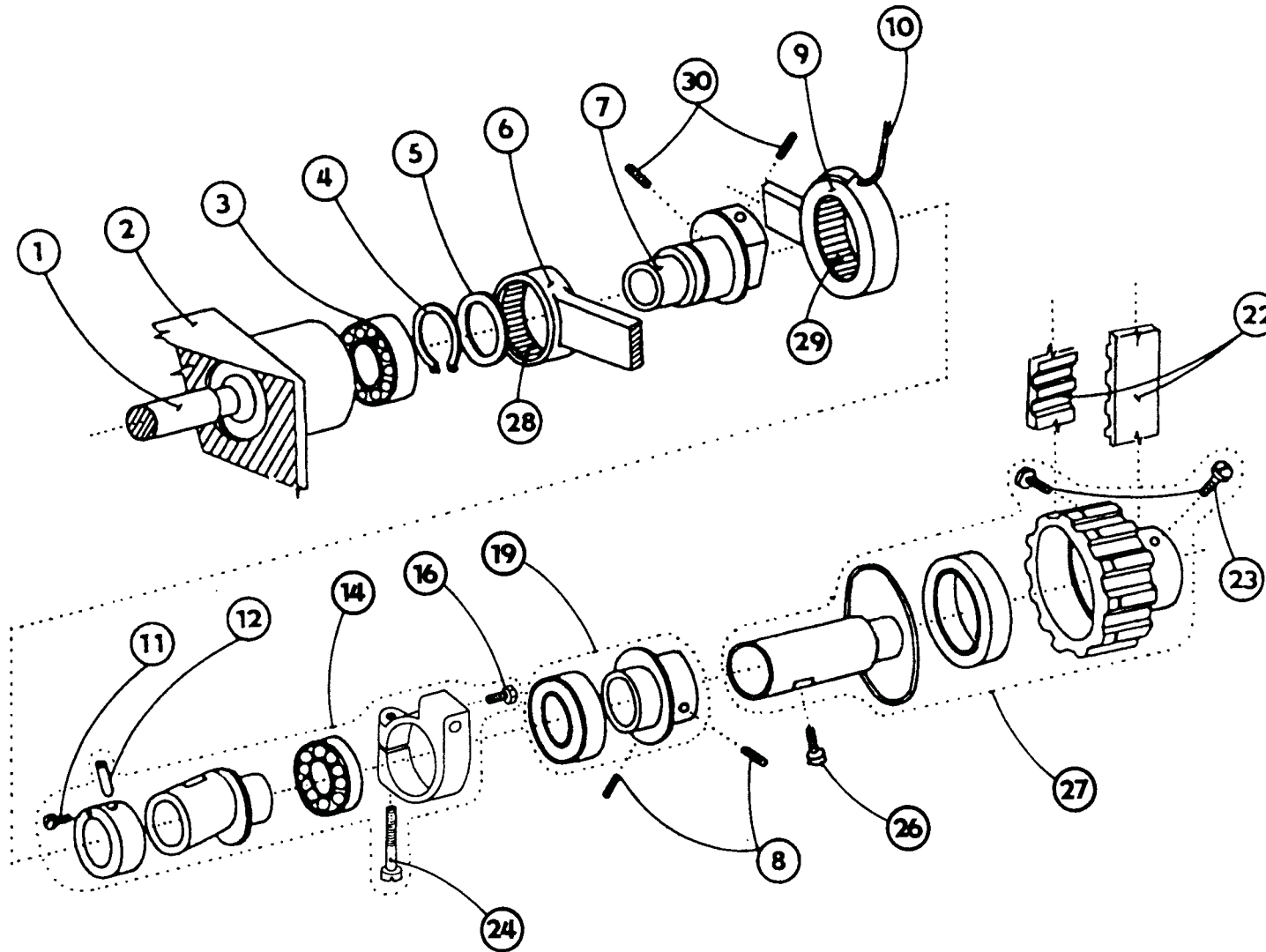


525 - 101

1	S425	041000
2	S080	413252
3	S080	141133
4	S080	613495
5	S080	124050
6	S080	410532
7	S080	345067
8	S080	120229
9	S080	613216
10	S080	436000
11	S080	112013
12	S080	412193
13	S425	061000
14	S708	002105
15	S080	338069
16	S311	732050
17	S080	318144
18	S080	111227
19	S080	622092
20	S080	612109
21	S708	002105
22	S708	002105
23	S080	121157
25	S080	630248
26	S980	044045
27	S080	344035

From the library of: Diamond Needle Corp.

tab. 13

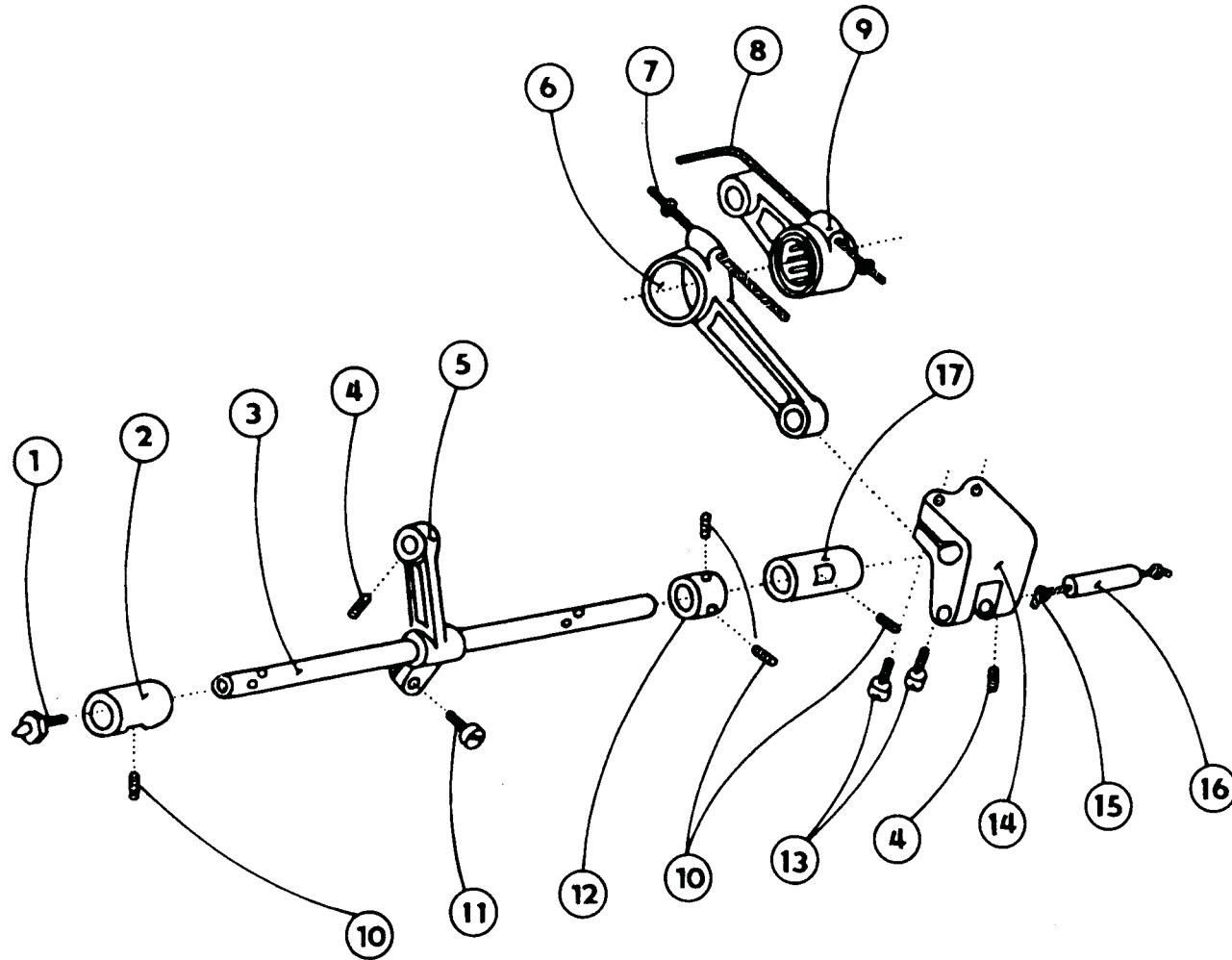


525 - 101

1	S080	342243
2	S080	724134
3	S324	020093
4	S311	733180
5	S080	814338
6	S080	630248
7	S080	671152
8	S080	112013
9	S980	044045
10	S708	002105
	ø 1,5 x 350 mm	
11	S080	141088
12	S080	318103
14	S980	035422
16	S080	141102
19	S980	035420
22	S272	011015
23	S080	122029
24	S080	120222
26	S080	122031
27	S980	045231
28	S324	510900
29	S324	512900
30	S080	111343

From the library of: Diamond Needle Corp

tab. 14

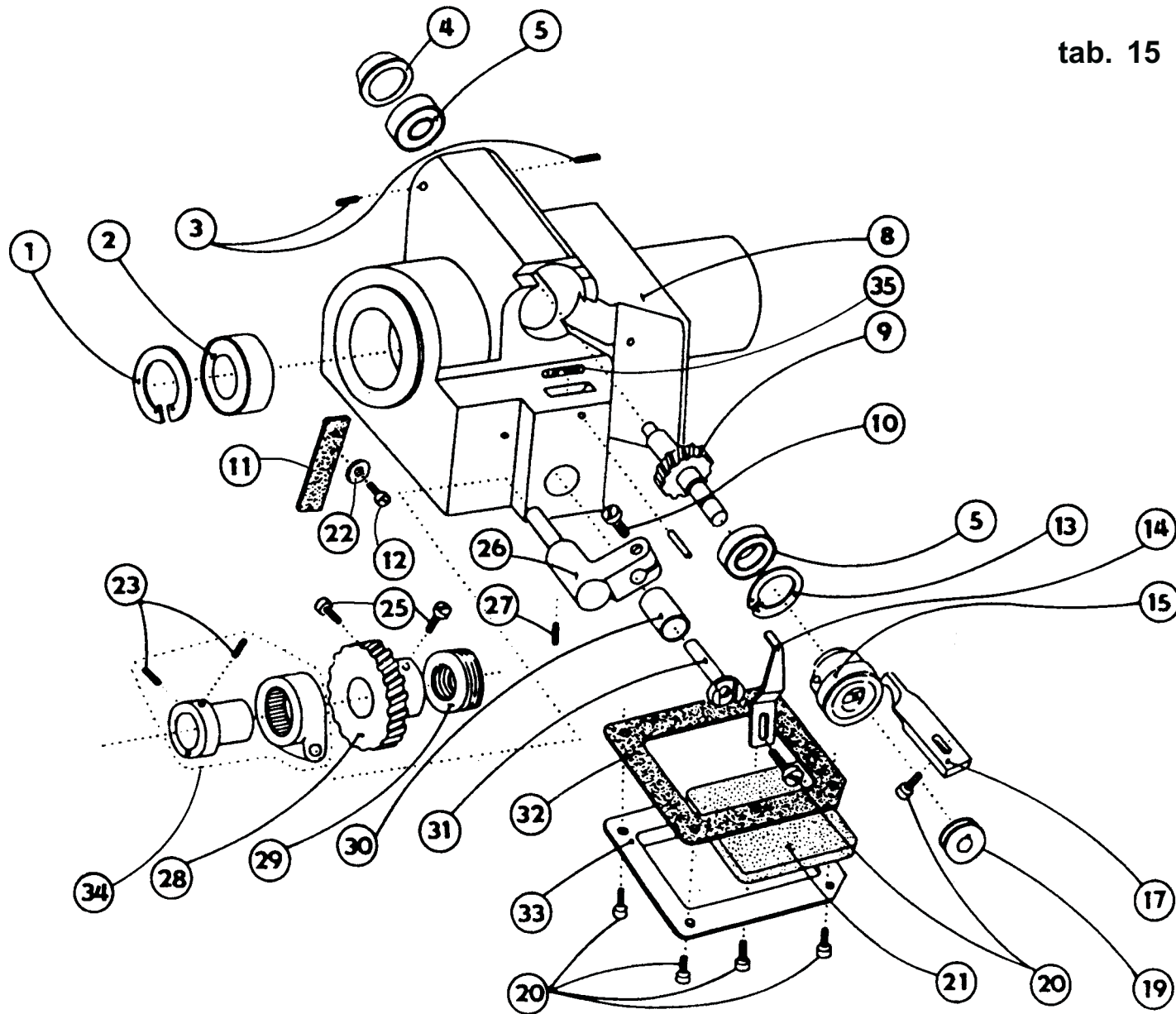


525 - 101

1	S425	041000
2	S080	413251
3	S080	345065
4	S080	111227
5	S080	613195
6	S080	630248
7	S708	002105
8	S708	002105
9	S980	044045
10	S080	112013
11	S080	120229
12	S080	436000
13	S080	120231
14	S080	613152
15	S708	130002
16	S080	344035
17	S080	410538

From the library of: Diamond Needle Corp

tab. 15

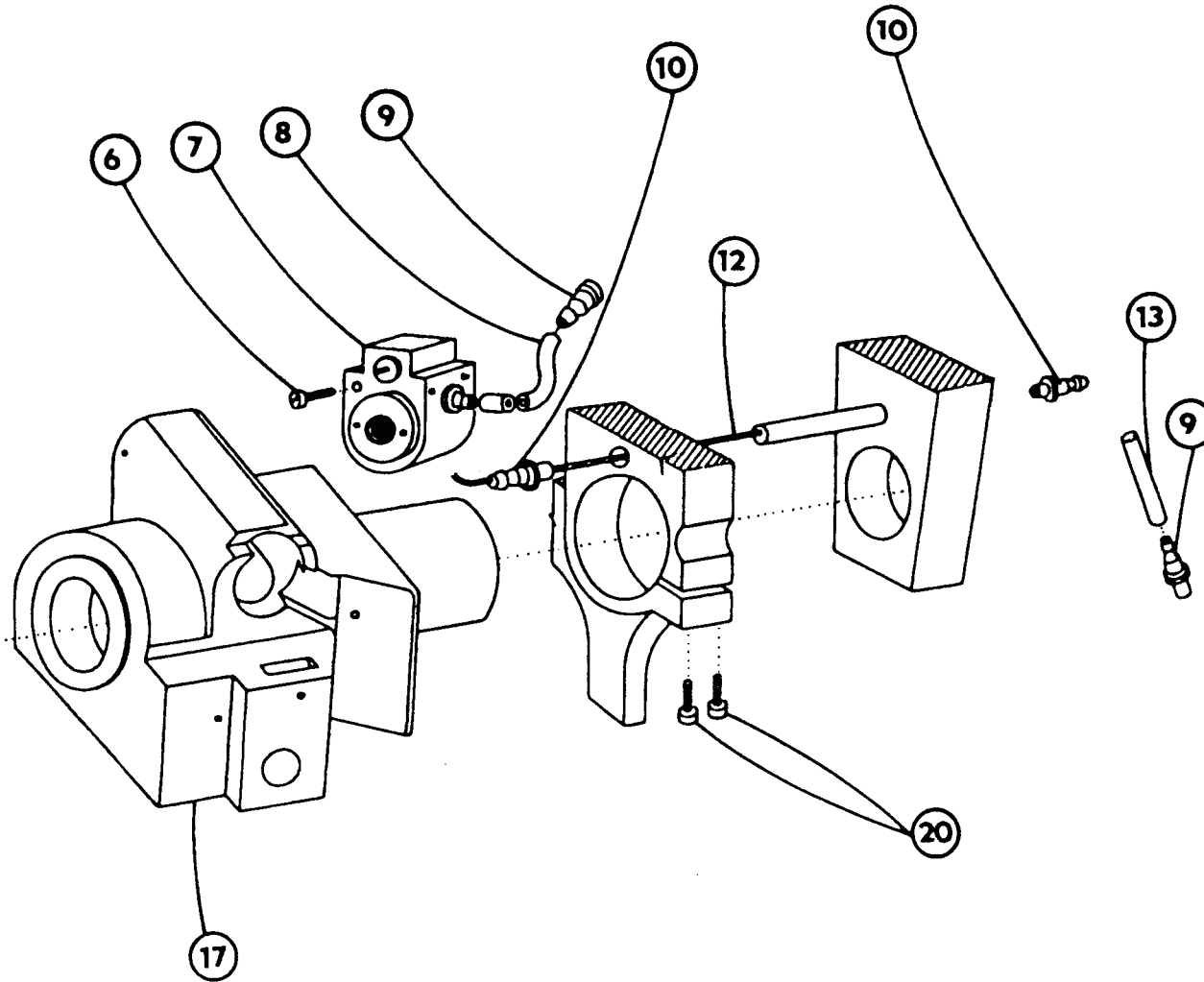


525 - 101

1	S311	733260
2	S324	920796
3	S080	111219
4	S080	441287
5	S324	910093
6	S080	724134
7	S080	552168
8	S080	120226
9	S080	945283
10	S080	120601
11	S311	733221
12	S080	825740
13	S980	008250
14	S080	825744
15	S080	685051
16	S080	120246
17	S080	945285
18	S080	190379
19	S080	111343
20	S080	122007
21	S080	613466
22	S080	111094
23	S080	552167
24	S324	010000
25	S080	410530
26	S080	323155
27	S080	990134
28	S080	827179
29	S980	035406
30	S708	130002
31	ø 2 x 40 mm	

From the library of: Diamond Needle Corp

tab. 16

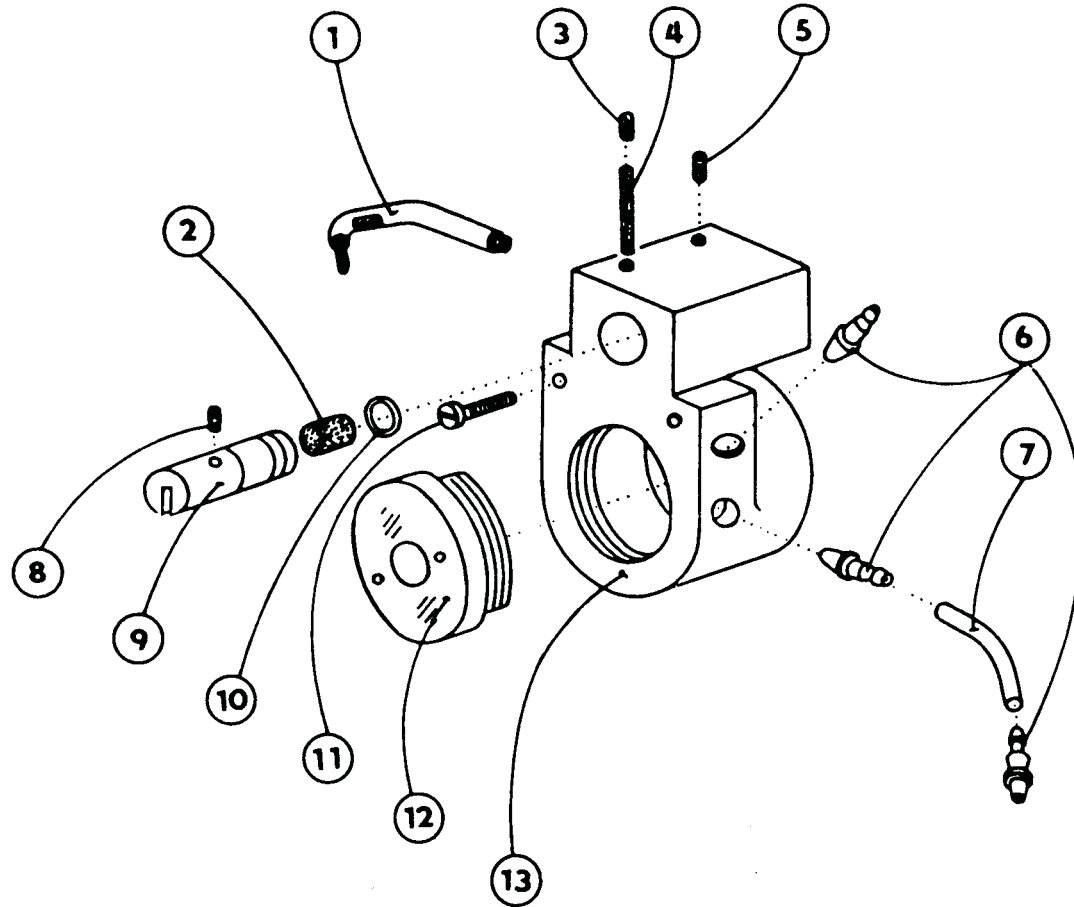


525 - 101

6	S080	120269
7	S980	035528
8	S283	002005 ø 3,5/ø 4,8 x 100 mm
9	S080	424051
10	S080	424060
12	S708	130005 ø 5 x 300 mm
13	S283	002001 ø 3,5/ø 4,8 x 170 mm
17	S080	724134
20	S080	120425

From the library of: Diamond Needle Corp

tab. 17



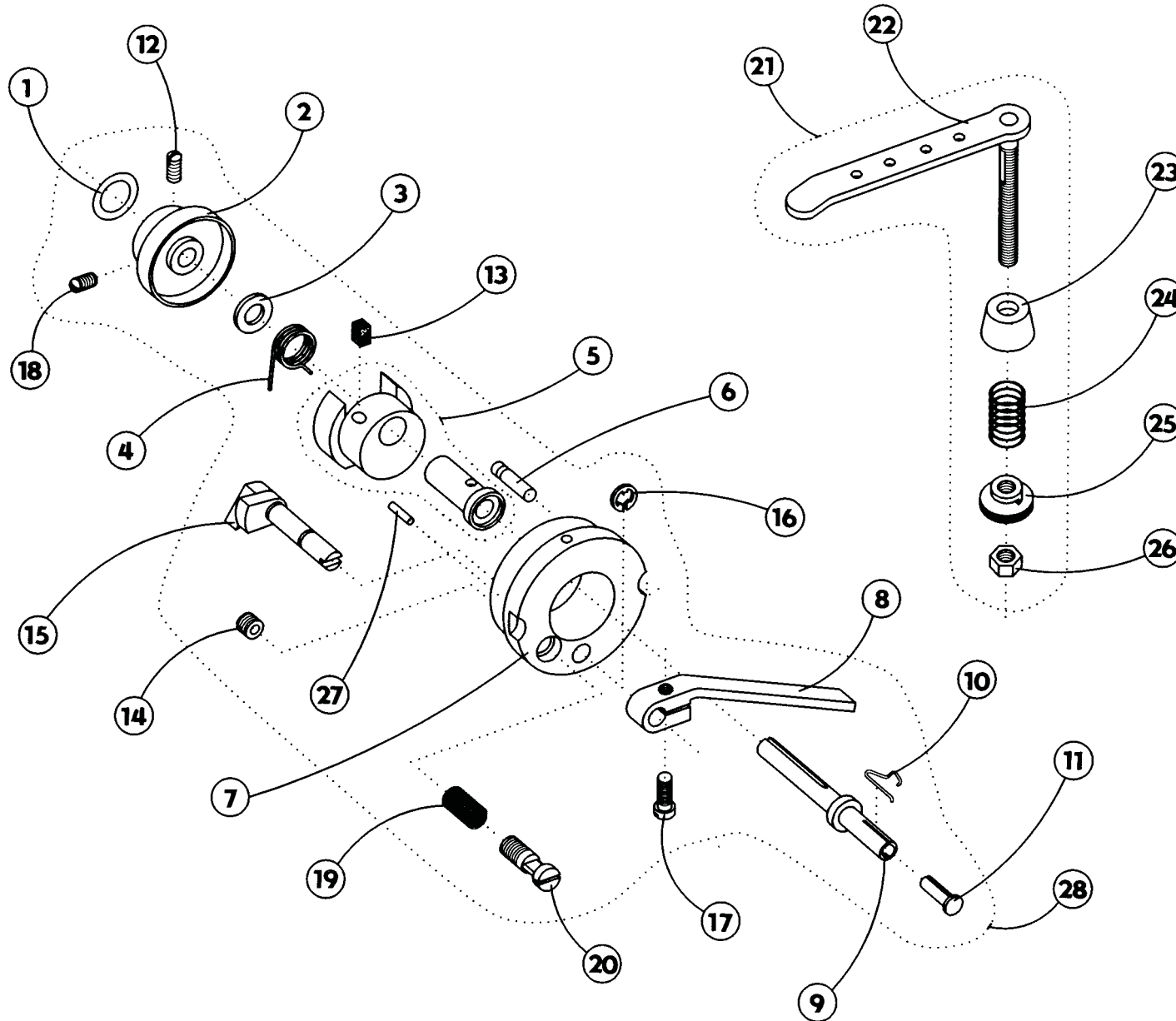
525 - 101

- |    |                      |        |
|----|----------------------|--------|
| 1  | S980                 | 035525 |
| 2  | S080                 | 945077 |
| 3  | S080                 | 111252 |
| 4  | S080                 | 945185 |
| 5  | S080                 | 111233 |
| 6  | S080                 | 424051 |
| 7  | S283                 | 002001 |
|    | ø 3,5/ø 4,8 x 100 mm |        |
| 8  | S080                 | 945170 |
| 9  | S080                 | 346053 |
| 10 | S273                 | 001001 |
| 11 | S080                 | 120269 |
| 12 | S321                 | 001002 |
| 13 | S080                 | 725023 |

From the library of: Diamond Needs Company

tab. 18

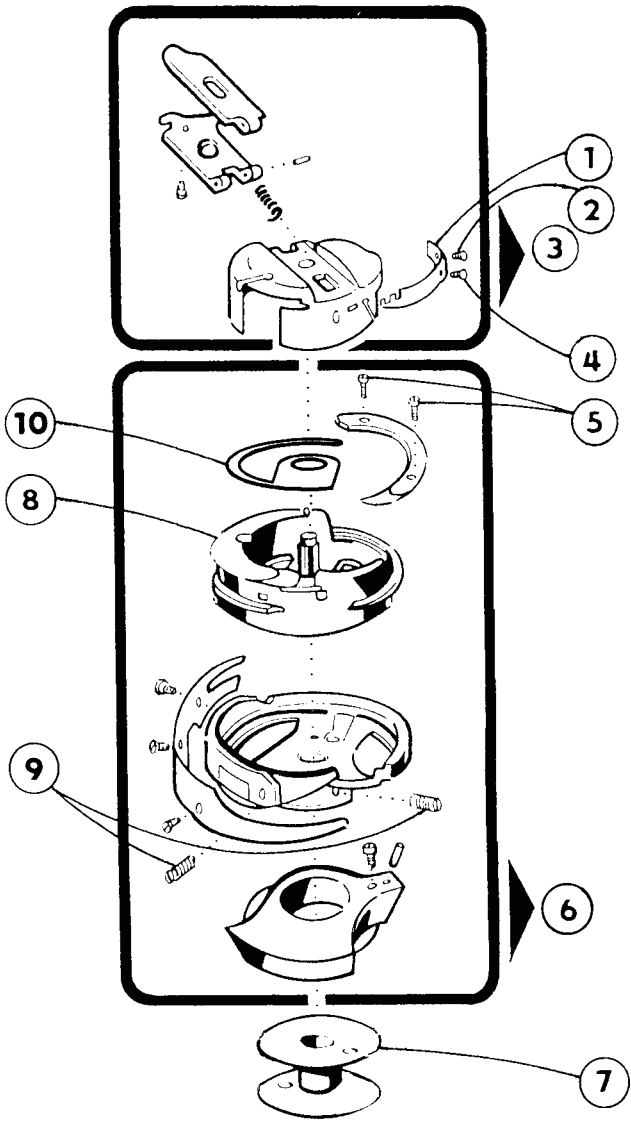
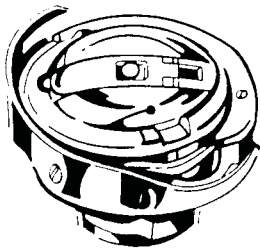
525 - 101



From the library of: **Diamond Needle Corp**

1	S273	025410
2	S080	441560
3	S080	190593
4	S080	264281
5	S980	035654
6	S080	310377
7	S080	441308
8	S080	613468
9	S080	343074
10	S080	265037
11	S321	953200
12	S080	112115
13	S080	945296
14	S080	111094
15	S080	672174
16	S311	732040
17	S080	124050
18	S080	111230
19	S080	260483
20	S080	870170
21	S980	025248
22	S980	025249
23	S080	827194
24	S080	260510
25	S080	163106
26	S080	161138
27	S311	515091
28	S980	036122

tab. 19



525 - 101

S980 008250

1	S080	690029
2	S080	683063
3	S980	081133
4	S080	683053
5	S080	683064
6	S980	081126
7	S080	685051
8	S080	677023
9	S080	683067
10	S080	690034

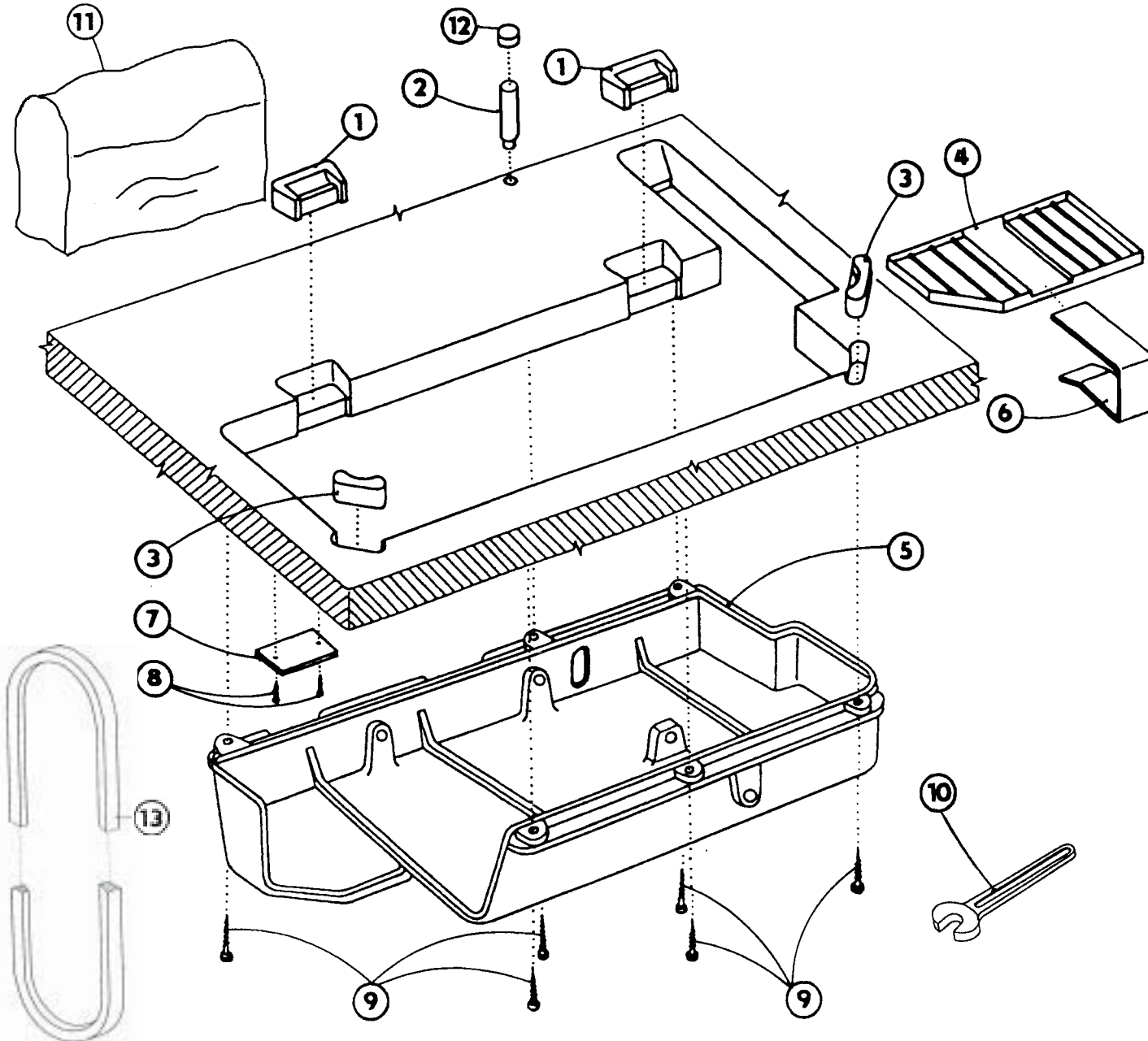
From the library of: Diamond Needle Corp



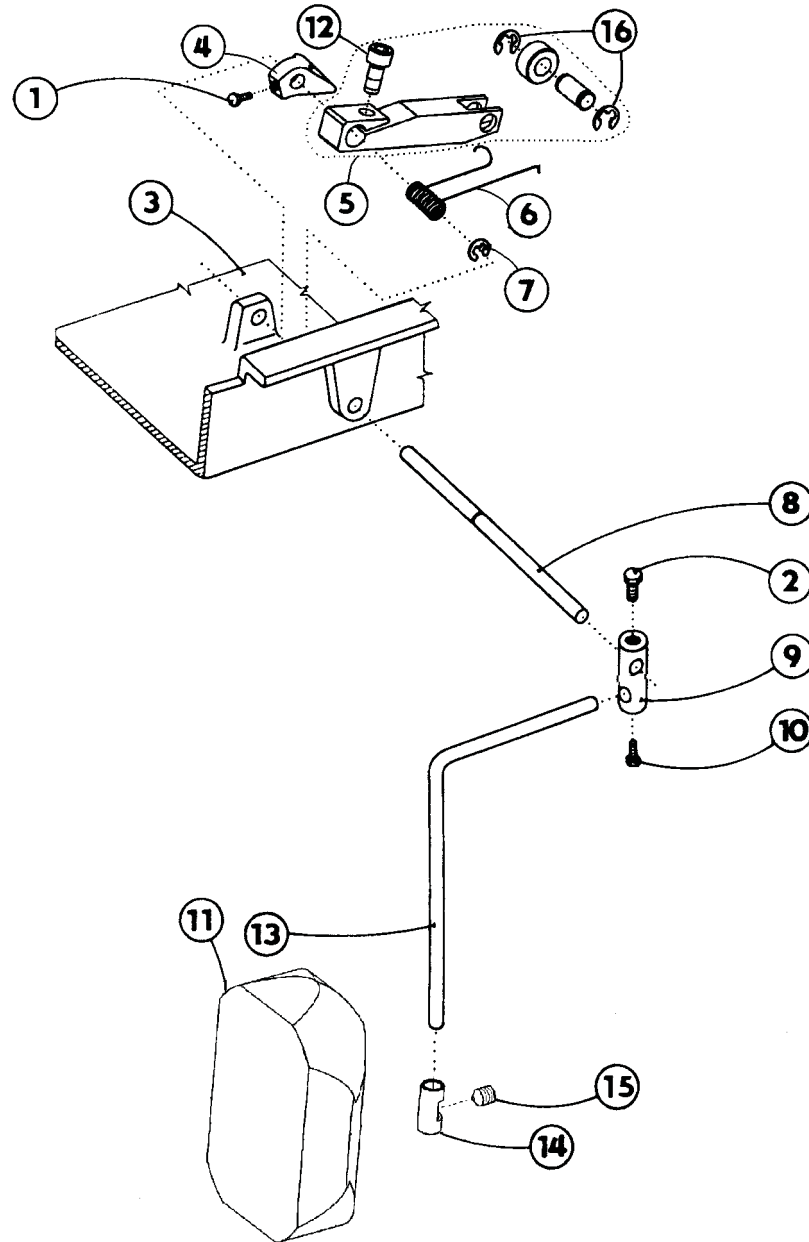
S980 099038/1

- |    |      |        |
|----|------|--------|
| 1  | S273 | 940127 |
| 2  | S615 | 932046 |
| 3  | S273 | 940141 |
| 4  | S321 | 953251 |
| 5  | S080 | 725050 |
| 6  | S080 | 826387 |
| 7  | S080 | 941091 |
| 8  | S314 | 016020 |
| 9  | S080 | 225031 |
| 10 | S413 | 100130 |
| 11 | 0APP | 000301 |
| 12 | S321 | 026000 |
| 13 | S272 | 221000 |

From the library of: Diamond Needle Corp



tab. 21



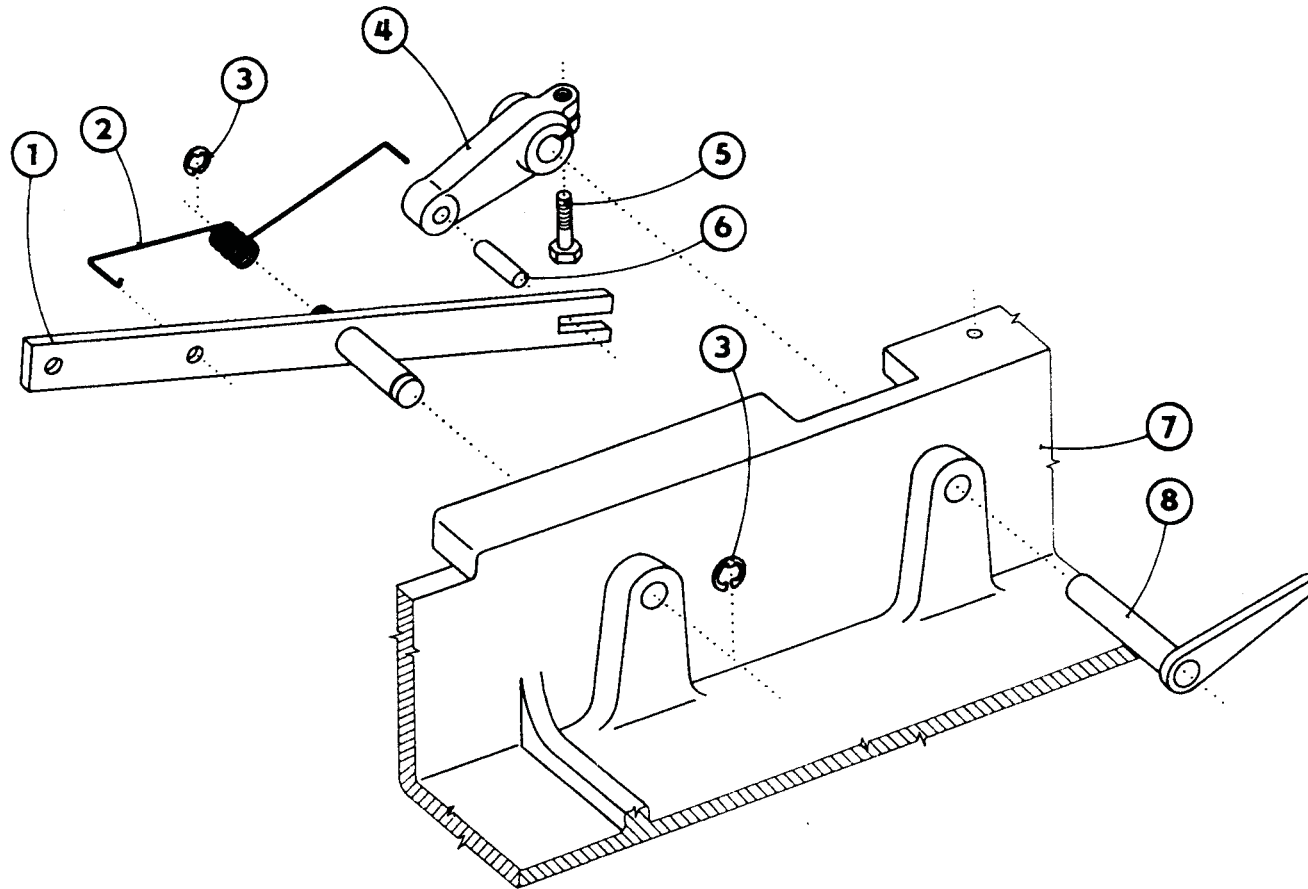
525 - 101

S980 099038 /2

From the library of: **Diamond Needle Corp**

1	S080	141141
2	S080	141121
3	S080	725050
4	S080	625022
5	S980	027603
6	S080	264168
7	S311	732070
8	S080	314065
9	S080	318069
10	S080	141112
11	0396	130013
12	S080	120295
13	S080	383022
14	S080	416146
15	9205	102788
16	S311	732060

tab. 22



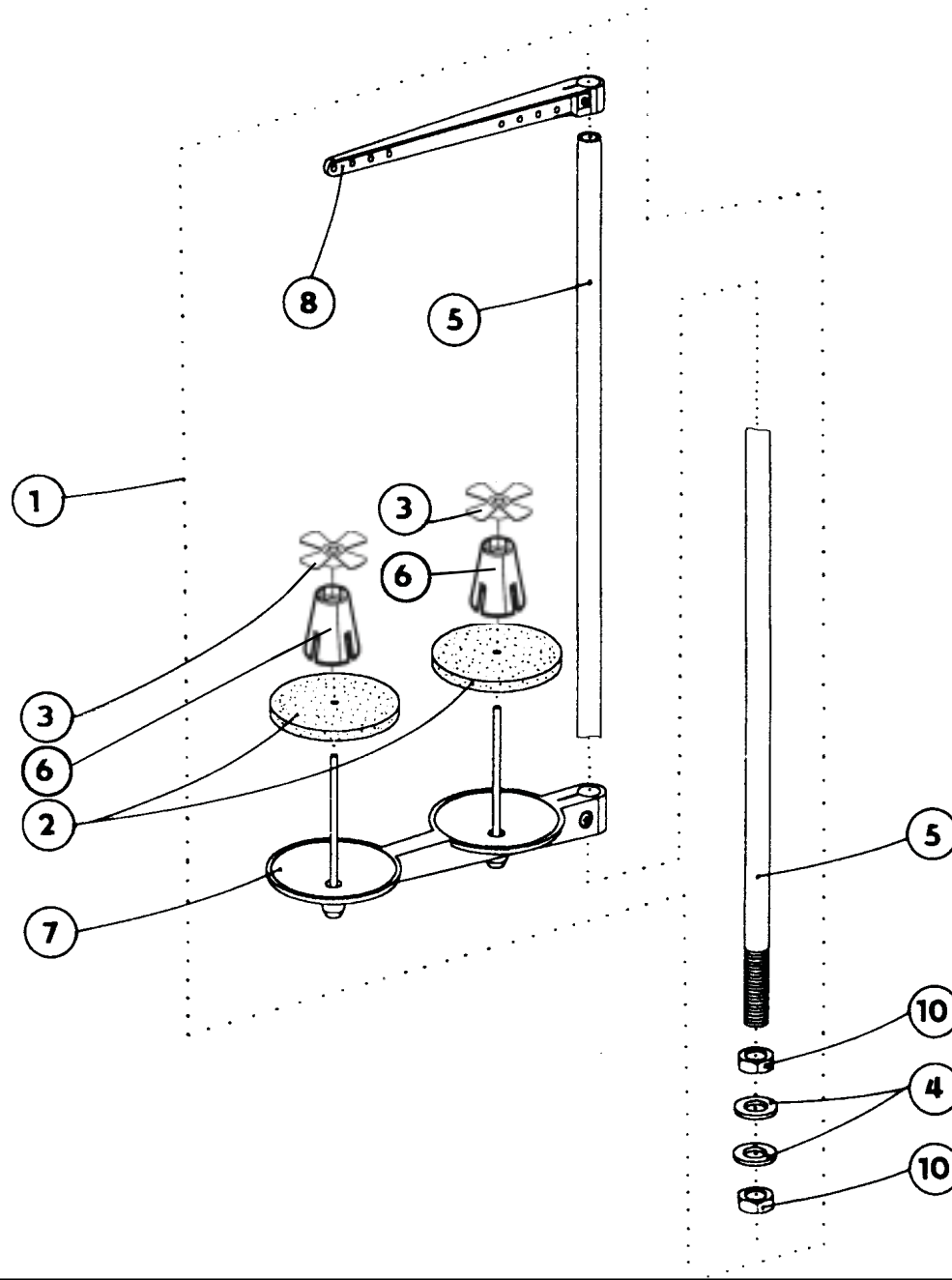
525 - 101

S980 099038 /3

1	S980	049109
2	S080	264290
3	S311	732070
4	S080	613480
5	S080	141109
6	S311	515041
7	S080	725050
8	S980	044142

From the library of: Diamond Needle Corp

tab. 23



525 - 101

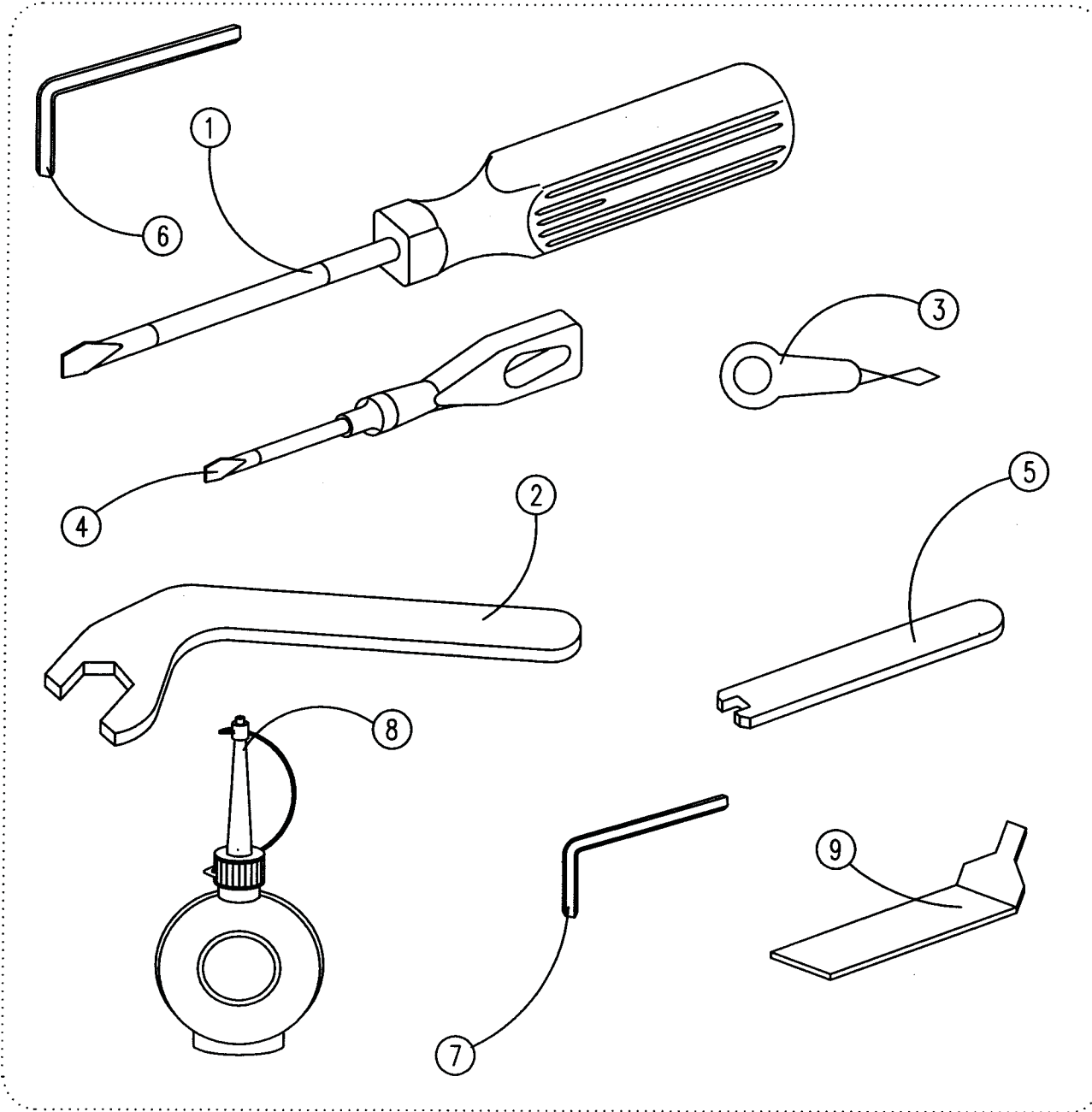
S980 099038 /4

1	S981	036163	
2	0077	110220	4 x
3	0077	110230	4 x
4	9330	000177	
5	0791	001081	
6	0791	580100	4 x
7	0791	001091	2 x
8	0791	001096	2 x
10	0995	340617	

From the library of: Diamond Needle Corp

tab. 24

10



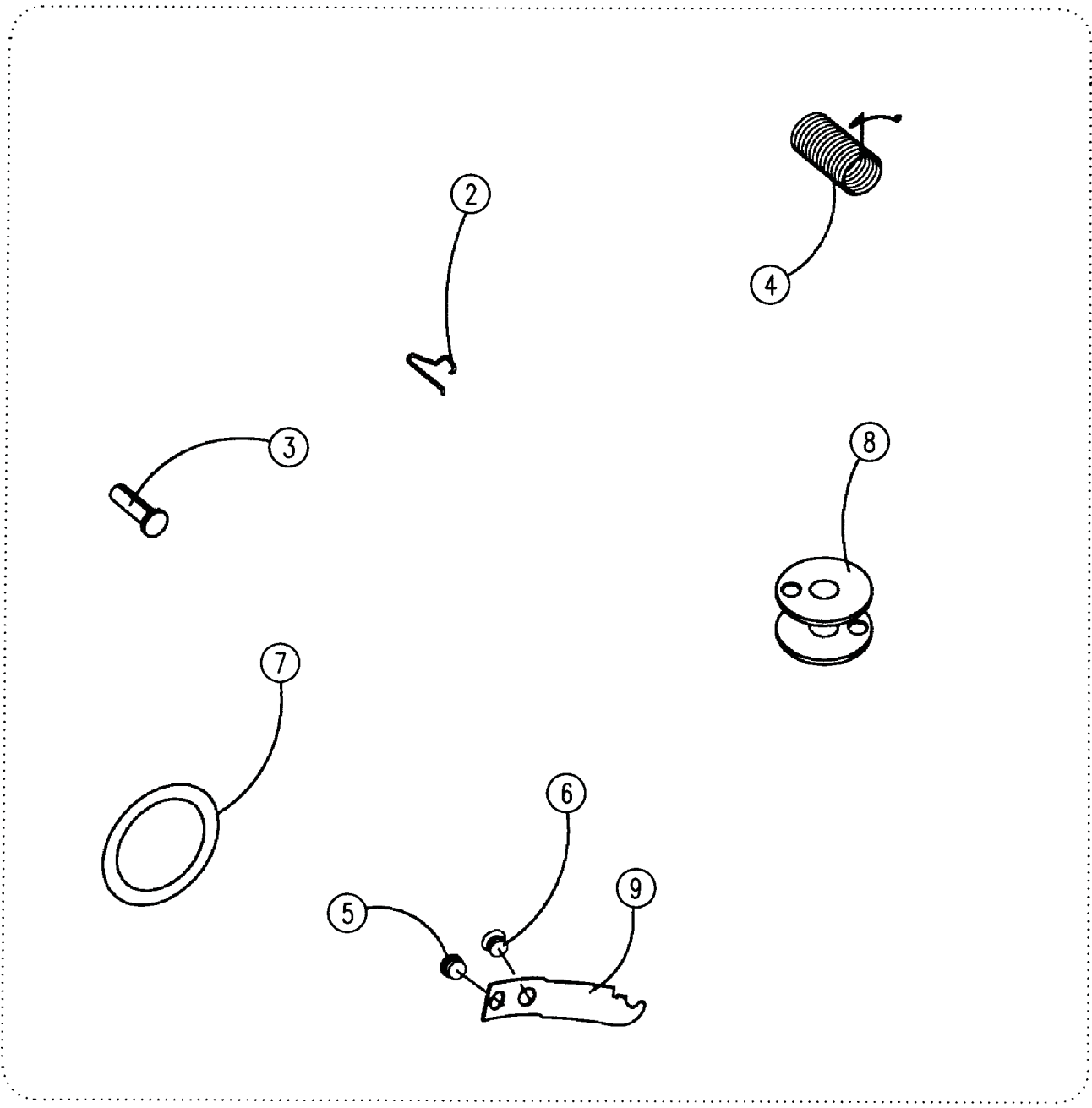
525 - 101

S980 099038 /5

1	S413	731023
2	S080	818273
3	S548	001000
4	S413	310002
5	S080	813481
6	S413	000500
7	S413	000400
8	S562	002000
9	S080	829796
10	<b>S980</b>	<b>092220</b>

From the library of: Diamond Needle Corp.

tab. 25

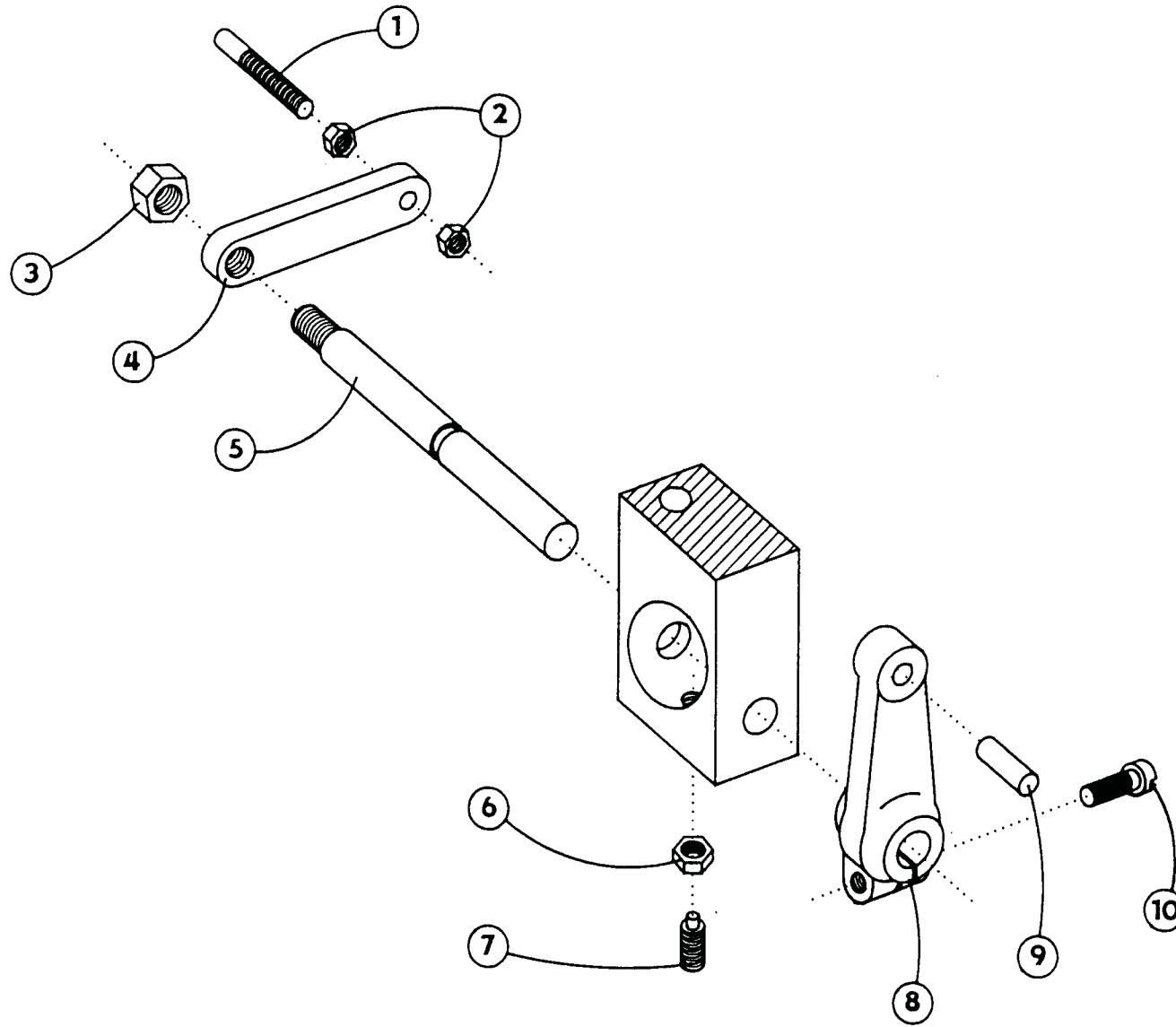


525 - 101

1	S980	092229	
2	S080	265037	4 x
3	S321	953200	2 x
4	S315	264294	4 x
5	S080	683063	4 x
6	S080	683053	4 x
7	S273	025410	4 x
8	S080	685051	10 x
9	S080	690029	4 x

From the library of: Diamond Needles

tab. 26



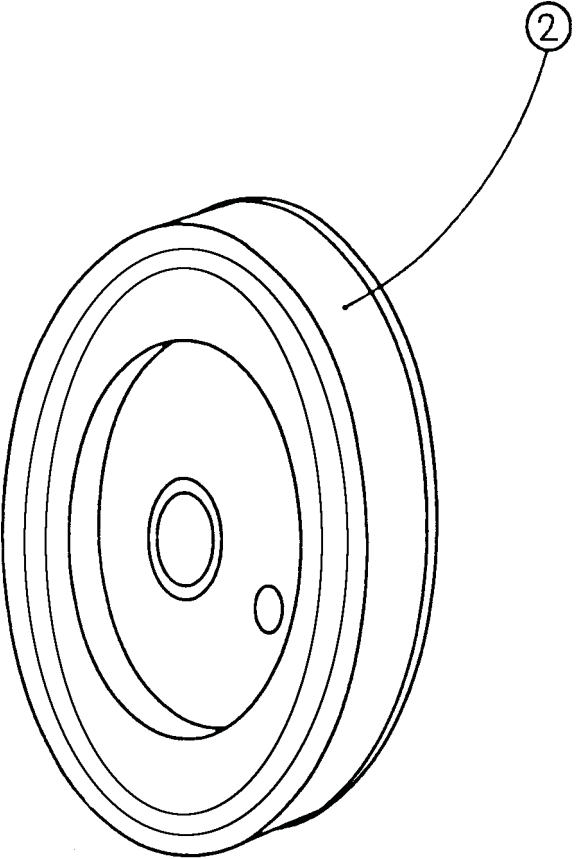
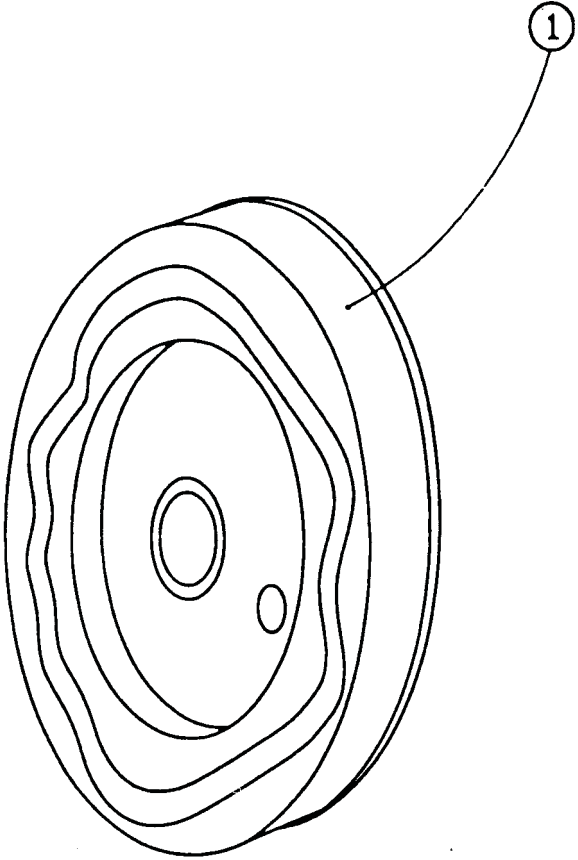
525 - 101

S791 995068

1	S080	316038
2	S080	161143
3	S080	161159
4	S080	632019
5	S080	342096
6	S080	161140
7	S080	111097
8	S080	613480
9	S311	515035
10	S080	120230

From the library of: Diamond Needle Corp

tab. 27



525 - 101

1 S791 642049

WW

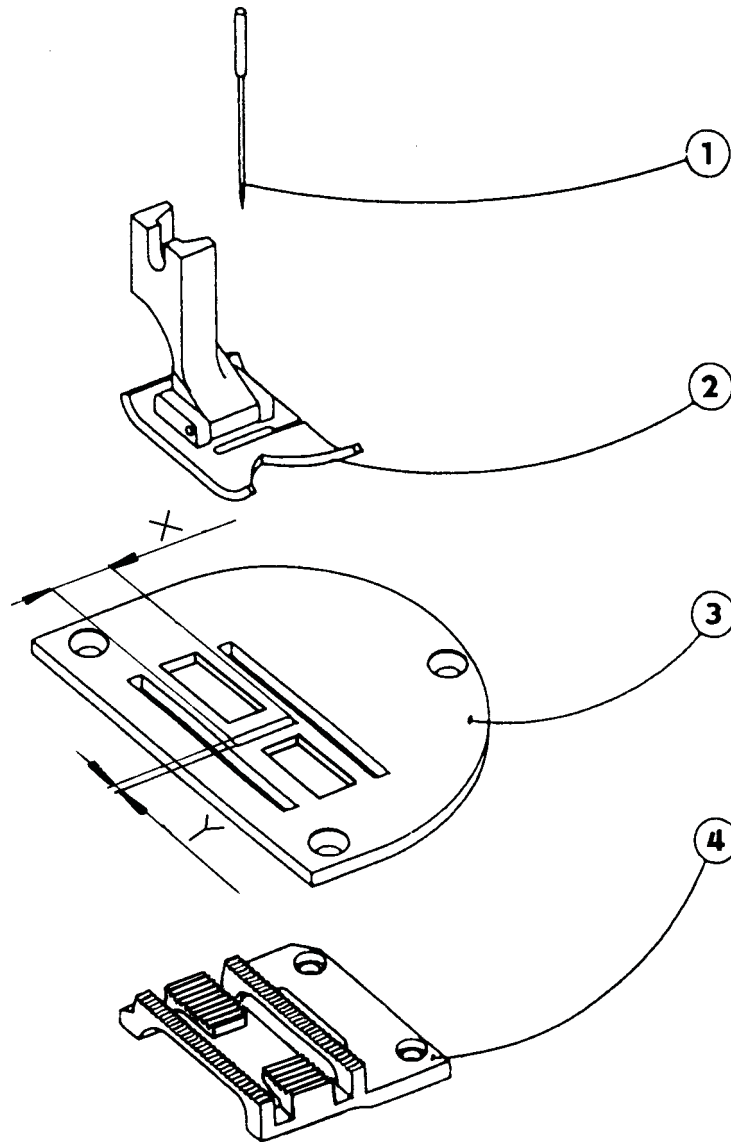
2 S791 642037

.....

From the library of: Diamond Needle Corp



tab. 28



**525 - 101**

**525 E 033**

**S791 124033 35**

- 1 134 No. 110 - 11 x
  - 2 S980 031603
  - 3 S080 811637
  - 4 S080 651336
- X = 11,8 mm Y = 1,5 mm

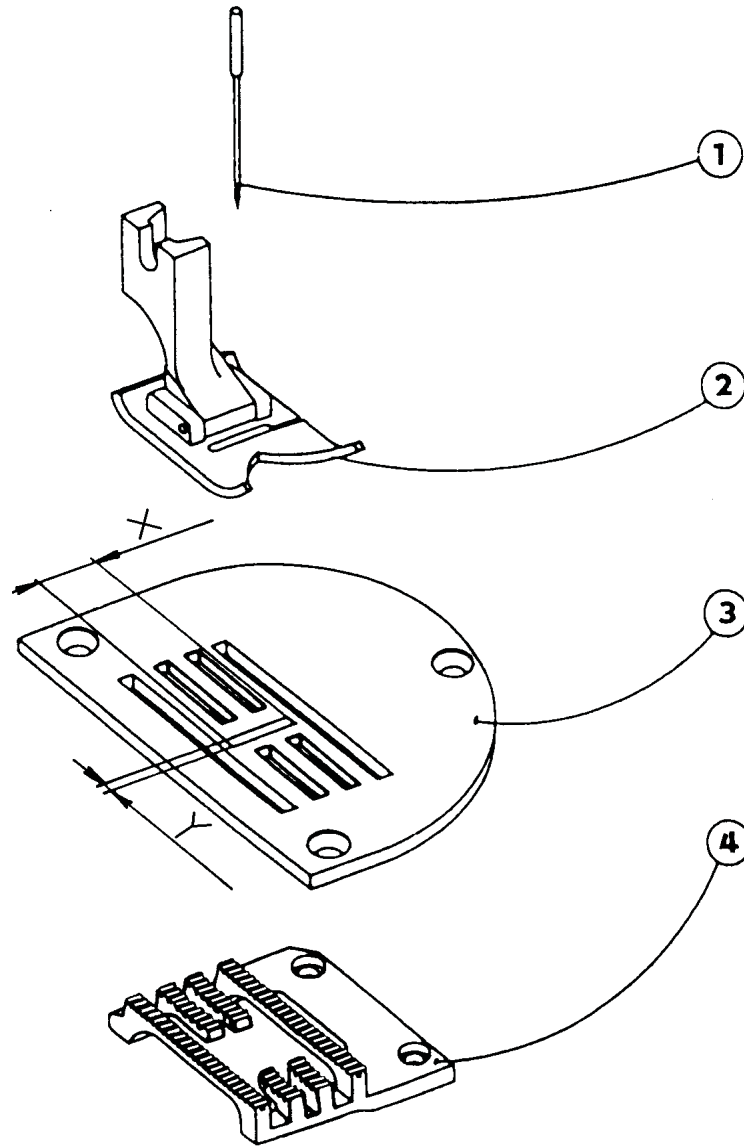
**525 E 034**

**S791 124034 35**

- 1 134 No. 110 - 11 x
  - 2 S980 031603
  - 3 S080 811557
  - 4 S080 651336
- X = 11,8 mm Y = 1,8 mm

From the library of: [DiamondNeedle.com](http://DiamondNeedle.com)

tab. 29



**525 - 101**

**525 E 032**

**S791 124032 35**

- 1 134 No. 110 - 11 x
  - 2 S980 031603
  - 3 S080 811641
  - 4 S080 651504
- X = 11,6 mm Y = 1,5 mm

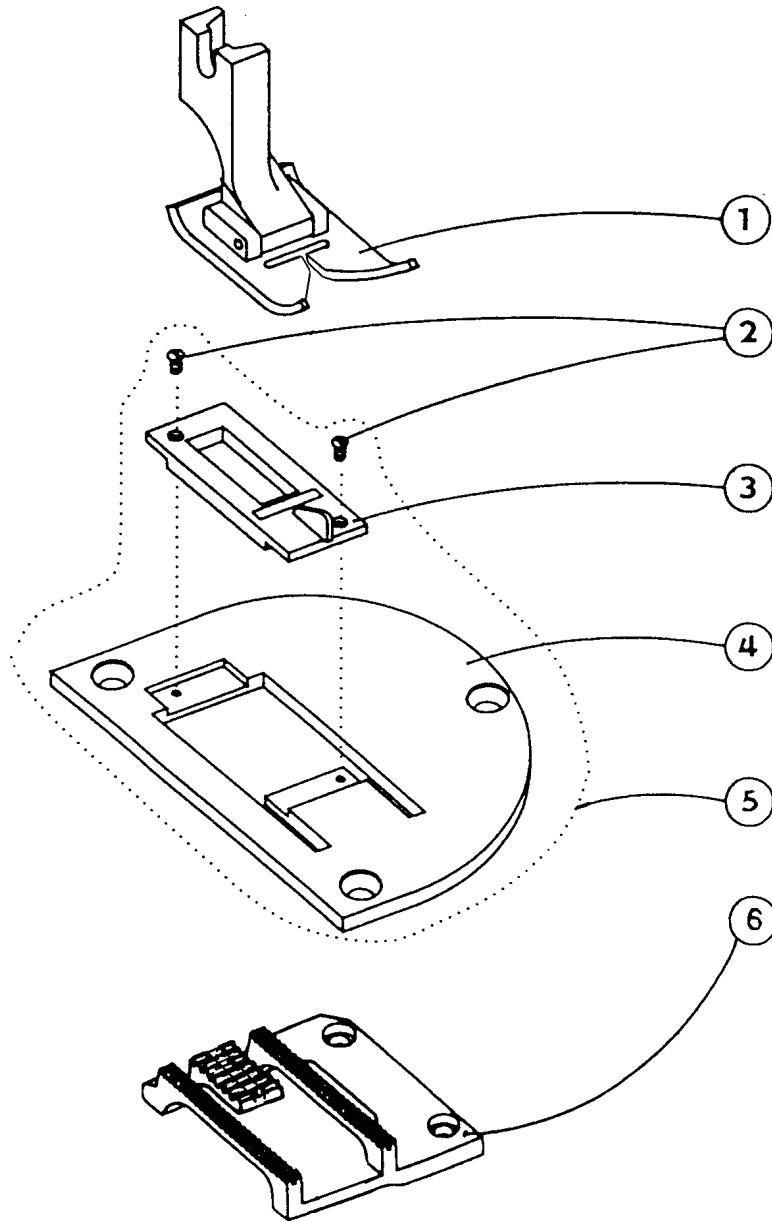
**525 E 075**

**S791 224075 35**

- 1 134 No. 110 - 11 x
  - 2 S980 031603
  - 3 S080 811699
  - 4 S080 651472
- X = 11,6 mm Y = 1,5 mm

From the library of: [www.needle.com](http://www.needle.com)

tab. 30



525 - 101

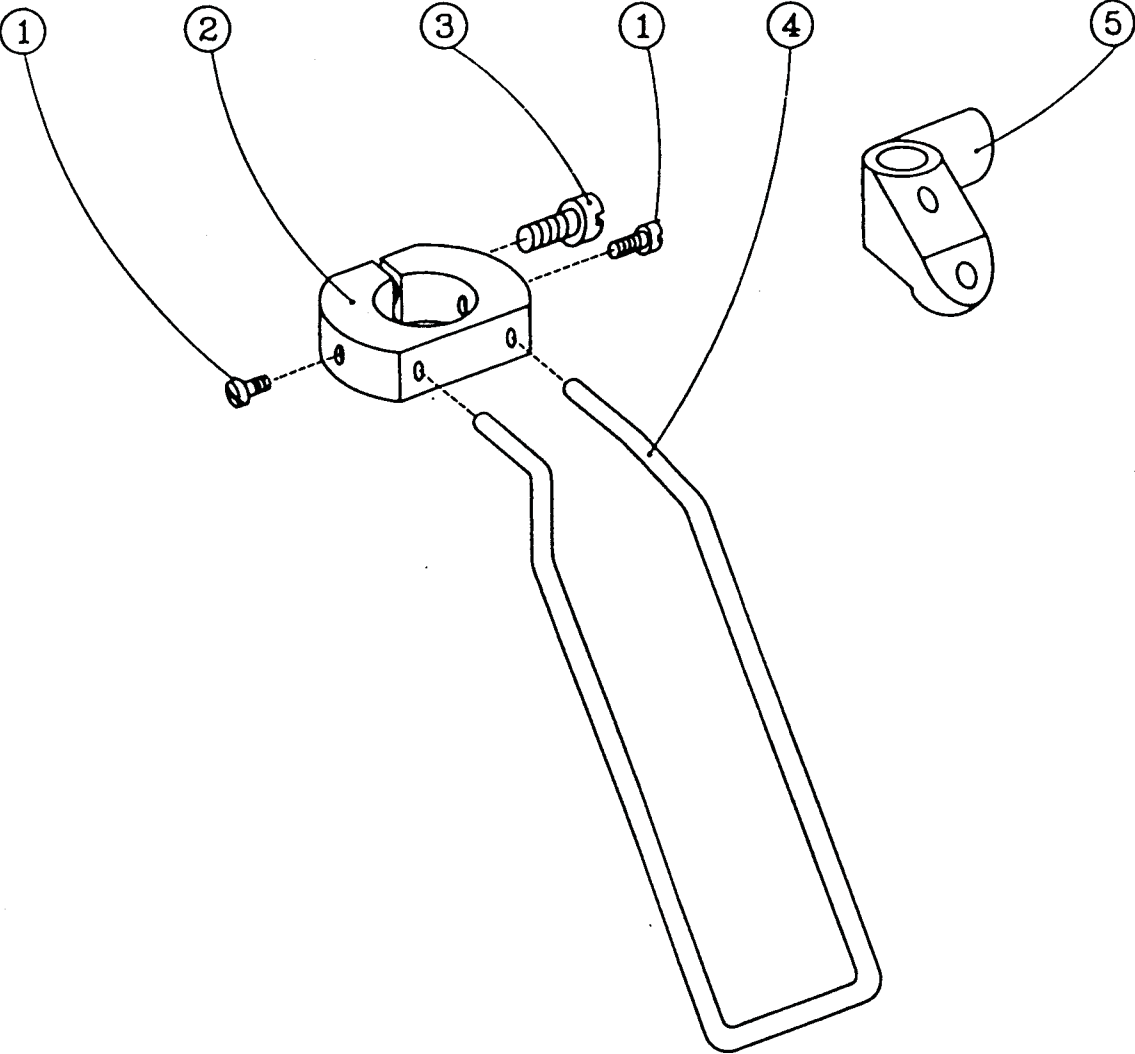
527 N 023

S791400023

1	S980	031604
2	S080	124061
3	S980	049443
4	S080	811633
5	S980	022282
6	S080	651428

From the library of: Diamond Needle Corp

tab. 31



525 - 101

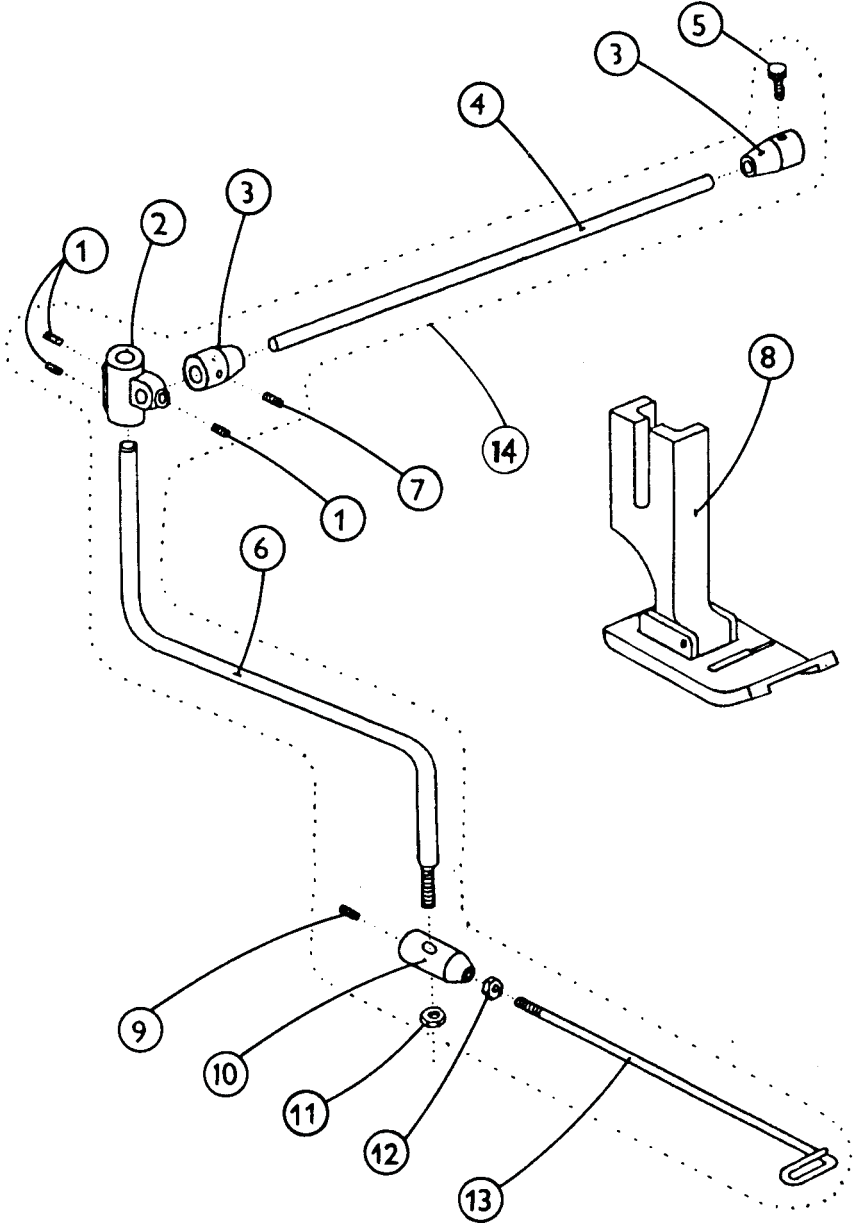
527 N 001

S791 149001

- 1 S080 120037
- 2 S080 646136
- 3 S080 120225
- 4 S080 271441
- 5 S080 627037

From the library of: Diamond Needle Corp

tab. 32



525 - 101

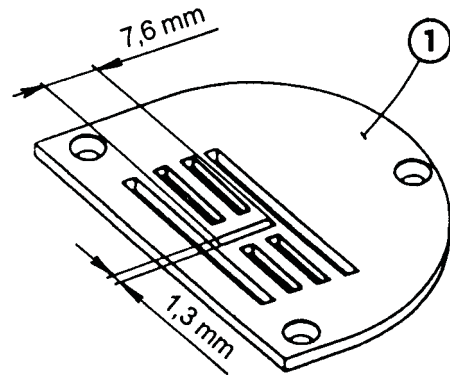
525 N 002

S791 235002

1	S081	104 002
2	S080	626 056
3	S080	426 011
4	S080	341 127
5	S080	133 009
6	S080	382 049
7	S080	111 268
8	S980	031 541
9	S080	112 013
10	S080	436 109
11	S080	161 163
12	S080	161 137
13	S080	271 185
14	S980	036 063

From the library of: Diamond Needle Corp

tab. 33



525 - 101

525 E 074

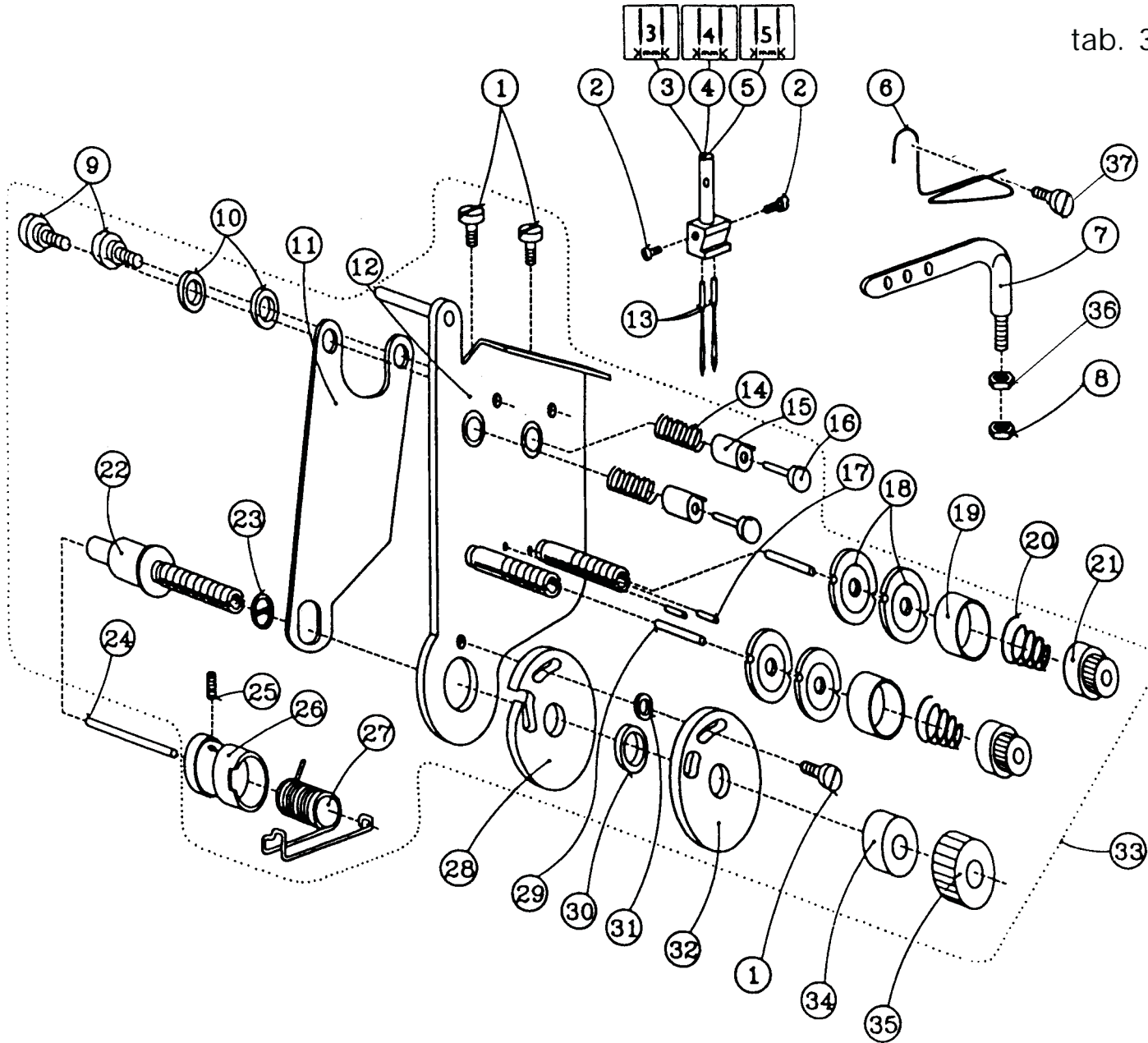
S791 224 074

1 S080 811768

From the library of: Diamond Needle Corp

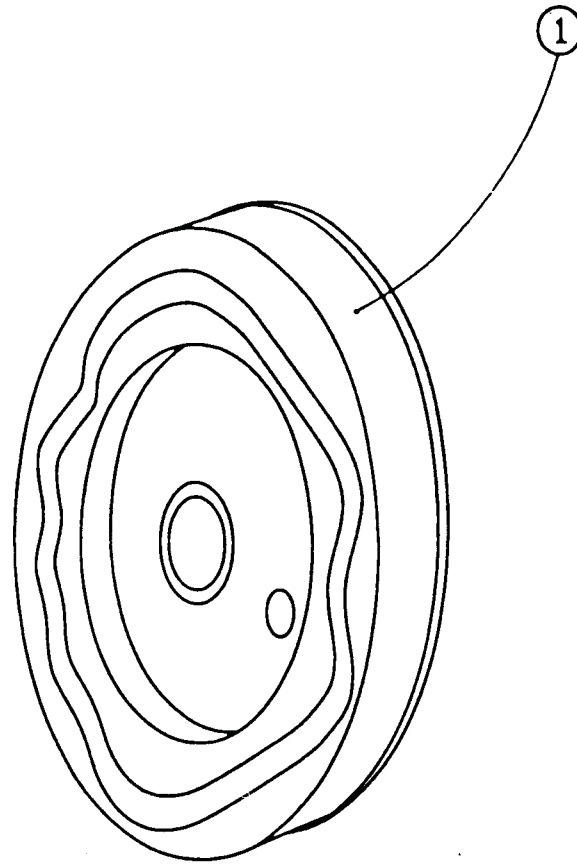
tab. 34

525 - 101  
525 E 002  
S791 630 002






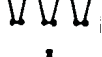

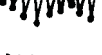
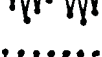









1	S080	120245	
2	S080	124051	6 x
3	S080	394157	
4	S080	394158	
5	S080	394159	
6	S080	271409	
7	S080	313204	
8	S080	161146	
9	S080	135023	
10	S080	190520	
11	S080	825733	
12	S980	049805	
13	S548	000130	10 x
14	S080	261022	2 x
15	S980	027414	2 x
16	S080	320047	2 x
17	S311	515011	2 x
18	S080	828046	4 x
19	S080	827048	2 x
20	S315	262024	2 x
21	S080	173017	2 x
22	S080	118003	
23	S080	195004	
24	S080	310436	
25	S080	112012	
26	S080	414023	
27	S315	264162	
28	S080	828048	
29	S311	510 008	2 x
30	S080	442034	
31	S080	418039	
32	S080	828047	
33	S980	025204	
34	S080	421129	
35	S080	171023	
36	S080	161138	
37	S080	132163	

tab. 35

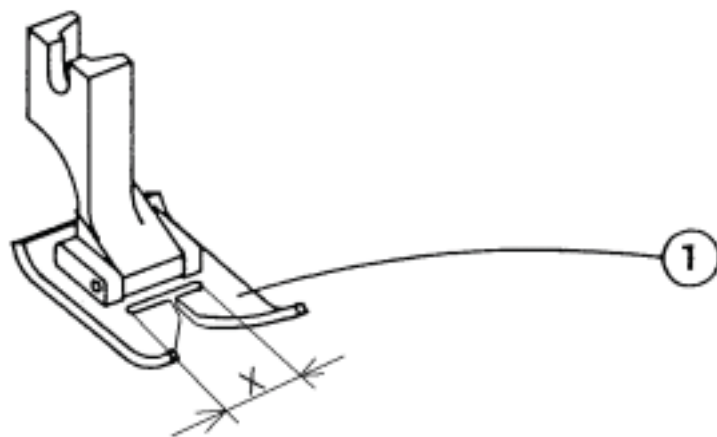


525 - 101

- 1 S791 642038 
- 1 S791 642039 
- 1 S791 642040 
- 1 S791 642041 
- 1 S791 642042 
- 1 S791 642043 
- 1 S791 642044 
- 1 S791 642045 
- 1 S791 642046 
- 1 S791 642047 
- 1 S791 642048 
- 1 S791 642050 
- 1 S791 642051 
- 1 S791 642052 
- 1 S791 642053 
- 1 S791 642055 



tab. 36



**525 - 101**

**525 E 016**  
**S791 151016**

1 S980 031586

X = 6 mm

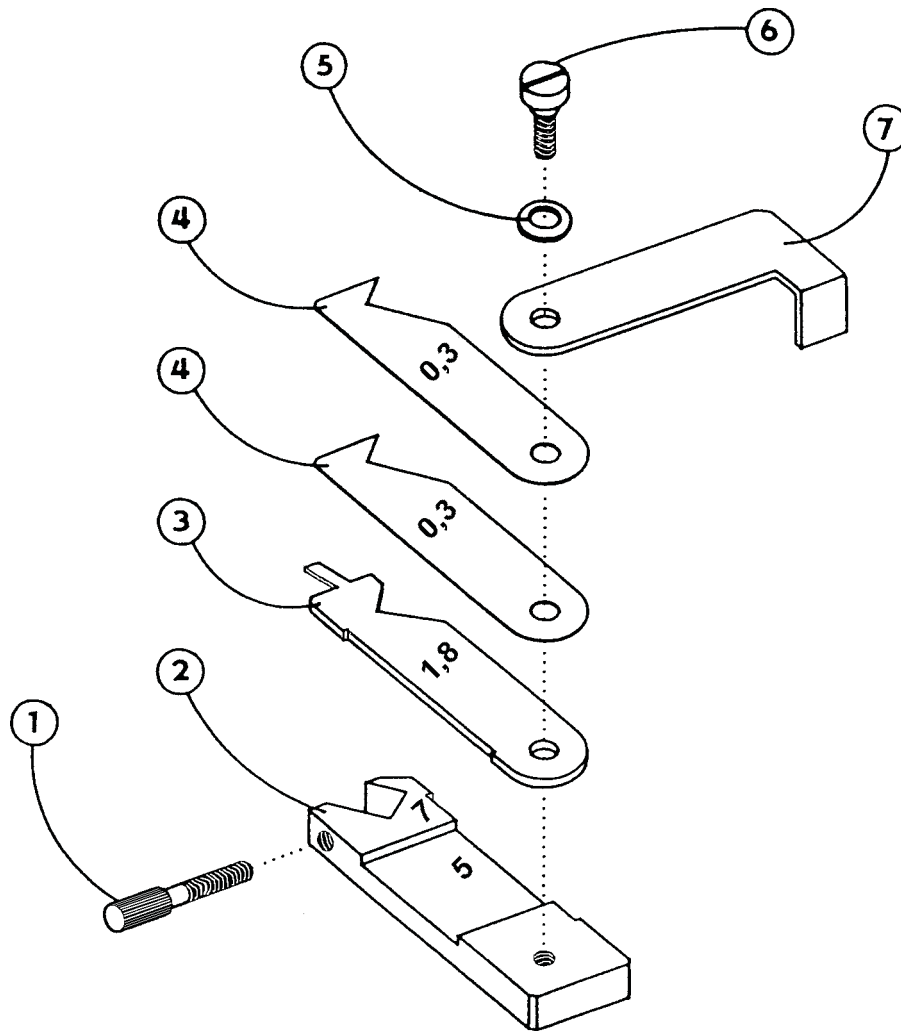
**525 E 017**  
**S791 151017**

1 S980 031652

X = 10 mm

From the library of: Diamond Needle Corp

tab. 37



525 - 101














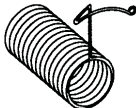
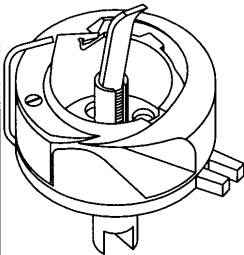
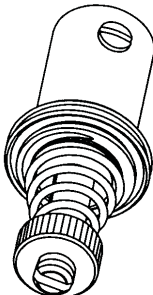



Z 001

S791947001

1	S080	133112
2	S080	646148
3	S080	814365
4	S080	814364
5	S080	192061
6	S080	131404
7	S080	831412

From the library of: Diamond Needle Corp

tab. 38

<p>3x</p>  <p>S080 120239</p>	<p>3x</p>  <p>S080 141088</p>	<p>5x</p>  <p>S080 683063</p>	<p>5x</p>  <p>S080 683053</p>	<p>3x</p>  <p>S080 135029</p>	<p>3x</p>  <p>S080 136082</p>
<p>5x</p>  <p>S080 123117</p>	<p>3x</p>  <p>S080 265037</p>	<p>1x</p>  <p>S080 627170</p>	<p>5x</p>  <p>S080 112013</p>	<p>3x</p>  <p>S080 124050</p>	<p>3x</p>  <p>S080 124051</p>
<p>3x</p>  <p>S080 690029</p>	<p>5x</p>  <p>S315 264294</p>	<p>1x</p>  <p>S980 008250</p>	<p>1x</p>  <p>S980 025245</p>	<p>3x</p>  <p>S273 025410</p>	
<p>3x</p>  <p>S080 122029</p>	<p>1x</p>  <p>S080 264281</p>				

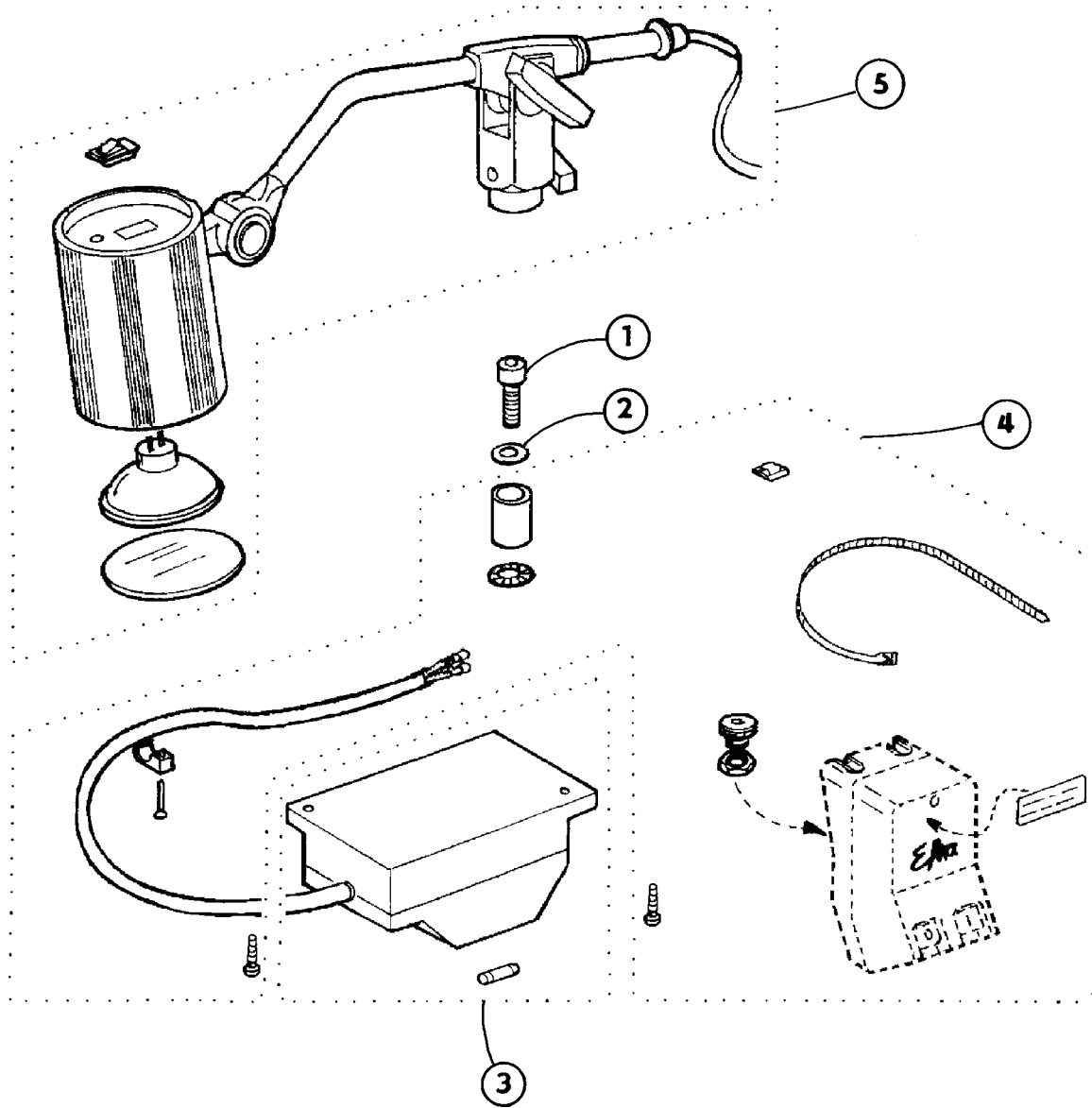
525 - 101

524 Z 121

S741 61012140

From the library of: Diamond Needle Corp

tab. 39



525 - 101

Z012

S794 222012

1	S080	120692
2	S080	190346
3	0798	500088
4	0907	487519
5	9822	510001

From the library of: Diamond Needle Corp