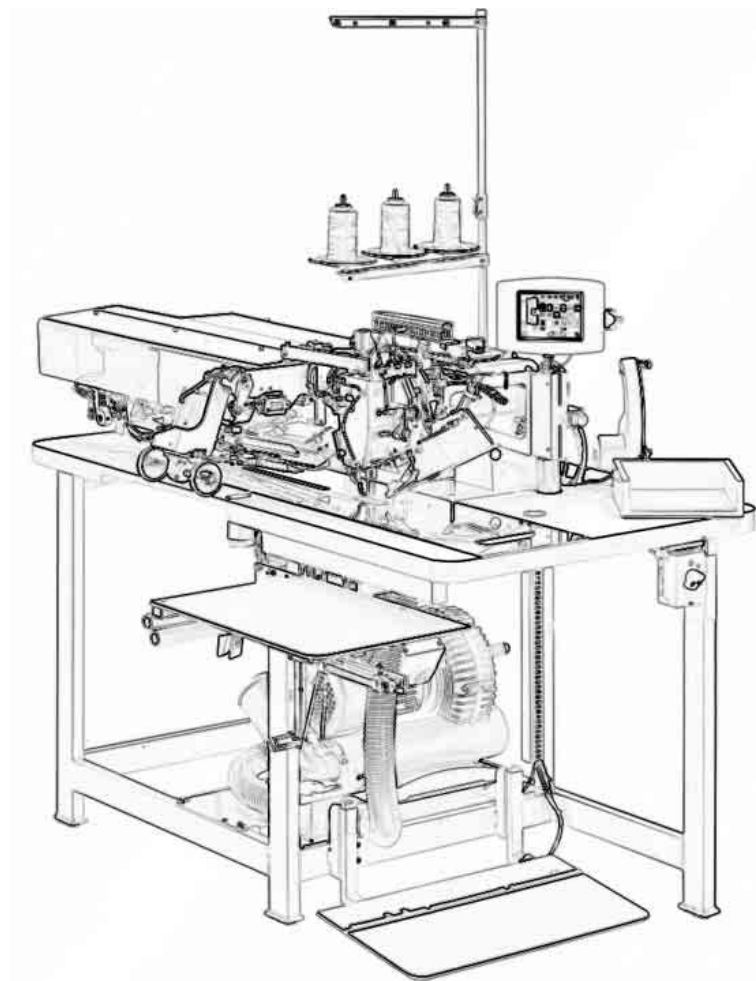




100/68

**Universal-Taschenpaspel-Nähanlage
Universal-flap-pocket-machine**



From the library of: Diamond Needle Corp

**INTERIMS TEILELISTE
INTERIMS PART LIST**

DocNr.:DOC 000006 / Version 2

25.07.2007

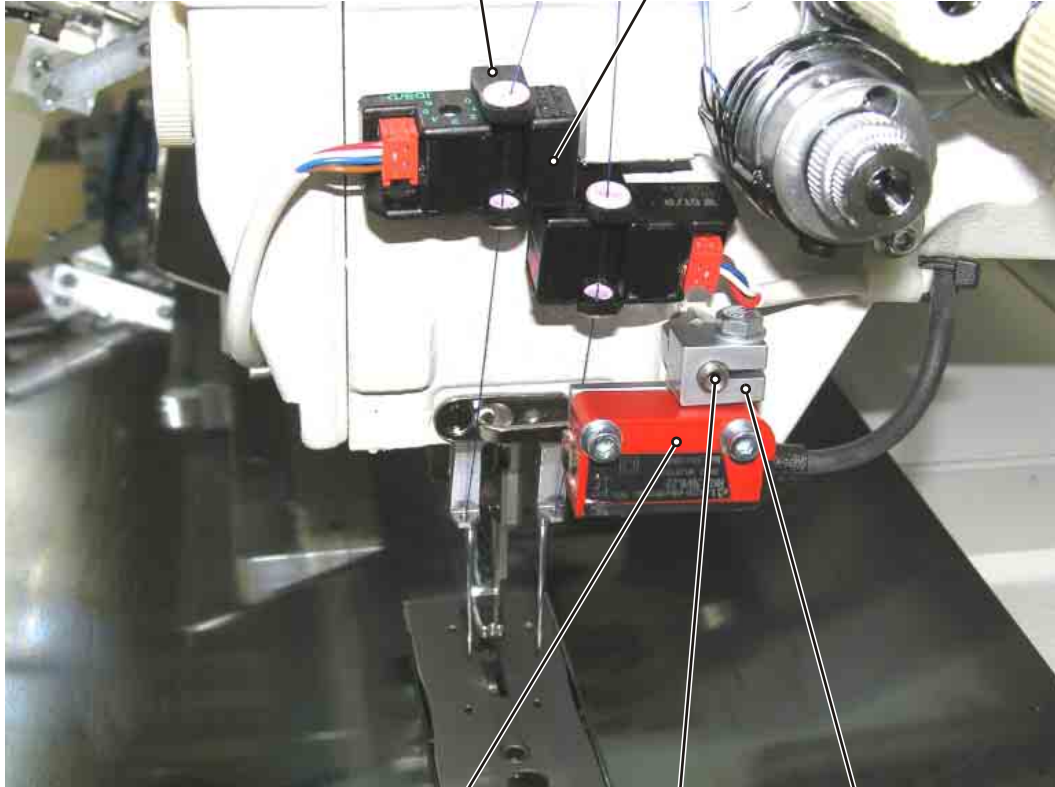
ERSATZTEILE BESTELLUNG/ SPARE PART ORDER

Frohnradstr. 10 * D-63768 Hösbach * Tel.-Nr. Service: (0 60 21) 50 19 40 * Fax: (0 60 21) 50 19 10

E-mail: Vertrieb@beisler-gmbh.de

Befestigung
mounting
012212.00

Fadenwächter
thread monitor
3402126.00



Reflexlichtschranke
photocell
2100743.10

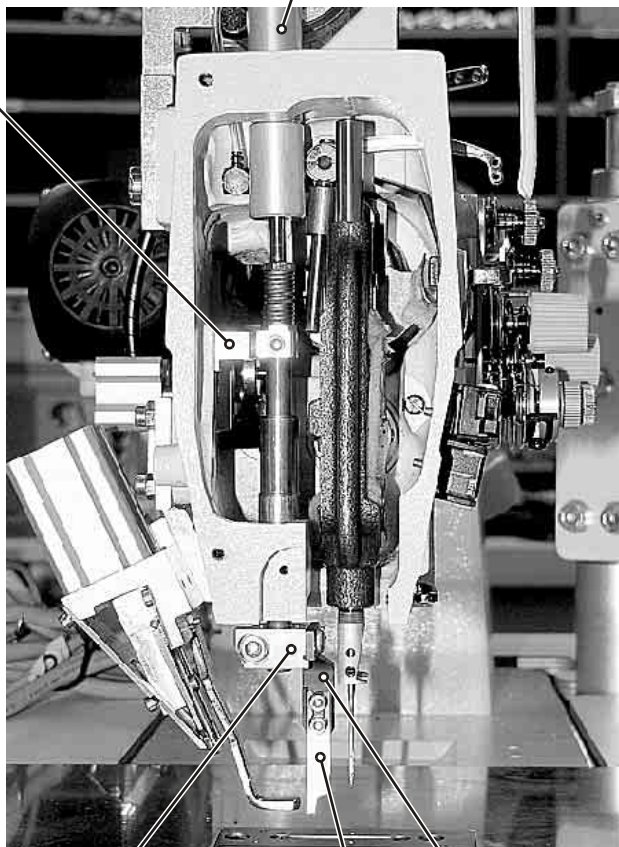
Stehbolzen
stay bolt
012282.00

Halter
holder
012227.00

Achtung: Gültig ab 01.06.2007
ATTENTION: Valid from 01.06.2007

Führung
guide
008404.01

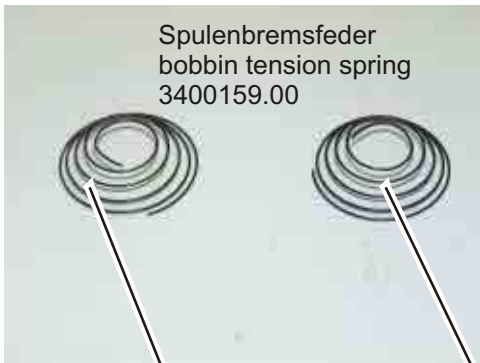
Zylinder mit Feder
cylinder with spring
1000516.00



Messerhalter
knife holder
008416.00

Mittelmesser
knife
008688.00

Messerhalter
knife holder
012134.00



Spulenbremsfeder
bobbin tension spring
3400159.00

Spulenkapsel
bobbin case
008940.00

Spule
bobbin
008935.00



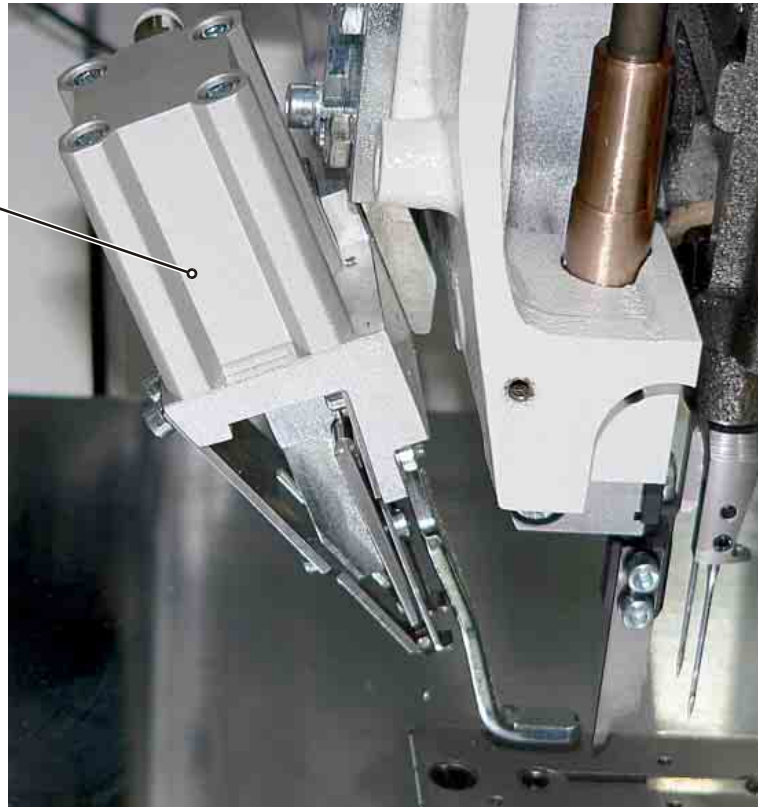
Tastkopf
bobbin thread sensor
2100754.30

Messer
knife
3400107.00

Schraube
screw
3400106.00

Schraube
screw
3400105.00

100223.00



Fadenfänger - thread catcher

**Messer
knife**

**Bewegl. Messer
movable knife**

**Federblech
flat spring**

**Messerschutz
knife guard**



NA8	3400608.15	3400608.16	3400608.17	3400610.10
NA10	3400610.07	3400610.08	3400610.09	3400610.10
NA12	3400610.07	3400610.08	3400610.09	3400610.10
NA14	3400614.07	3400614.08	3400614.09	3400610.10
NA16	3400614.07	3400614.08	3400614.09	3400614.10
NA18	3400620.07	3400620.08	3400620.09	3400620.10
NA20	3400620.07	3400620.08	3400620.09	3400620.10
NA22				
NA24	3400624.07	3400624.08	3400624.09	3400624.10
NA26	3400624.07	3400624.08	3400624.09	3400624.10
NA30	3400624.07	3400624.08	3400624.09	3400624.10

Zahnriemen
toothed belt
011889.00

Schiene
guide rail
1500546.00

Wagen
carriage
1500547.00

Wagen
carriage
1500551.00

Schiene
guide rail
1500550.00

Messerkloben
knife holder
011778.00



Schrittmotor
stepping motor
012191.00

Zylinder
cylinder
1000507.00

Reedschalter + Befestigung + Gleitlager
reed switch + mounting + bush bearing
012186.00 + 1000508.10 + 012106.00

Abluftdrossel
throttle valve
006927.00

Eckenmesser Standard
Eckenmesser R Eckenmesser L



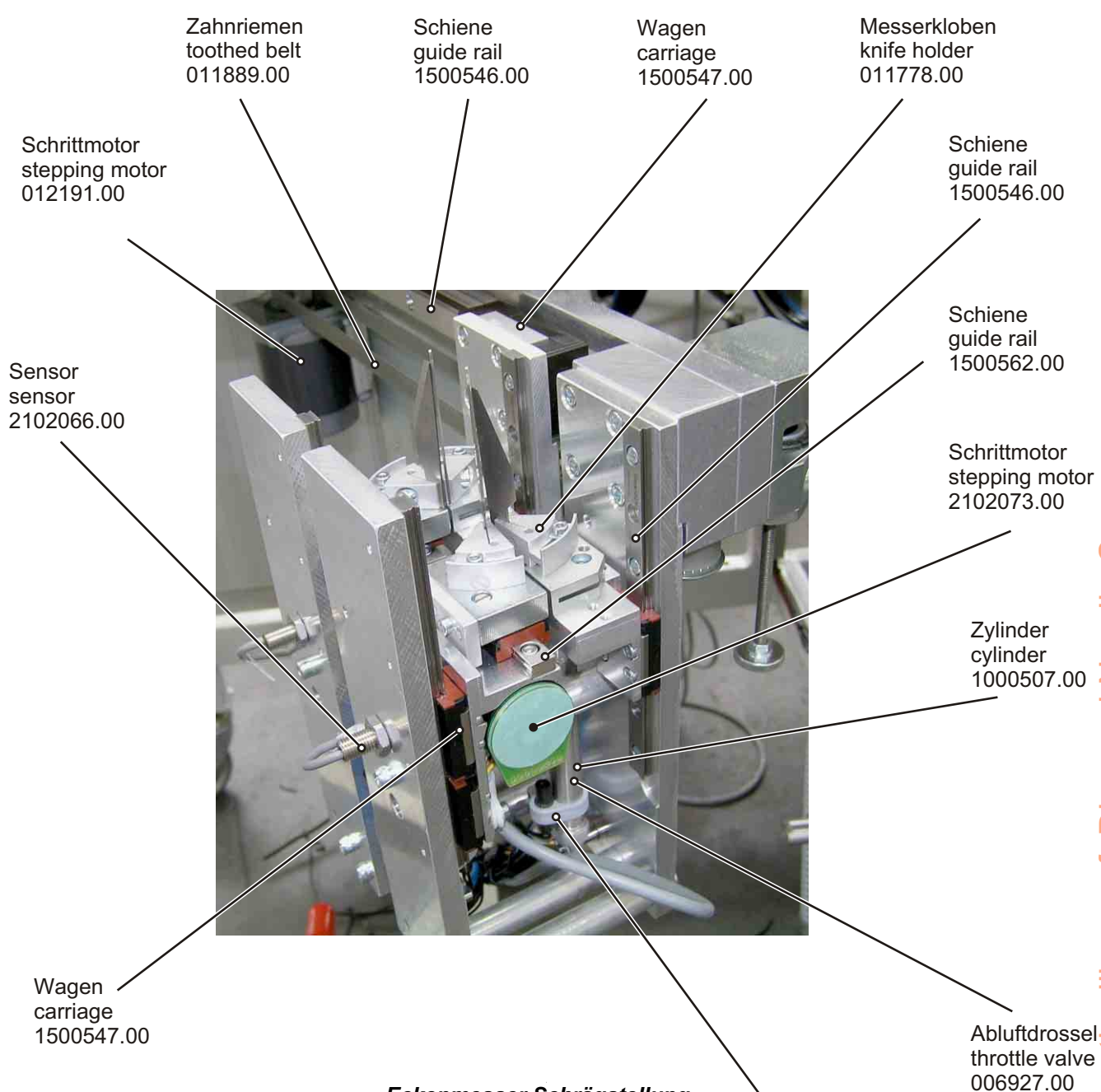
NA8	3402229.00	3402230.00
NA10	3402219.00	3402220.00
NA12	3402221.00	3402222.00
NA14	3402223.00	3402224.00
NA16	3402223.00	3402224.00
NA18	3402223.00	3402224.00
NA20	3402223.00	3402224.00
NA22		
NA24	3402225.00	3402226.00
NA26	3402225.00	3402226.00
NA30	3402227.00	3402228.00

Vorstecher - Stift
punch
011779.00

Wagen
carriage
1500551.00



From the library of: Diamond Needle Corp



Eckenmesser Schrägstellung
Eckenmesser R Eckenmesser L



Reedschalter + Befestigung + Gleitlager
 reed switch + mounting + bush bearing
 012186.00 + 1000508.10 + 012106.00

NA8	3402207.00	3402208.00
NA10	3402207.00	3402208.00
NA12	3402209.00	3402210.00
NA14	3402211.00	3402212.00
NA16	3402213.00	3402214.00
NA18	3402213.00	3402214.00
NA20	3402215.00	3402216.00
NA22		
NA24	3402217.00	3402218.00
NA26	3402217.00	3402218.00
NA30	3402217.00	3402218.00

From the library of: Diamond Needle Corp

Platine
circuit board
2102074.00



Platine
circuit board
2102075.00

Einspeisung
start plate
1100500.01

Endplatte
finish plate
1100500.02

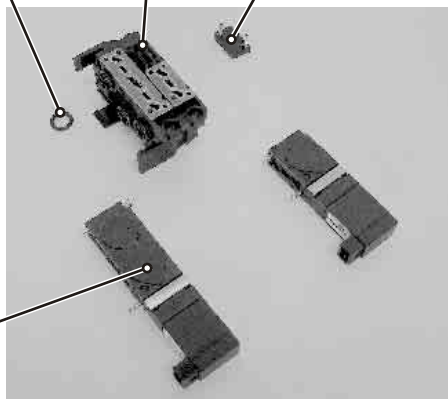
Platine
circuit board
2102077.00

1100500.99

1100500.11

1100500.07

1100500.05



Rückschlagventil
return valve
1400337.00

Abluftdrossel
throttle valve
006927.00

Wegbegrenzung kompl.
Limiter complete
3402242.00

Lagerplatte rechts
guide plate right
011859.00



Lagerplatte links
guide plate links
011860.00

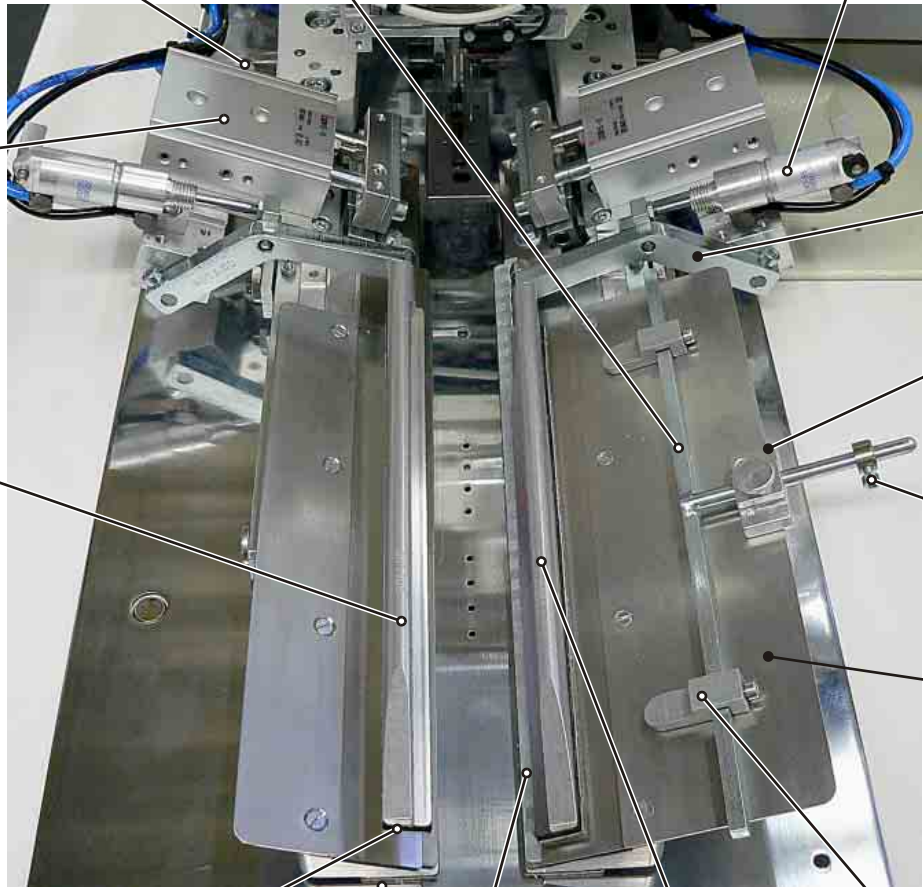
Schiene
guide rail
1500542.00

Wagen
carriage
1500543.00



Zylinder
cylinder
1000506.00

Zylinder
cylinder
1000515.00



Pattenanschlag
flap guide
001284.00

Zylinder
cylinder
1000001.00

Abluftdrossel
throttle valve
006927.00

Zylinder
cylinder
1000220.00

Hebel
lever
008653.00

Anschlagklemme
guide clamp
001283.00

Pattenklammer links
flap clamp links
009061.00

Stelling
set collar
1600463.00

Abweisblech
deflektor plate
007571.00

Pattenklammer rechts
flap clamp right
009060.00

Anschlag
guide
001701.00

Gummibelag
rubber coat
009059.00

Klammerngummi
clamp rubber
007487.00

Reflexfolie
reflecting foil
2500780.20

Pattenanschlag
flap guide
001284.01

Anschlag
guide
008824.00+008825.00



From the library of: Diamond Needle Corp

Platine für Ausroller
electronic circuit for roller
Elektronikplatine
electronic circuit
2102071.00



Elektronikplatine
electronic circuit
2102070.00
IO - Platine für
CAN - Schnittstelle
IO - electronic circuit
CAN - interface

Elektronikplatine
electronic circuit
2102071.00
Fadenwächter
thread monitor

Sicherung 4AT
fuse 4AT

Elektronikplatine
electronic circuit
2102072.00
Platine für Laser
electronic circuit
for laserpointer



Einspeisung
start plate
1100500.01

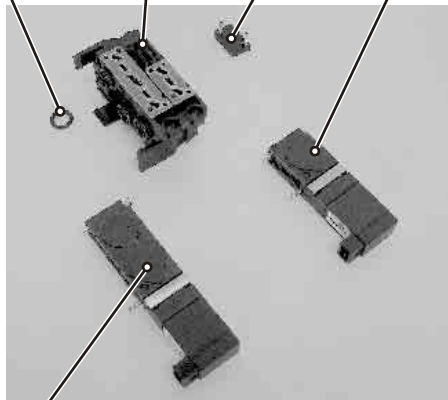
Endplatte
finish plate
1100500.02

1100500.99

1100500.11

1100500.07

1100500.03



Elektronik Platine
electronic circuit
2102058.00

1100500.05



DC Motor
dc motor
012144.00

Scheibe
washer
3402245.00

Sicherungsring
circlip
3402244.00

Exzenter
tappet
012130.00

From the library of: Diamond Needle Corp

Magnetschalter
magnetic switch
012187.00

Gehäuse
box
2100667.00



Mutter
nut
3402200.00

Laser
laser
2102067.00

Klemmstück
clamping piece
3402199.00

Klemmstück
clamping piece
3402198.00

From the library of: Diamond Needle Corp

Getriebemotor
gear motor
2400838.00

Zylinder + Abluftdrossel
cylinder + throttle valve
1000212.00 + 006927.00



Dämpfring
damp ring
011915.00

Achse
shaft
011917.00

Rad
wheel
011916.00

Ventil
valve
1100199.00

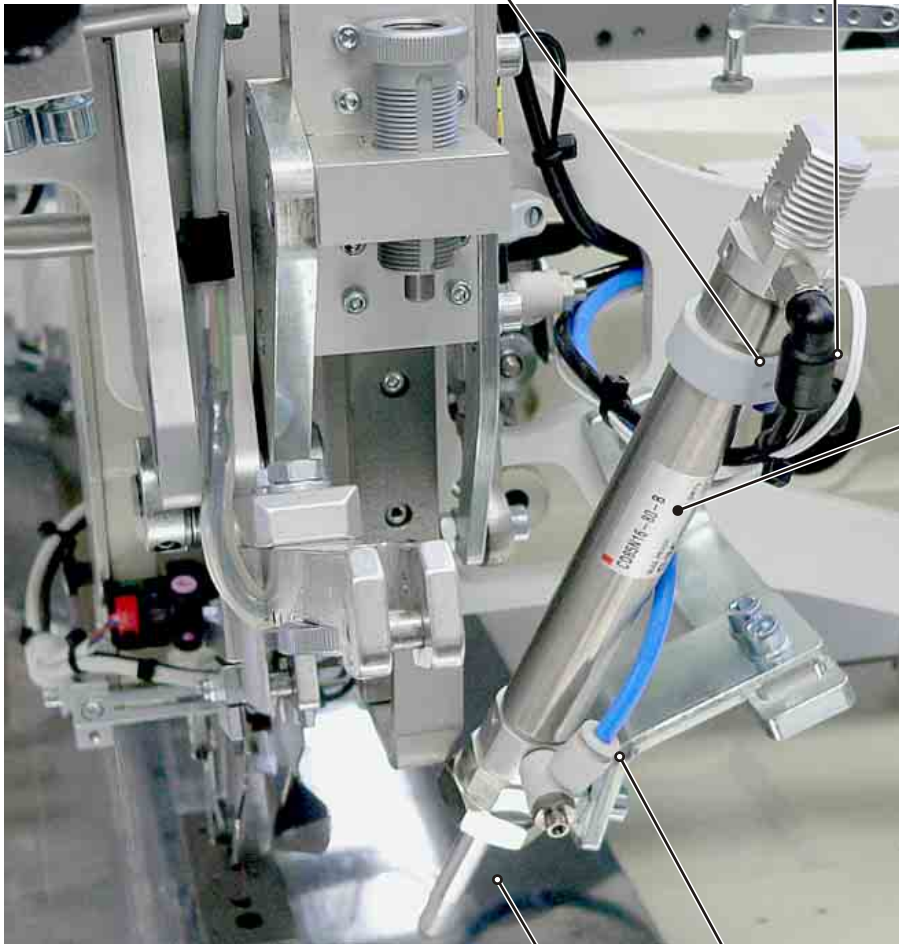


Sensor
sensor
2100753.10

Luftschlauch
air hose
1200240.12

Magnetschalter + Befestigung + Gleitlager
magnetic switch + mounting + bush bearing
012222.00 + 1000144.10 + 012106.00

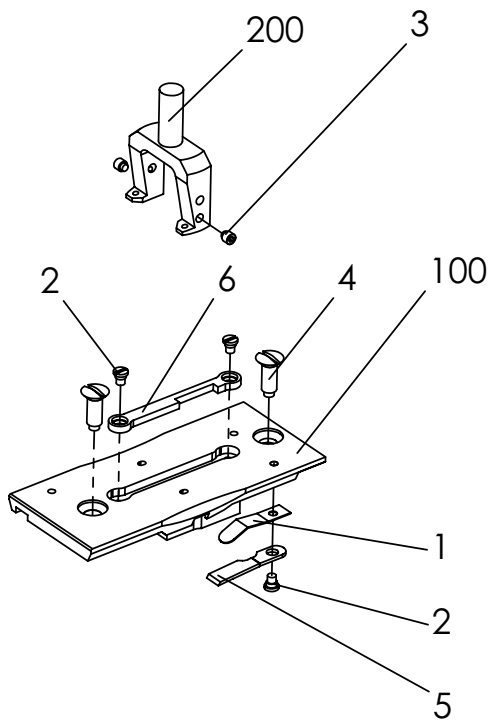
Winkelverschraubung
screw joint
1400345.00



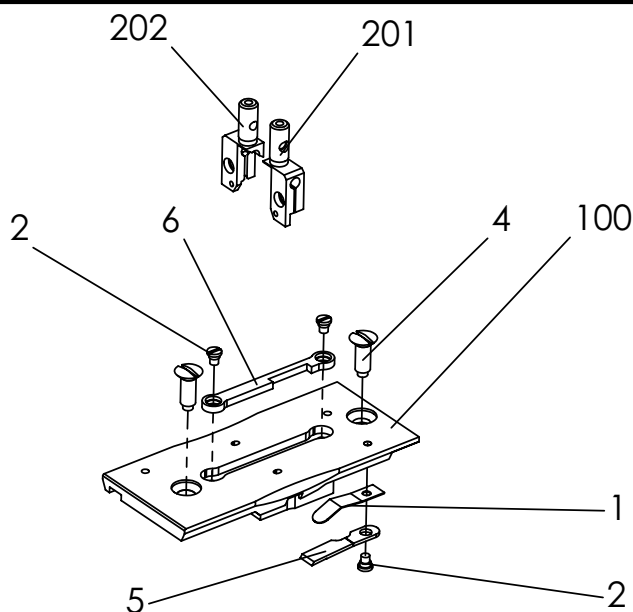
Zylinder
cylinder
1000242.00

Stempel
punch
008489.00

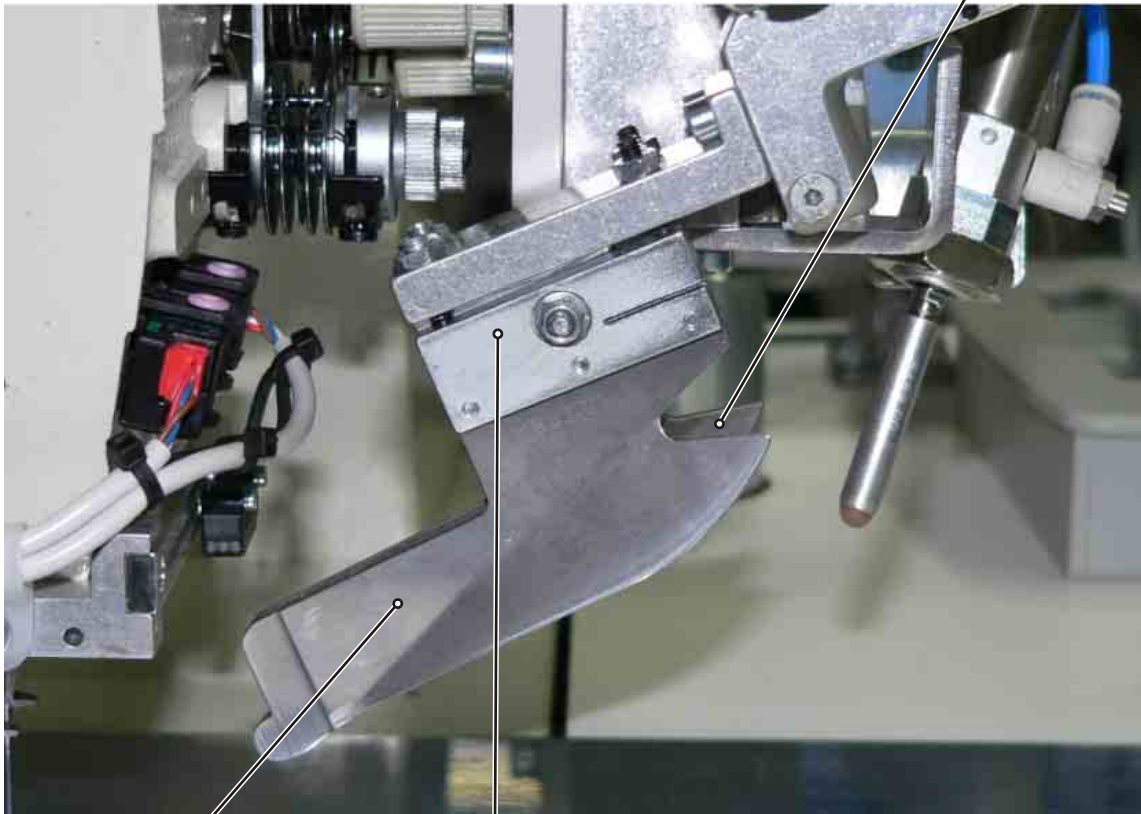
Abluftdrossel
throttle valve
006927.00



NR. No.	STÜCK PIECE	ARTIKEL NR. ARTICLE NO.	BEZEICHUNG	NAME
1	2	008452-00	Blattfeder	leaf spring
2	4	3400106.00	Schraube	screw
3	2	3402119.00	Gewindestift	set screw
4	2	3400105.00	Schraube	screw
5	2	3400101.00	Messer	knife
6	1	3400107.00	Messer	knife
100	1	008494-00	Stichplatte NA 8	stitch plate needle distance 8mm
	1	008493-00	Stichplatte NA 10	stitch plate needle distance 10mm
	1	008425-00	Stichplatte NA 12	stitch plate needle distance 12mm
	1	008730-00	Stichplatte NA 14	stitch plate needle distance 14mm
	1	008743-00	Stichplatte NA 16	stitch plate needle distance 16mm
	1	008848-00	Stichplatte NA 18	stitch plate needle distance 18mm
	1	008737-00	Stichplatte NA 20	stitch plate needle distance 20mm
	1	008674-00	Stichplatte NA 22	stitch plate needle distance 22mm
	1	009564-00	Stichplatte NA 24	stitch plate needle distance 24mm
	1	010542-00	Stichplatte NA 26	stitch plate needle distance 26mm
	1	010461-00	Stichplatte NA 30	stitch plate needle distance 30mm
200	1	009124-00	Nadelhalter NA 8	needle holder , distance 8mm
	1	008766-00	Nadelhalter NA 10	needle holder , distance 10mm
	1	008673-00	Nadelhalter NA 12	needle holder , distance 12mm
	1	008678-00	Nadelhalter NA 14	needle holder , distance 14mm
	1	008742-00	Nadelhalter NA 16	needle holder , distance 16mm
	1	009157-00	Nadelhalter NA 18	needle holder , distance 18mm
	1	008738-00	Nadelhalter NA 20	needle holder , distance 20mm
	1	008675-00	Nadelhalter NA 22	needle holder , distance 22mm
	1	009563-00	Nadelhalter NA 24	needle holder , distance 24mm
	1	010543-00	Nadelhalter NA 26	needle holder , distance 26mm
	1	010460-00	Nadelhalter NA 30	needle holder , distance 30mm



NR. No.	STÜCK PIECE	ARTIKEL NR. ARTICLE NO.	BEZEICHNUNG	NAME
1	2	008452-00	Blattfeder	leaf spring
2	4	3400106.00	Schraube	screw
3				
4	2	3400105.00	Schraube	screw
5	2	3400101.00	Messer	knife
6	1	3400107.00	Messer	knife
100	1	008494-00	Stichplatte NA 8	stitch plate needle distance 8mm
	1	008493-00	Stichplatte NA 10	stitch plate needle distance 10mm
	1	008425-00	Stichplatte NA 12	stitch plate needle distance 12mm
	1	008730-00	Stichplatte NA 14	stitch plate needle distance 14mm
	1	008743-00	Stichplatte NA 16	stitch plate needle distance 16mm
	1	008848-00	Stichplatte NA 18	stitch plate needle distance 18mm
	1	008737-00	Stichplatte NA 20	stitch plate needle distance 20mm
	1	008674-00	Stichplatte NA 22	stitch plate needle distance 22mm
	1	009564-00	Stichplatte NA 24	stitch plate needle distance 24mm
	1	010542-00	Stichplatte NA 26	stitch plate needle distance 26mm
	1	010461-00	Stichplatte NA 30	stitch plate needle distance 30mm
201	1	3400608.01	Nadelhalter rechts NA 8	needle holder , right, distance 8mm
	1	3400610.01	Nadelhalter rechts NA 10	needle holder , right, distance 10mm
	1	3400612.01	Nadelhalter rechts NA 12	needle holder , right, distance 12mm
	1	3400614.01	Nadelhalter rechts NA 14	needle holder , right, distance 14mm
	1	3400616.01	Nadelhalter rechts NA 16	needle holder , right, distance 16mm
	1	3400618.01	Nadelhalter rechts NA 18	needle holder , right, distance 18mm
	1	3400620.01	Nadelhalter rechts NA 20	needle holder , right, distance 20mm
	1	3400624.01	Nadelhalter rechts NA 24	needle holder , right, distance 24mm
	1	3400626.01	Nadelhalter rechts NA 26	needle holder , right, distance 26mm
	1	3400630.01	Nadelhalter rechts NA 30	needle holder , right, distance 30mm
202	1	3400608.02	Nadelhalter links NA 8	needle holder , left, distance 8mm
	1	3400610.02	Nadelhalter links NA 10	needle holder , left, distance 10mm
	1	3400612.02	Nadelhalter links NA 12	needle holder , left, distance 12mm
	1	3400614.02	Nadelhalter links NA 14	needle holder , left, distance 14mm
	1	3400616.02	Nadelhalter links NA 16	needle holder , left, distance 16mm
	1	3400618.02	Nadelhalter links NA 18	needle holder , left, distance 18mm
	1	3400620.02	Nadelhalter links NA 20	needle holder , left, distance 20mm
	1	3400624.02	Nadelhalter links NA 24	needle holder , left, distance 24mm
	1	3400626.02	Nadelhalter links NA 26	needle holder , left, distance 26mm
	1	3400630.02	Nadelhalter links NA 30	needle holder , left, distance 30mm

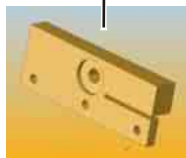


011899.01

011899.02

Führungskopf Standard

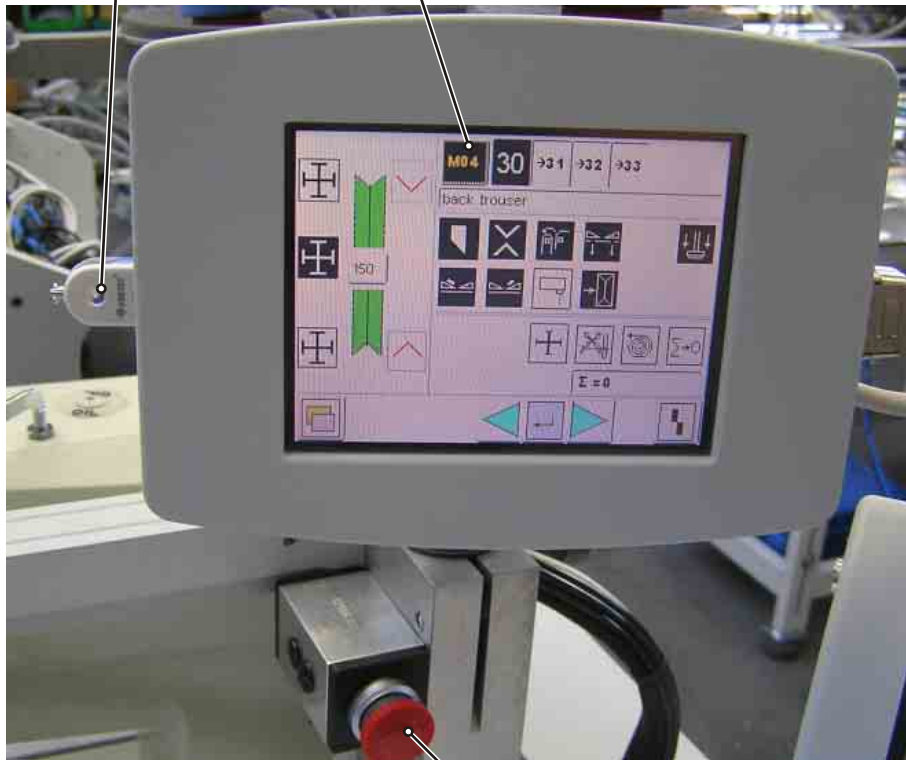
Führungsblechhalter Führungsblechhalter



NA8	007557.00	007808.00
NA10	007557.00	007808.00
NA12	007557.00	007808.00
NA14	007679.00	007809.00
NA16	007679.00	007809.00
NA18	008116.00	008117.00
NA20	008116.00	008117.00
NA22	007911.00	007912.00
NA24	007911.00	007912.00
NA26	010540.00	010541.00
NA30	010465.00	010466.00

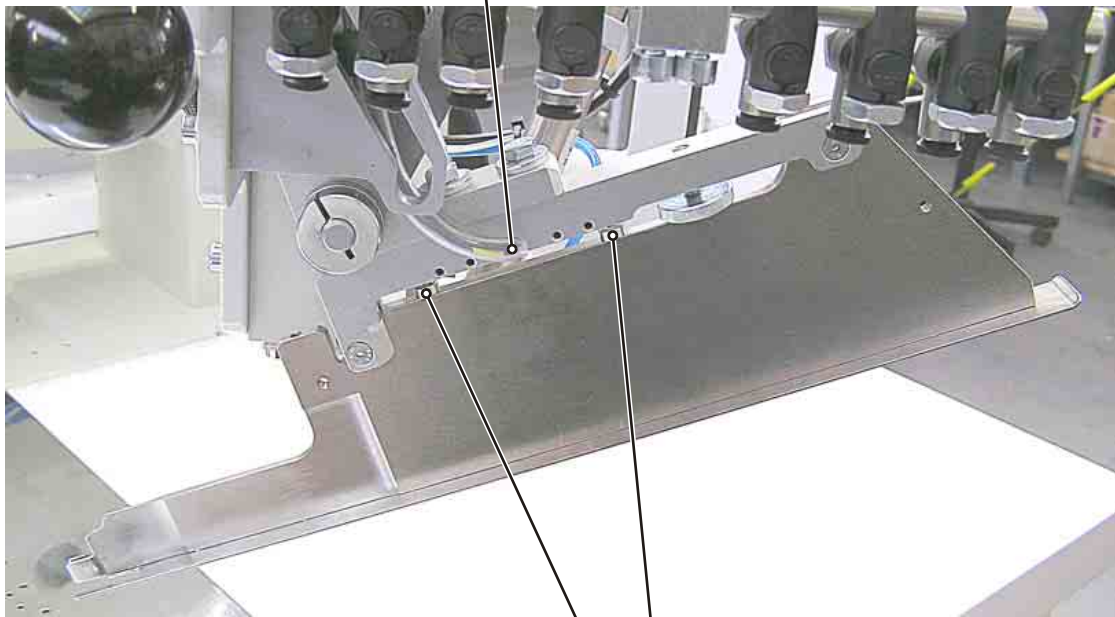
USB - Stick
USB - stick
2102060.00

Bedienfeld
touch screen
47.100/68.20



Kontaktelement
contact element
2100760.00

Magnetschalter
magnetic switch
012149.00



Ringmagnet
ring magnet
2102069.02

Magnetschalter M8
magnetic switch
012187.00

Halter
holder
011841.00

Abluftdrossel
throttle valve
006927.00

Zylinder
cylinder
1000508.00

Führung
rail guide
1500553.00



Magnetschalter
magnetic switch
012222.00

Bock
holding device
011843.00

Hebel
lever
012055.00

Gelenkkopf
swivel head
1500391.00

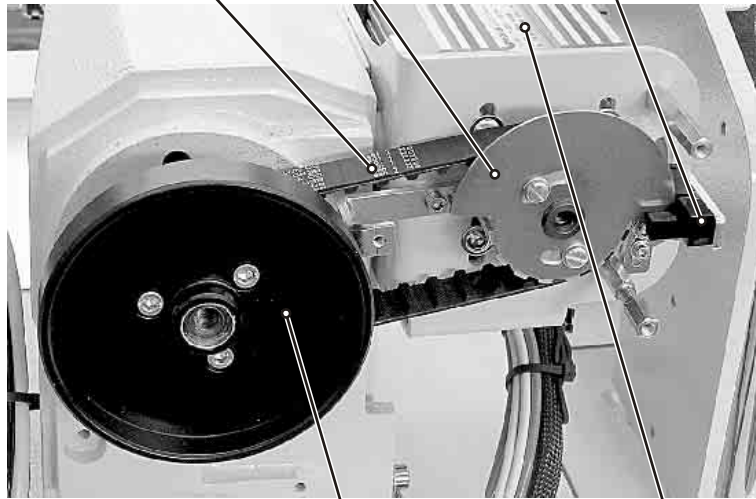
Befestigung
mounting
1000508.10

From the library of: Diamond Needle Corp

Zahnriemen
toothed belt
2500802.06

Segmentscheibe
segment disc
011876.00

Lichtschranke
light barrier
2102064.00



Handrad
hand wheel
011873.00

Motor
motor
2400837.00

Schaltelement
switching element
2500910.01

