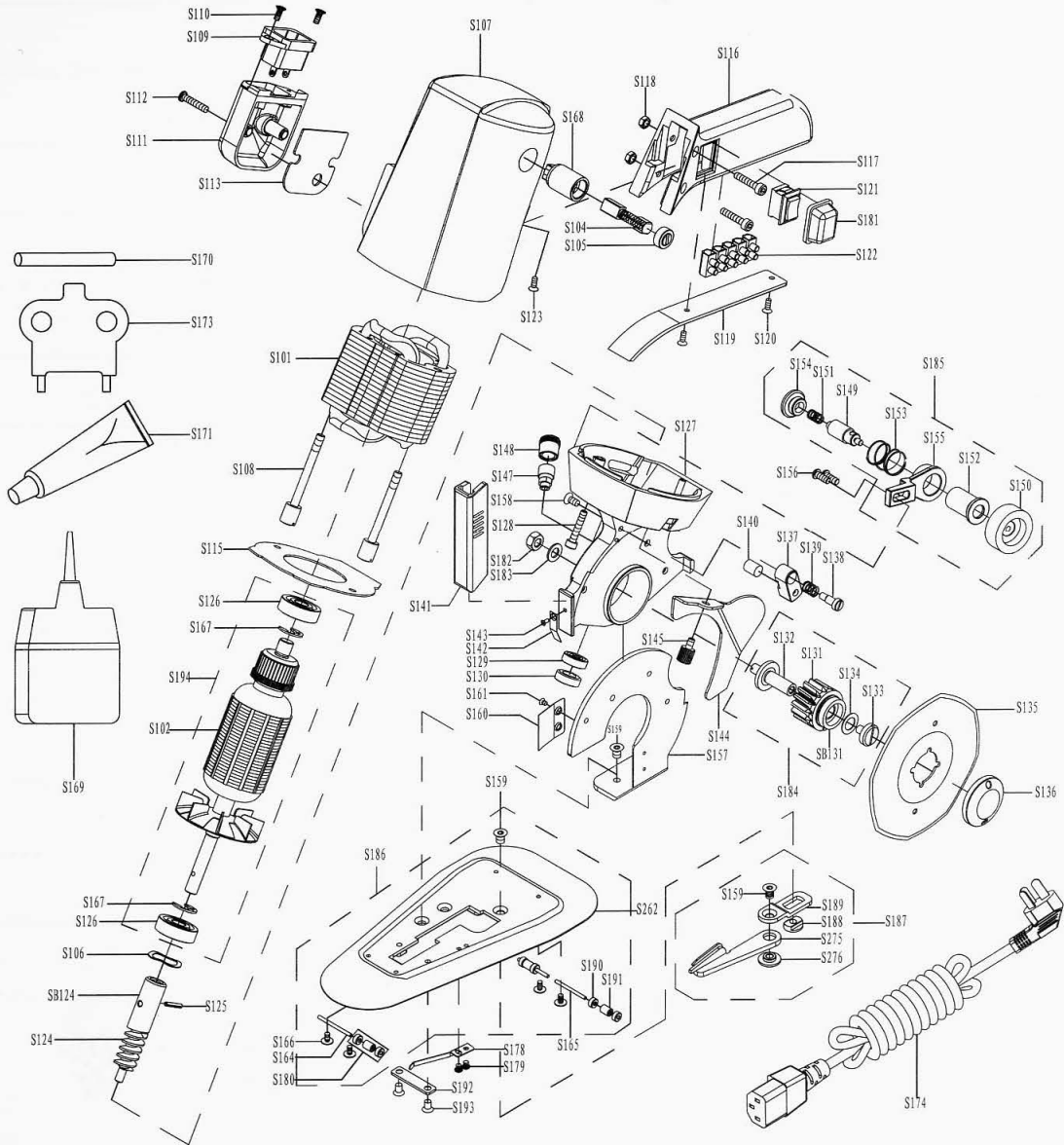


立体装配图 Three Dimensional Assembly Picture



S101定子Stator	S147润滑油杯Grease Cup
S102转子Rotor	S148油杯帽Cap For Gease Cup
S104碳刷Carbon Brush	S149砂轮轴Grinder Shaft
S105碳刷帽Cap For Carbon Brush	S150砂轮Emery Wheel
S106波浪形垫圈Wave Washer	S151砂轮内轴弹簧Grinder Spring
S107电机盖Motor Cover	S152砂轮外轴Grinder Collar
S108定子螺丝Screw For Stator	S153砂轮外轴弹簧Spring For Collar
S109插座Terminal	S154砂轮按钮Sharpening Switch
S110插座螺丝Screw For Terminal	S155砂轮手臂Gringder Arm
S111插座盒Terminal Plate	S156砂轮手臂螺钉Screw Fro Grinder Arm
S112插座盒螺钉Screr For T.box	S157导向架Standard
S113插座盒垫片Terminal Plate Washer	S158导向架螺钉(上)Screw For Standard(Upside)
S115空气导向片Air Guide	S159导向架螺钉(下)Screw For Standard(Bottom)
S116手柄Drive Handle	S160分布片Guide Plate
S117手柄螺钉Screw For Handle	S161分布片螺钉Screw For Guide Plate
S118手柄螺母But For Handle	S262底座Base Plate
S119手柄盖Cover For Handle	S164滚子轴(前)Roller Shaft(Front)
S120手柄盖螺丝Screw For Cover	S165滚子轴(尾)Roller Shaft(Rear)
S121开关Switch	S166滚子轴螺钉Screw Fro Roller Shaft
S122接线柱Connecting Terminal	S167轴用挡圈Shaft Ring
S123接地螺丝Screw For Earth	S168碳刷组件Carbon Brush Socket Assembly
S124蜗杆Drive Gear	S169加油器Oiler
S8124双头蜗杆(100B专用)Double Sprial line drive gear	S170轴销Lock Shaft
S125蜗杆定位销Roll Pin	S171润滑油Grease
S126轴承Bearing	S173扳手Wrehch
S127齿轮盒Gear Box	S174电源线Code Complete With Earth
S128齿轮盒螺丝Screw For G.box	S275下刀Lower Knife
S129轴承Drive Gear Metal	S276下刀螺母Nut
S130轴承盖Cover For Metal	S178下刀弹片Resseure Spring For Lower Blade
S131蜗轮Worm Wheel	S179弹片螺丝Screw For Pressure Spring
S8131蜗轮(100B专用)Worm Wheel	S180底盘滚子成套Rear Roller Set
S132蜗轮轴Shaft Gear	S181开关盖Switch Cap
S133蜗轮轴螺丝Shaft Gear Screw	S182蜗轮轴锁紧螺母Nut
S134蜗轮垫圈Ring For Gear	S183平垫圈Washer
S135刀片(八角)Knife	S184蜗轮成套Worm Wheel Assembly
S136刀片锁紧螺母Nut	S185砂轮成套Grind Assembly
S137刀片加油器Knife Oiler	S186底座组件Base Plate Assembly
S138加油器螺丝Screw For Oiler	S187下刀成套Lower Knife Assembly
S139加油器弹簧Spring For Oiler	S188下刀调节螺母Lower Knife Adjuster Nut
S140油毡Oil Felt	S189下刀调节块Lower Knife ADjuster
S141刀片护架Knife Guard	S190底盘滚子Roller
S142护架弹簧片Spring For Guard	S191滚子隔套Roller Collar
S143弹簧片螺钉Screw For Spring	S192下刀支撑块Lower Knife Holder
S144安全片SafetyA Plate	S193支撑块Screw
S145安全片螺钉Screw For Plate	S194转子成套组件Rotor Assembly