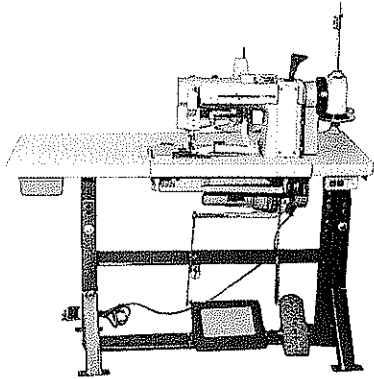


INVEST IN THE BEST

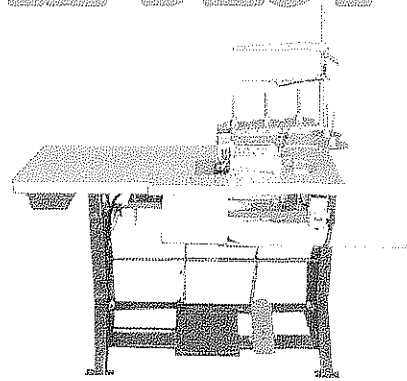


300UBS BOX SPRING TAPER

High quality 300U style head
Many parts interchangeable with
Cash tape edge head parts

Optional electronic motor with needle-up
positioning

Price without options: **\$8300 US**

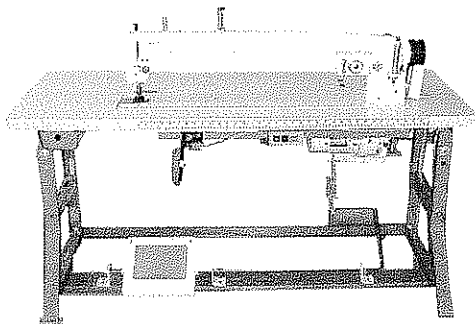


C510 SERGER FLANGER

Heavy duty Pegasus EXT3216H head
High needle lift - 1" safety stitch
Approximately 4500 rpm sewing
For materials that compress to 3/8"
Optional vacuum system

Prices without options: **\$9350 US**

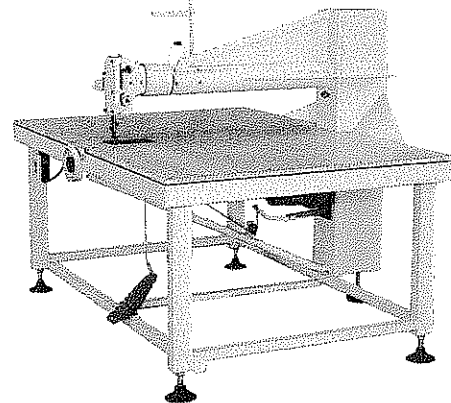
C900 ZIG-ZAG / LABELER



30" (76CM) capacity under arm
Adjustable zig-zag width (3/8" max width)
Easily adjustable for straight stitching
Air operated presser foot lift & reverse stitch
Optional electronic motor with
needle-up positioning

Price without options: **\$9890 US**

C800 QUILT REPAIR



40" long arm - Sews in any direction
Extra large work surface - 4' x 6'
Non-directional presser foot
Classic **JAMES CASH** quilting head
Price without options: **\$9350 US**

TAPE EDGE MACHINERY, PANEL CUTTERS, MULTI-SLITTERS, BORDER SERGERS,
BORDER MACHINES, PANEL QUILTERS, AIR TABLES AND OTHER MACHINERY ALSO AVAILABLE
SPECIALIZED AND CUSTOMIZED MACHINERY
REMANUFACTURED TAPE EDGE MACHINES, BORDER MACHINES AND PANEL QUILTERS AVAILABLE

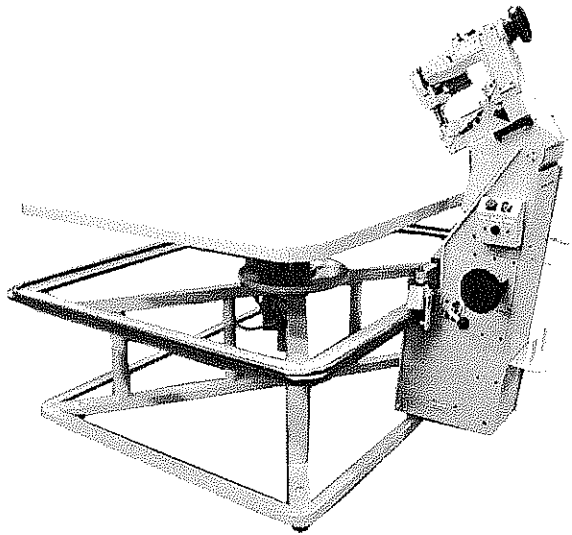


JAMES CASH MACHINE COMPANY

Since 1947, Quality then - quality now

100 Outer Loop - Louisville, KY 40214 USA
Phone: (502) 361-1726 Fax: (502) 361-4287

INVEST IN THE BEST



TAPE EDGE MACHINES

Four models of tape edge machinery
Traditional 300U style head
Parts interchangeable with older 300U
models and many 300W models
Up to 2" binders available

Options: Queen and King tables
King leaves, Needle cooler,
Auto head tilt and more

Prices options start at: **\$19215 US**

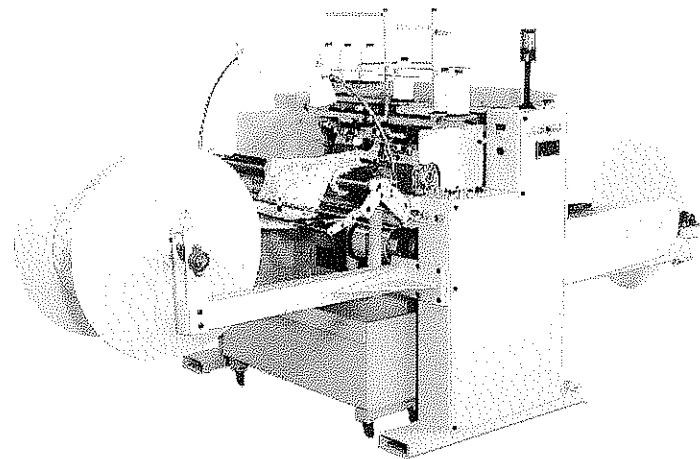
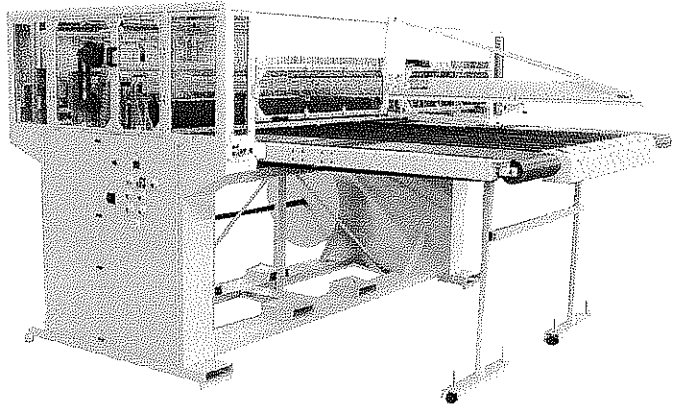
PK-200 PANEL CUTTER

EASY SETUP - Cuts to length and slits to width
Up to 96" material accepted
12" cross cut and slitter blades for thick goods
Variable speed motor

Options: Border wind up reel
Extra blade assemblies and more

Price without options: **\$48900 US**

MS392 multi-slitter available for slitting only
Price for slitter without options: **\$22775 US**



BS2001 BORDER SERGER

One or two sides, 150' per minute
0" to 31", roll diameter to 48"
Rugged solid steel welded chassis
Variable speed drive motor
Optional Hemmer

Price without options: **\$26990 US**

**Model BS2002 available with
measuring and cutting ability**

BORDER MACHINES, AIR TABLES, BOX SPRING TAPERS, PANEL QUILTERS, SERGER FLANGERS,
ZIG-ZAG LABELERS, QUILT REPAIR MACHINES AND OTHER MACHINERY ALSO AVAILABLE
SPECIALIZED AND CUSTOMIZED MACHINERY
REMANUFACTURED TAPE EDGE MACHINES, BORDER MACHINES AND PANEL QUILTERS AVAILABLE



JAMES CASH MACHINE COMPANY

Since 1947, Quality then - quality now

100 Outer Loop - Louisville, KY 40214 USA
Phone: (502) 361-1726 Fax: (502) 361-4287