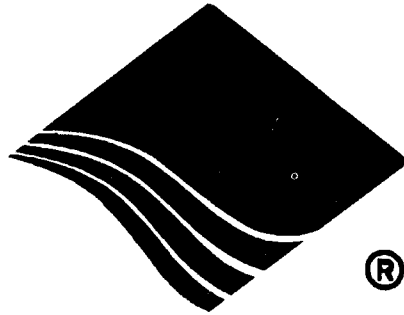


Purchasing Dept
Copy



HIGHLEAD

GA2388-1

**Cylindrical Bed Extra-Heavy Duty
Top And Bottom-Feed Lockstitch Sewing Machine**

**Instruction Manual
Parts Catalog**

SHANGHAI HUIGONG NO.3 SEWING MACHINE FACTORY

CONTENTS

1、Precautions before Starting Operation.....	1
■ Safety precautions	1
■ Precautions before Starting Operation	1
■ Precautions for Operation Conditions	1
2、Specification	1
3、PREPARATION FOR OPERATION	2
■ Cleaning the machine	2
■ Examination	2
■ Lubrication	2
■ Testing	2
4、HOW TO ATTACH A NEEDLE	2
5、WINDING OF BOBBIN THREAD.....	3
6、ADJUSTMENT OF THE BOBBIN WINDER	3
■ In case of uneven winding.....	3
■ Winding amount of thread	3
■ Winding strength	3
7、THREADING	4
8、REMOVING AND INSERTING THE BOBBIN.....	4
■ Removing	4
■ Installation	4
9、ADJUSTING THE THREAD TENSION	4
■ Tension of the upper thread	5
■ Tension of the lower thread.....	5
10、ADJUSTMENT OF PRESSER PRESSURE	5
11、ADJUSTMENT OF WALKING FOOT AND PRESSER FOOT.....	6
12、FEEDING AMOUNT ADJUSTMONT FOR TOP FEED.....	6
13、ADJUSTMNET OF STITCH LENGTH AND FORWARD/BACKWARD SEWING.....	7
14、FEED DOG HEIGHT	7
15、ADJUSTING THE HEIGHT OF THE NEEDLE BAR.....	7

1. PRECAUTIONS BEFORES STARING OPERATION

1) Safety precautions:

(1) When turning the power on, keep your hands and fingers away from the area around/under the needle and the area around the pulley.

(2) Power must be turned off when the machine is not in use, or when the operator leaves the seat.

(3) Power must be turned off when tilting the machine head, installing or removing the “V” belt, adjusting the machine, or when replacing.

(4) Avoid placing fingers, hairs, bars etc., near the pulley, “V” belt, bobbin winder pulley, or motor when the machine is in operation.

(5) Do not insert fingers into the thread take-up cover, under/around the needle, or pulley when the machine is in operation.

(6) If a belt cover, finger guard, eye guard are installed, do not operate the machine without these safety devices.

2) Precautions before starting operation:

(1) If the machine's oil pan has an oil sump, never operate the machine before filling it.

(2) If the machine is lubricated by a drop oiler, never operate the machine before lubricating.

(3) When a new sewing machine is first turned on, verify the rotational direction of the pulley with the power on. (The pulley should rotate counterclockwise when viewed from the pulley)

(4) Verify the voltage and (single or three) phase with those given on the machine nameplate.

3) Precautions for operating conditions:

1) Avoid using the machine at abnormally high temperatures (35°C or higher) or low temperatures (5°C or lower) .

2) Avoid using the machine in dusty conditions.

2、 SPECIFICATION

Max. sewing speed (r.p.m)	800 r.p.m	
Needle No.	DY×3 26#	
Needle bar stroke (mm)	56	
Thread take-up lever stroke (mm)	96	
Stitch length (mm)	0-11	
Presser-foot stroke	By hand (mm)	13
	By knee (mm)	20
Shuttie hook	KSP-204N	
Lubrication	Manual	

3、 PREPARATION FOR OPERATION

(1) Cleaning the machine

Before leaving the factory, the machine parts are coated with rust-preventive grease, which may be hardened and contaminated by dust during storage and shipment. This grease must be removed with gasoline.

(2) Examination

Though every machine is confirmed by strict inspection and test before leaving the factory, the machine parts may be loose or deformed after long distance transportation with jolt. A thorough examination must be performed after cleaning the machine. Turn the pulley to see if there is running obstruction, parts collision, uneven resistance or abnormal noise. If these exist, adjustment must be made accordingly before run-in operation.

(3) Lubrication (Fig.1)

When a new sewing machine is used for the first time, or sewing machine left out of use for considerably long time is used again, replenish a suitable amount of oil to the portions indicated by arrow in below figure.

CAUTION: Please use white spindle oil.

Always keep the presser lifted before attempting a dry run.

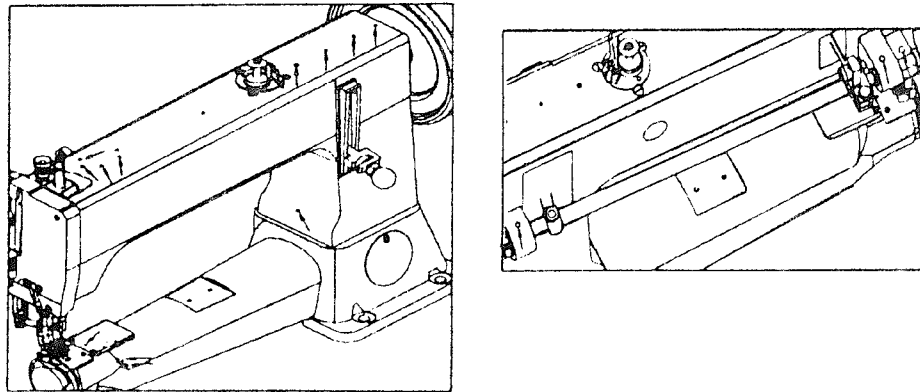


Fig.1

(4) Testing

In order to get the best working situation, run the sewing machine in a low speed for about 1 month after lubricated fully. Then increase the speed to the need one.

4、 HOW TO ATTACH A NEEDLE (Fig.2)

CAUTION: Before using the following procedures, be sure to turn the power switch off.

The needle used by this sewing machine is DY×3 26#. During operation, proper needle can be chosen according to the sewing thread. (the sewing thread should be able to pass the pinhole.)

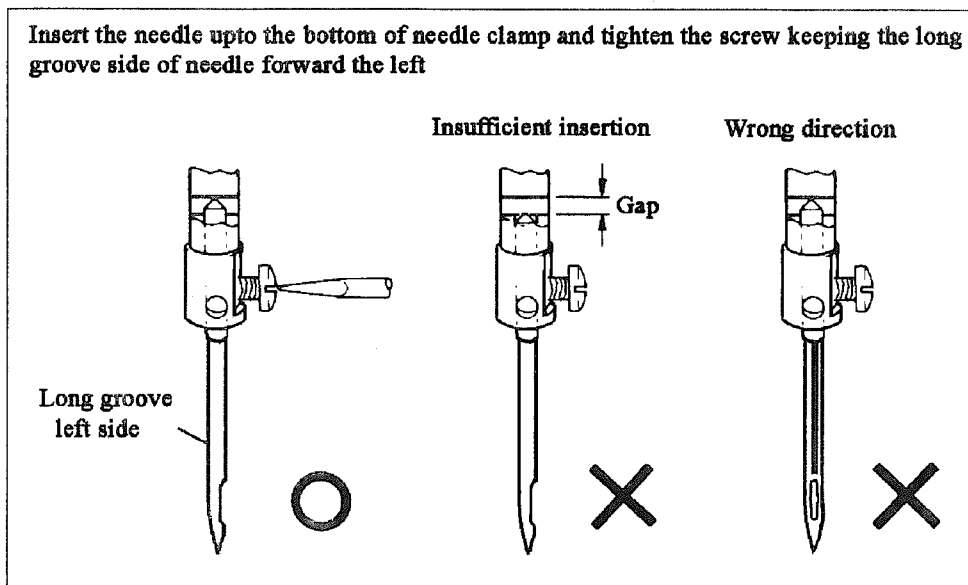


Fig.2

5. WINDING OF BOBBIN THREAD (Fig.3)

- (1) Push the bobbin ③ on the bobbin winder shaft as far as it will go.
- (2) Bring the thread forward toward the bobbin and wind from below in clockwise direction several times around the bobbin.
- (3) Push the lever ⑤ toward other side so that the driving wheel and driven wheel will engage and then start the machine.
- (4) The driven wheel will automatically be free from the driving wheel and stop after the bobbin is filled with thread.

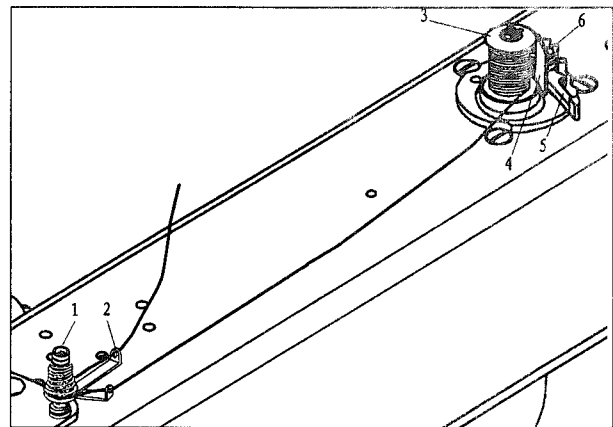


Fig.3

6. ADJUSTMENT OF THE BOBBIN WINDER (Fig.3)

(1) In case of uneven winding

If the thread dose not wind evenly on the bobbin, loosen the nut ① and move the bracket ② to the right or to the left as may be required, then tighten the nut.

(2) Winding amount of thread

Adjusting ⑥ can increase or decrease the amount of thread wound on the bobbin.

(3) Winding strength

Strength of the winding can be adjusted with the nut ①.

7、 THREADING (Fig.4)

Raise the needle bar to its highest position and route the upper thread in the order illustrated below.

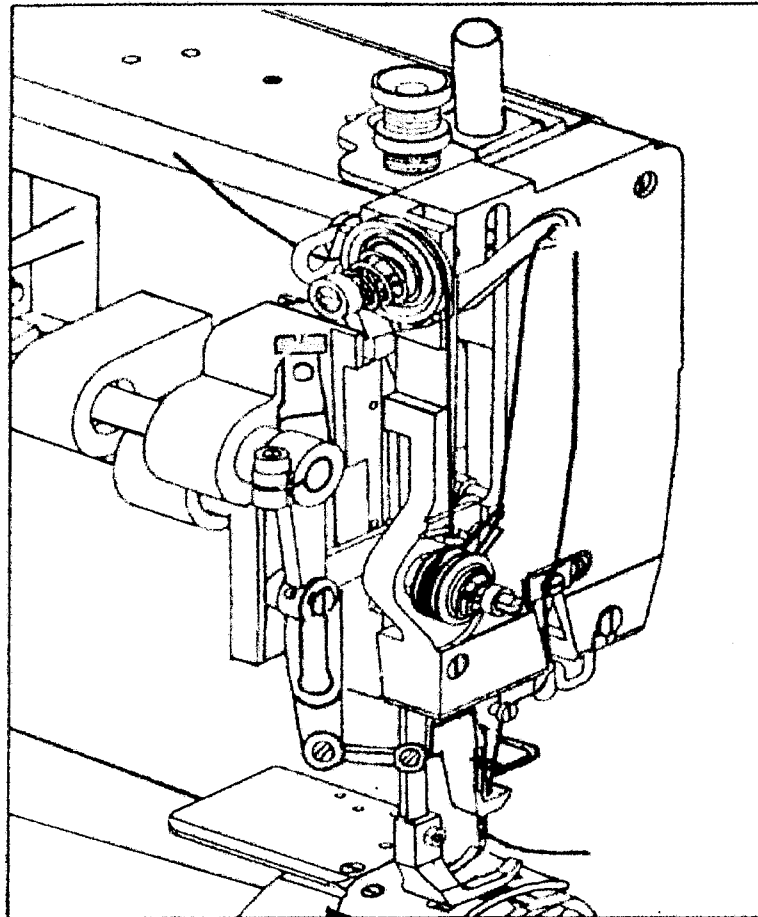


Fig.4

8、 REMOVING AND INSERTING THE BOBBIN

(1) Removing:

Open the shuttle race cap and the bobbin holder, then take out the bobbin.

(2) Installation:

Put the bobbin in the rotary hook case, Permit about 5 cm of bobbin thread to hand down freely. Install the bobbin in the bobbin case so that the thread wound direction is clockwise. Then close the rotary hook and the shuttle race cap.

9、 ADJUSTING THE THREAD TENSION (Fig.5)

For ordinary stitching, the tension of the upper and the lower threads should be equal.

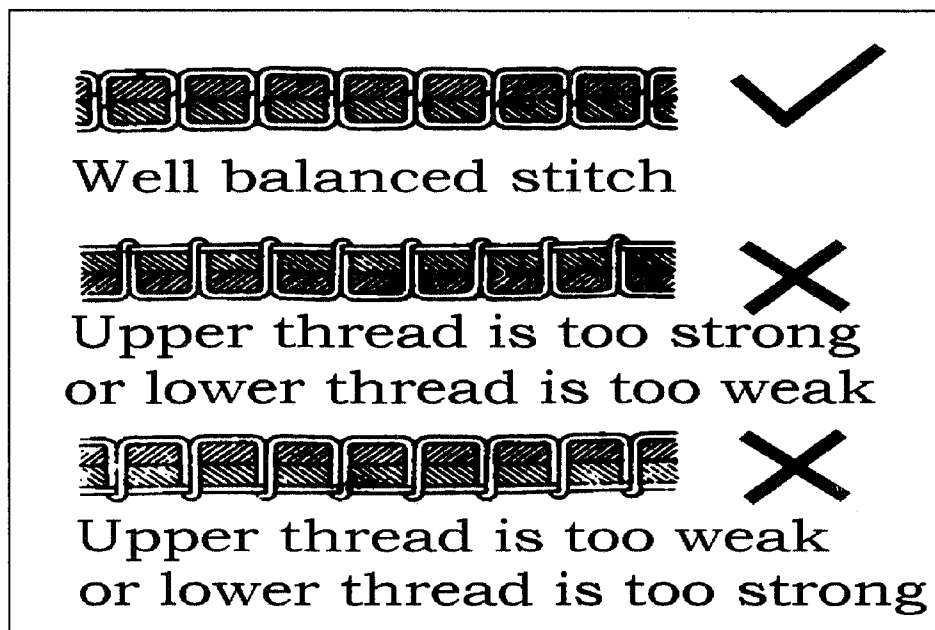


Fig.5

(1) Tension of the Upper thread

Before adjusting the tension of the upper thread, be sure that presser foot is let down. To adjust tension, turn serrated nut on tension device to the right (clockwise) to increase tension and to the left (counter-clockwise) if you desire to decrease the tension.

(2) Tension of the lower thread

The lower thread tension is controlled by the larger screw near the end of the spring at the outside of the bobbin case. Turning this screw to the right (clockwise) will increase the thread tension, while turning it to the left (counter-clockwise) will decrease the tension.

10、 ADJUSTMENT OF PRESSER PRESSURE (Fig.6)

- (1) Pressure should be adjusted according to the material to be sewn.
- (2) Pressure on both the walking foot and the presser foot can be adjusted. (The adjusting screw has been set before shipment.)
- (3) Sewing pressure should be adjusted to the minimum required strength.

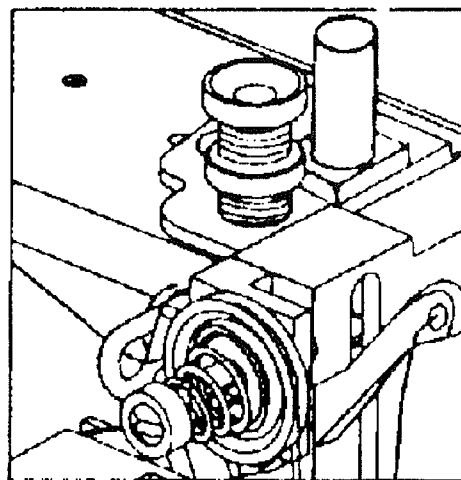


Fig.6

11、 ADJUSTMENT OF WALKING FOOT AND PRESSER FOOT (Fig.7)

- (1) The alternating movement on the walking foot and presser foot can be adjusted by changing the position relations of the parts of the presser foot lifting mechanism.
- (2) Changing the position relation of the connecting link 2 and the crank 3 can complete the adjustment.
- (3) Adjustment should be changed according to the thickness of the material to be sewn..

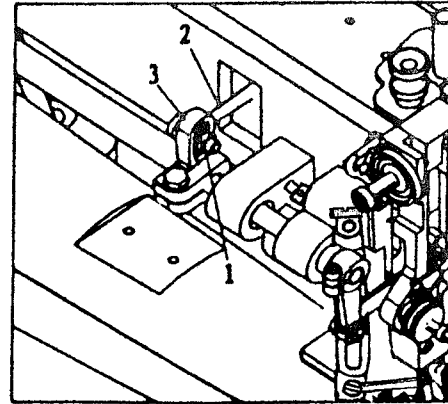


Fig.7

12、 FEEDING AMOUNT ADJUSTMENT FOR TOP FEED (Fig.8)

- (1) According to the requirement of sewing material.
Top and bottom feeding mechanism can be adjusted to synchronize each other and clockwise or anti-clockwise variable feeding is also available.
- (2) As shown, if the screw 1 is loosened, the nut 2 will turn clockwise and top feeding amount will reduce. On the contrary, feeding amount will increase. After the completion of adjustment, fully tighten the screw 1.

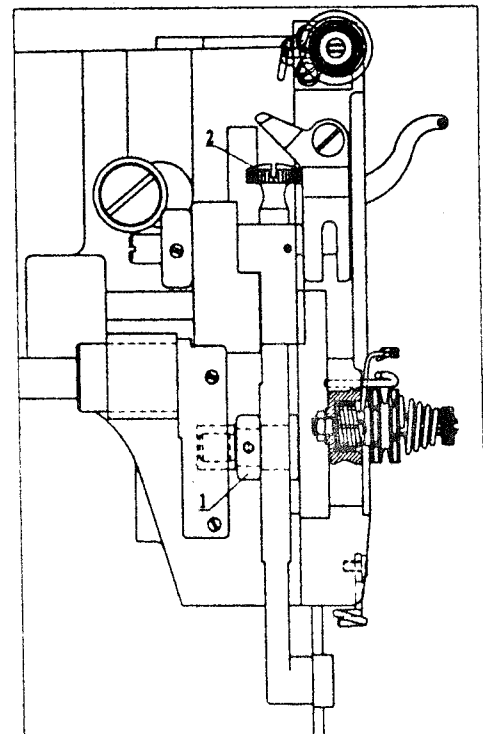


Fig.8

11、 ADJUSTMENT OF WALKING FOOT AND PRESSER FOOT (Fig.7)

- (1) The alternating movement on the walking foot and presser foot can be adjusted by changing the position relations of the parts of the presser foot lifting mechanism.
- (2) Changing the position relation of the connecting link 2 and the crank 3 can complete the adjustment.
- (3) Adjustment should be changed according to the thickness of the material to be sewn..

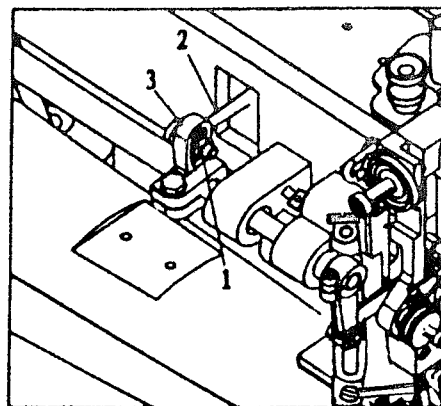


Fig.7

12、 FEEDING AMOUNT ADJUSTMONT FOR TOP FEED (Fig.8)

- (1) According to the requiroment of sewing material.
Top and botlom feeding mechanism can be adjusted to sychronizc each other and clock wise or anti-clockwise variable feeding is also available.
- (2) As chart,zf the screw 1 is loosened, the nut 2 will turn clockwise and top feeding amount will reduce. On the county,feeding amount will increase. After the completion of adjustment, Fulln tighten the screw1.

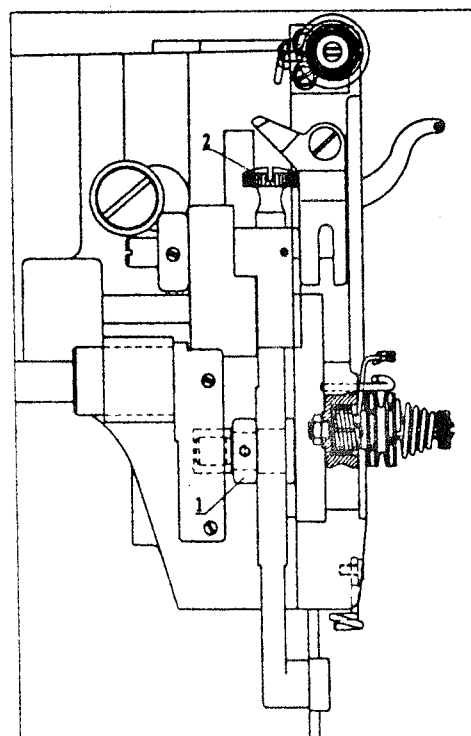


Fig.8

13、 ADJUSTMENT OF STITCH LENGTH AND FORWARD/BACKWARD

SEWING (Fig.9)

- (1) Adjusting the stitch length adjusting bolt can change the stitch length.
- (2) Stitch length can be adjusted between 0-11mm.
- (3) Setting the stitch length adjusting bolt above "0" can backstitch.

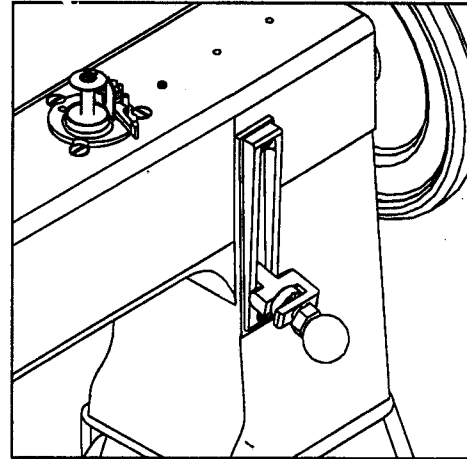


Fig.9

14、 FEED DOG HEIGHT (Fig.10)

The feed dog should be 1.5 mm higher than the vertex of the needle plate. Adjustment of the feed dog height can be done as follows:

- (1) Turn the machine pulley so as to raise the feed dog to its highest point.
- (2) Loosen the screw of the feed dog and adjust the height by raising or lowering it. Then tighten the screw.

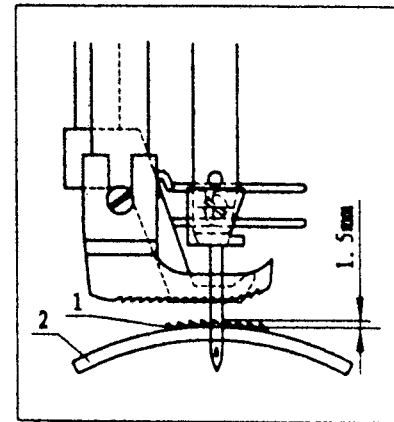


Fig.10

15、 ADJUSTING THE HEIGHT OF THE NEEDLE BAR (Fig.11)

When the needle bar is at its highest point, normally the measurement between the highest point of the needle plate and the needlepoint is 28 mm. When this distance need to be adjusted, the steps is as follows:

- (1) Take down the face plate, adjust the needle bar to its highest position.
- (2) Loosen the screw of needle bar connecting stud screw.
- (3) Adjust the needle bar to the right position.
- (4) Tighten the screw.

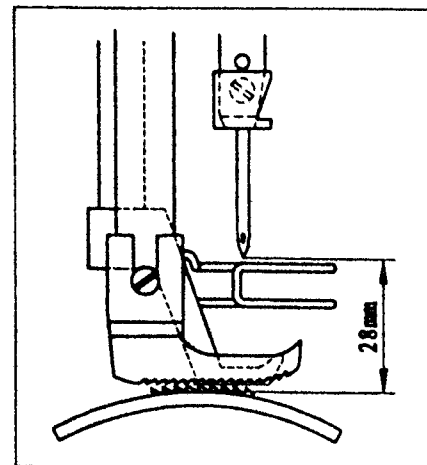
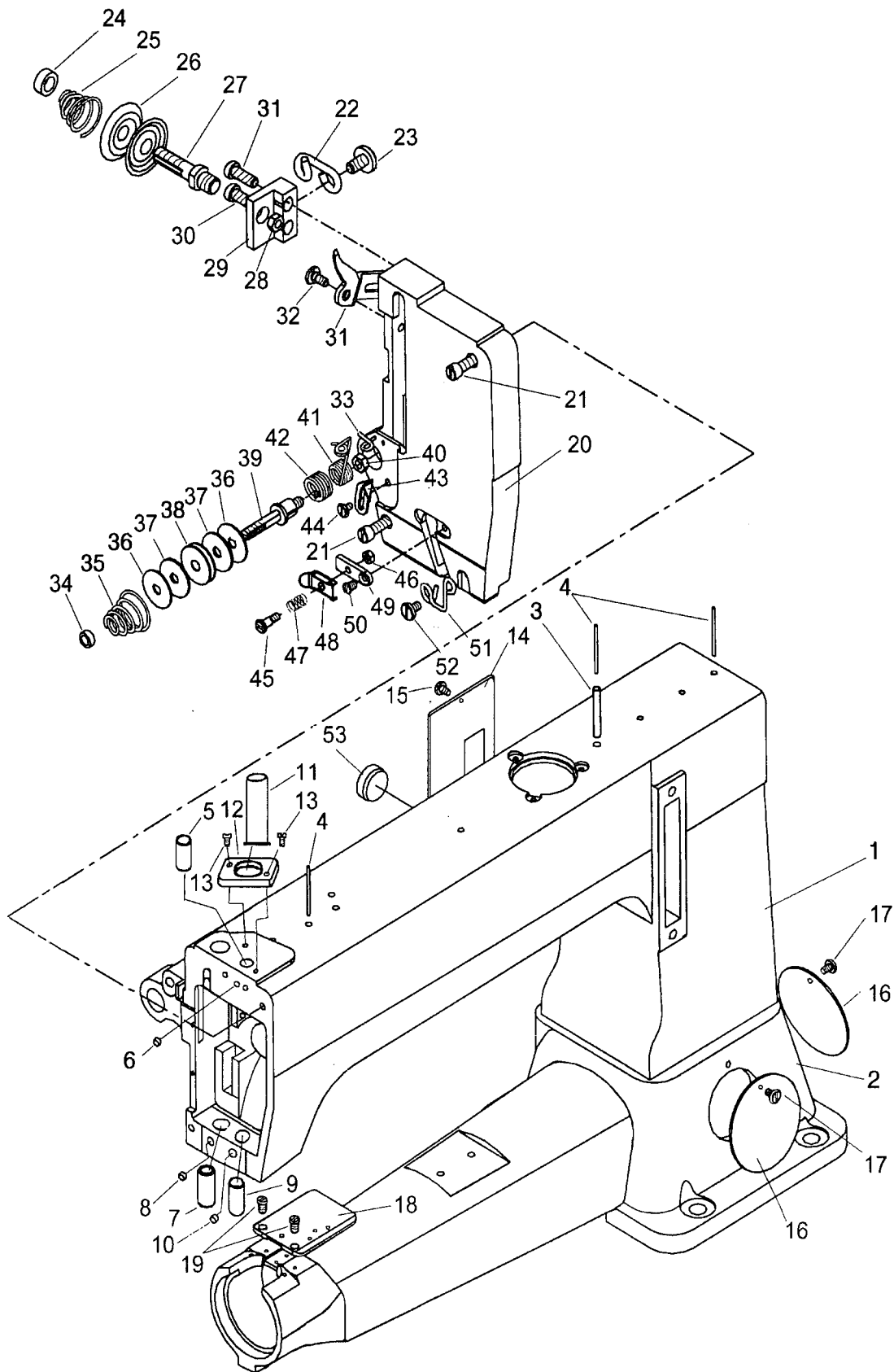


Fig.11

A.ARM BED AND ITS ACCESSORIES



From the library of: Diamond Needle Corp

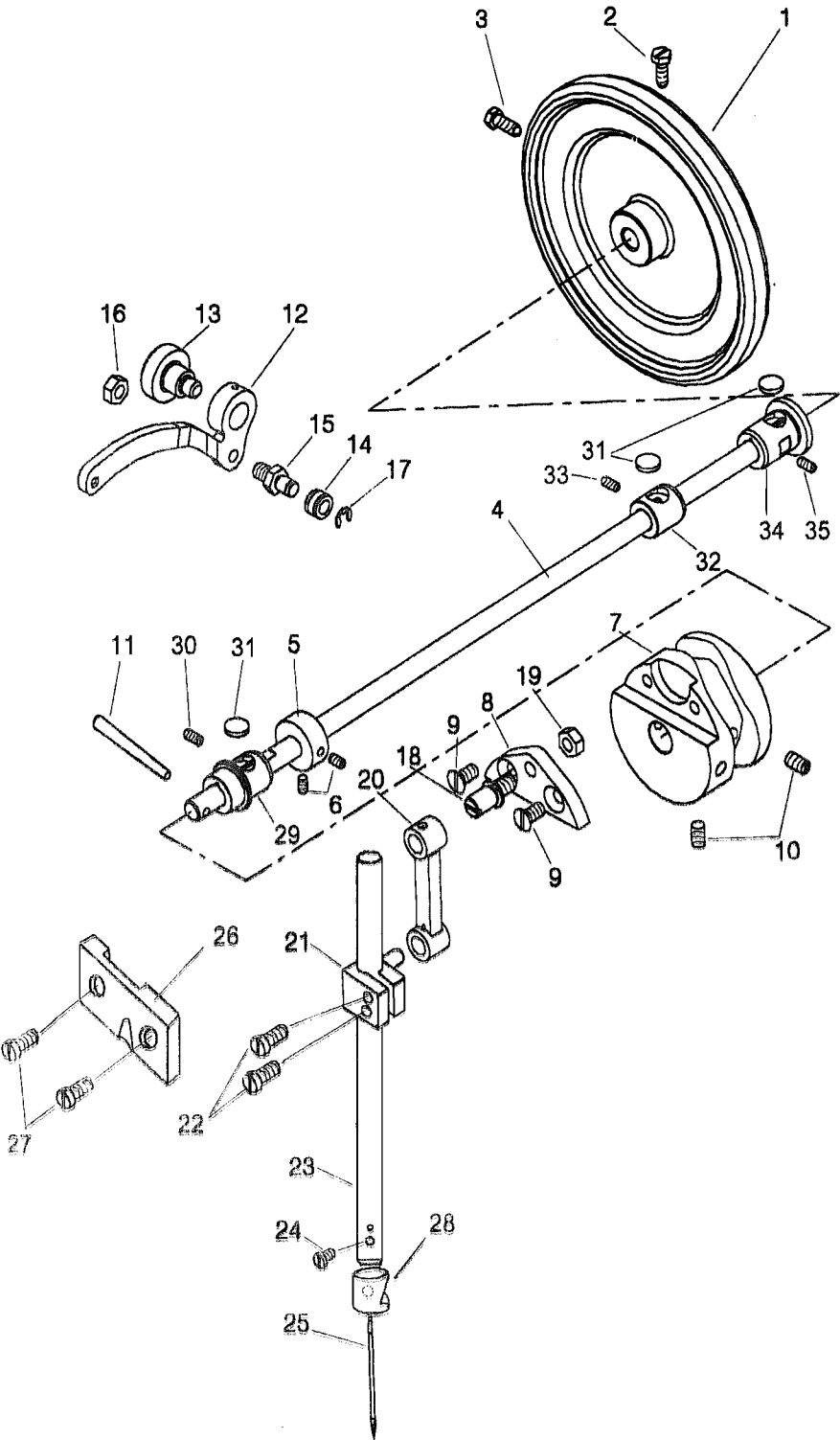
A.ARM BED AND ITS ACCESSORIES

Fig. No.	Part No.	Description	Pcs.	Remarks
A01	H9008B8001	Arm	1	
A02	H7210B8001	Bed	1	
A03	H7215B8001	Oil pipe	1	
A04	H7216B8001	Oil wick	3	
A05	H9009B8001	Needle bar bushing	1	
A06	H7239D8001	Screw	1	SM1/4(40)×3.5
A07	H7218B8001	Presser bar bushing	1	
A08	H9010B8001	Screw	1	SM1/4(40)×2.5
A09	H9011B8001	Needle bar bushing	1	
A10	H9010B8001	Screw	1	SM1/4(40)×2.5
A11	H9017B8001	Needle bar guard	1	
A12	H9018B8001	Needle bar guard plate	1	
A13	H2405D0664	Screw	2	SM11/64(40)×12
A14	H7225B8001	Arm side cover	1	
A15	HA100B2060	Screw	1	SM11/64(40)×9
A16	H7228B8001	Round cover	2	
A17	HA100B2060	Screw	2	SM11/64(40)×9
A18	H7235B8001	Worktable for accessories	1	
A19	HA7311C806	Screw	2	SM11/64(40)×9
A20	H9016B8001	Face plate	1	
A21	H7238B8001	Screw	2	SM15/64(28)×22
A22	H7240B8001	Thread guide	1	
A23	H3410C301K	Screw	1	SM11/64(40)×9
A24	HA115B0702	Nut	1	
A25	H7241B8001	Tension spring	1	
A26	HA310B0705	Tension disc	1	
A27	H7242B8001	Tension screw stud	1	
A28	H2010J0066	Tension nut	1	SM9/32(28)
A29	H7243B8001	Thread tension regulator complete base	1	
A30	HA111G0683	Screw	2	SM11/64(40)×12
A31	H7244B8001	Tension releasing disc	1	
A32	H7245B8001	Screw	1	SM3/16(28)
A33	H7246B8001	Thread guide	1	
A34	HA115B0702	Tension nut	1	
A35	H7241B8001	Tension spring	1	
A36	H7248B8001	Washer	2	
A37	H7249B8001	Felt	2	
A38	H7250B8001	Damping plate	1	
A39	H7251B8001	Tension screw stud	1	
A40	HA710N0683	Tensopm nut	1	SM15/64(28)
A41	H7253B8001	Thread take-up spring	1	
A42	H7254B8001	Spring	1	
A43	H7255B8001	Thread take-up spring guide plate	1	

A.ARM BED AND ITS ACCESSORIES

Fig. No.	Part No.	Description	Pcs.	Remarks
A44	H3410C301K	Screw	1	SM9/64(40)×6.5
A45	H7257B8001	Screw	1	
A46	H7258B8001	Nut	1	SM1/8(44)
A47	H7259B8001	Tension spring	1	
A48	H7260B8001	Tension disc	1	
A49	H7261B8001	Thread tension regulator complete base	1	
A50	HA7311CC06	Screw	1	SM9/64(40)×6
A51	H7262B8001	Thread guide	1	
A52	H3410C301K	Screw	1	
A53	HA300B2100	Rubber plug	1	

B.NEEDLE BAR AND THREAD TAKE-UP MECHANISM

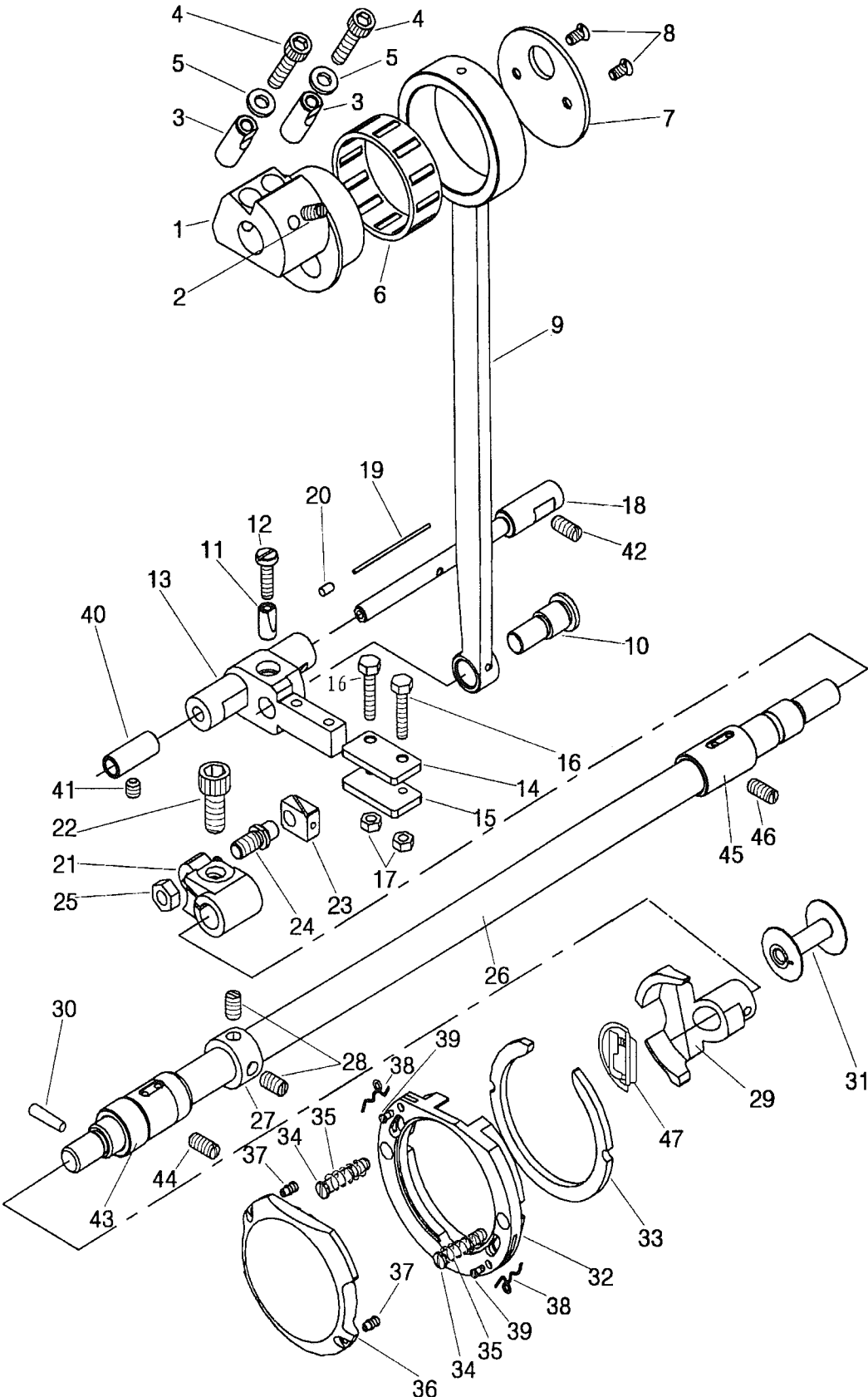


From the library of: Diamond Needle Corp

B.NEEDLE BAR AND THREAD TAKE-UP MECHANISM

Fig. No.	Part No.	Description	Pcs.	Remarks
B01	H7204C8001	Pulley	1	
B02	H7205C8001	Screw	1	
B03	H7206C8001	Screw	1	
B04	H7208C8001	Arm shaft	1	
B05	H9004C8001	Collar	1	
B06	HA105D0662	Screw	2	SM1/4(40)×6
B07	H7209C8001	Thread thke-up cam	1	
B08	H7210C8001	Needle bar connecting base link screw	1	
B09	H403060120	Screw	2	GB/T68 M6×12
B10	H4933K8001	Screw	2	SM1/4(40)×10
B11	H602040450	Pin	1	GB/T117 4×45
B12	H7211C8001	Thread take-up lever	1	
B13	H7212C8001	Screw	1	
B14	H7213C8001	Röller	1	
B15	H7214C8001	Roller pin	1	
B16	H2010J0066	Nut	1	SM9/32(28)
B17	H007013050	Retaining ring-E type	1	GB/T896 5
B18	H7215C8001	Needle bar connecting link screw	1	
B19	H2010J0066	Nut	1	SM9/32(28)
B20	H7216C8001	Needle bar connecting link	1	
B21	H9006C8001	Needle bar connecting stud	1	
B22	HA800F2020	Screw	2	SM15/64(28)×13.5
B23	H9007C8001	Needle bar	1	
B24	HA700F2100	Screw	1	SM11/64(40)×7
B25	H7220C8001	Needle	1	DY*3 26#
B26	H9008C8001	Lifting presser rod plate	1	
B27	HA800F2020	Screw	2	SM15/64(28)×13.5
B28	H9010C8001	Thread guide for needle bar	1	
B29	H7213B8001	Bushing	1	
B30	H2405D0664	Screw	1	
B31	H7214B8001	Felt	3	
B32	H7212B8001	Bushing	1	
B33	H2405D0664	Screw	1	
B34	H7211B8001	Bushing	1	
B35	H2405D0664	Screw	1	

C.LOWER SHAFT MECHANISM



From the library of: Diamond Needle Corp

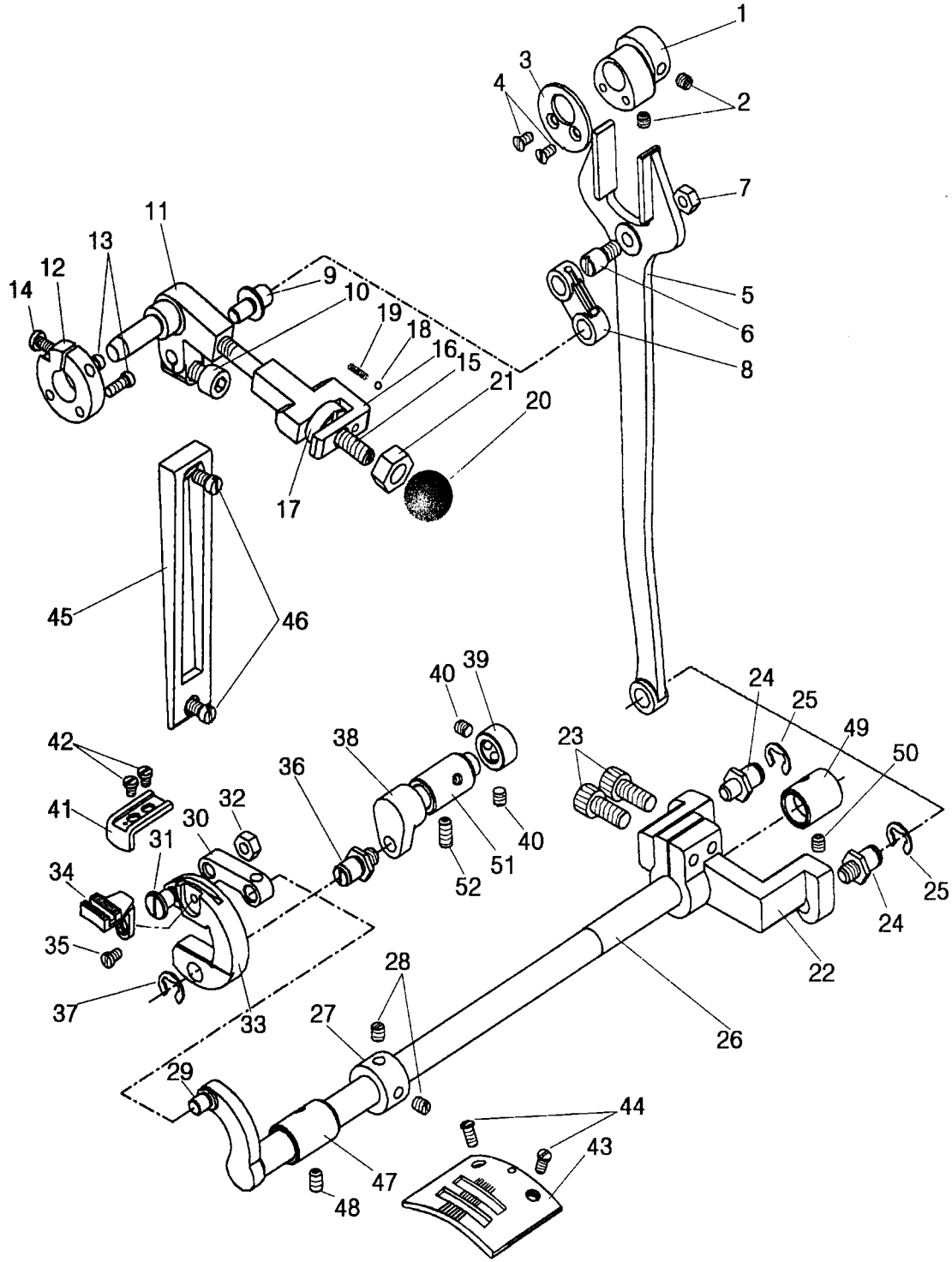
C.LOWER SHAFT MECHANISM

Fig. No.	Part No.	Description	Pcs.	Remarks
C01	H7204D8001	Eccentric	1	
C02	H7205D8001	Screw	1	SM15/64(28)×12
C03	H7206D8001	pin	2	
C04	H415060250	Screw	2	GB/T70.1 M6×25
C05	H4728H8001	Washer	2	
C06	H7237D8001	Bearing	1	K43×48×17(NTN)
C07	H7207D8001	Eccentric cover	1	
C08	H2000B2050	Screw	2	SM11/64(40)×9
C09	H7208D8001	Crank connecting rod	1	
C10	H7209D8001	Crank connecting rod pin	1	
C11	H7210D8001	Pin	1	
C12	H7211D8001	Screw	1	SM3/16(32)×18
C13	H7213D8001	Shuttle shaft	1	
C14	H7214D8001	Plate	1	
C15	H7215D8001	Plate	1	
C16	H7216D8001	Screw	2	
C17	H2000M0120	Nut	2	SM11/64(40)
C18	H7218D8001	Inside Shaft	1	
C19	H7219D8001	Oil wick	1	
C20	H7220D8001	Rivet	1	
C21	H7222D8001	Lower shaft crank	1	
C22	H415080200	Screw	1	GB/T70.1 M8×20
C23	H7223D8001	Shuttle shaft slide block	1	
C24	H7224D8001	Screw	1	
C25	H2010J0066	Nut	1	SM9/32(28)
C26	H7226D8001	Lower shaft	1	
C27	HA108G0661	Collar	1	
C28	H7239D8001	Screw	2	SM1/4(40)×3.5
C29	H9005D8001	Shuttle driver	1	
C30	H602040180	Pin	1	GB/T117 4×18
C31	H7228D8001	Bobbin	1	
C32	H7229D8001	Shuttle race body	1	
C33	H7230D8001	Shuttle race back ring	1	
C34	H7231D8001	Screw	2	SM3/16(28)
C35	H7232D8001	Spring	2	
C36	H7233D8001	Shuttle race cap	1	
C37	H7234D8001	Screw	2	SM1/8(44)×3
C38	H7235D8001	Spring	2	
C39	H7236D8001	Screw	2	SM3/32(56)×4.9
C40	H7234B8001	Bushing	1	
C41	HA3411D308	Screw	1	SM15/64(28)×7
C42	HA100C2020	Screw	1	SM15/64(28)×10
C43	H7230B8001	Bushing	1	

C.LOWER SHAFT MECHANISM

Fig. No.	Part No.	Description	Pcs.	Remarks
C44	H2405D0664	Screw	1	SM15/64 (28) × 14
C45	H7229B8001	Bushing	1	
C46	H2405D0664	Screw	1	SM15/64 (28) × 14
C47	H7240D7101	Shuttle hook	1	KSP-204N

D.FEEDING MECHANISM



From the library of: Diamond Needle Corp

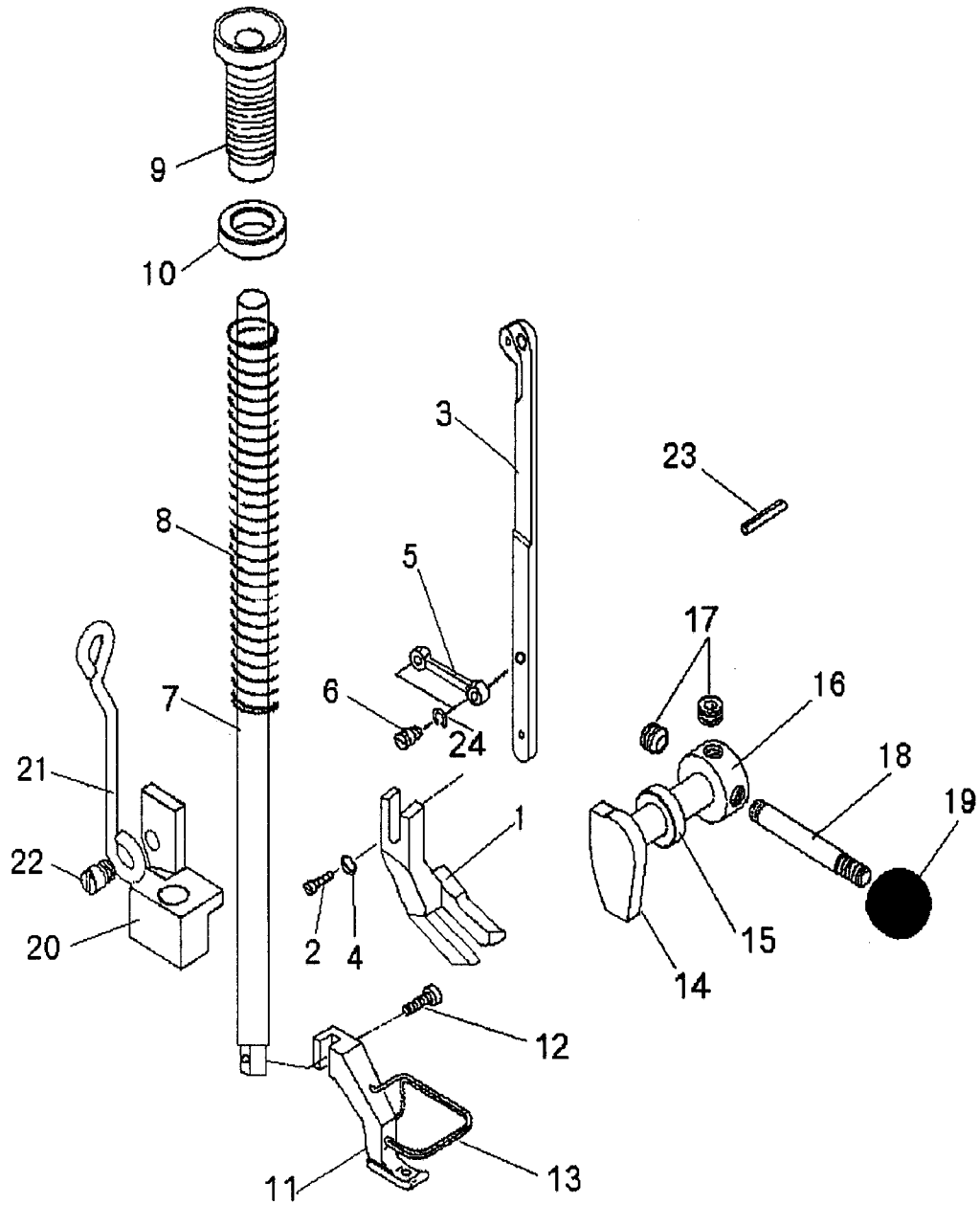
D.FEEDING MECHANISM

Fig. No.	Part No.	Description	Pcs.	Remarks
D01	H7205E8001	Feed cam	1	
D02	H7206E8001	Screw	2	SM15/64(28)×6
D03	H7207E8001	Feed cam cover	1	
D04	H2000B2050	Screw	2	SM11/64(40)×9
D05	H7208E8001	Feed forked connection	1	
D06	H7209E8001	Feed forked connection crank pin	1	
D07	H2010J0066	Nut	1	SM9/32(28)
D08	H7210E8001	Stitch length connecting link	1	
D09	H7211E8001	Stitch length connecting link crank pin	1	
D10	H415050140	Screw	1	GB/T70.1 M5×14
D11	H7212E8001	Stitch length adjusting pin	1	
D12	H7213E8001	Damping plate	1	
D13	HA104G0012	Screw	2	SM3/16(28)×12
D14	H7211D8001	Screw	1	SM3/16(32)×18
D15	H7214E8001	Stitch length adjusting bolt	1	
D16	H7215E8001	Stitch length limited plate	1	
D17	H7216E8001	Nut	1	
D18	HE00001032	Metal ball	1	GB/T308 3.175
D19	H7217E8001	Spring	1	
D20	HF01080320	Plastic ball	1	JB/T7271.1 M8×32
D21	H003008080	Nut	1	GB/T6172.1 M8
D22	H7218E8001	Feed driving rock shaft crank	1	
D23	H415060200	Screw	2	GB/T70.1 M6×20
D24	H7219E8001	Feed driving rock shaft crank pin	2	
D25	H007013080	Retaining ring-E type	2	GB/T896 8
D26	H7220E8001	Feed driving rock shaft	1	
D27	HA108G0661	Collar	1	
D28	H7239D8001	Screw	2	SM1/4(40)×3.5
D29	H7221E8001	Crank pin	1	
D30	H7222E8001	Feed driving connecting link	1	
D31	H7223E8001	Feed driving connecting link crank pin	1	
D32	H2013N0067	Nut	1	SM1/4(24)
D33	H7225E8001	Feed dog base	1	
D34	H9004E8001	Feed dog	1	
D35	HA700F2100	Screw	1	SM11/64(40)×7
D36	H7219E8001	Feed lifting rock shaft crank pin	1	
D37	H007013080	Retaining ring-E type	1	GB/T896 8
D38	H7227E8001	Feed lifting rock shaft	1	
D39	H7228E8001	Collar	1	
D40	H7239D8001	Screw	2	SM1/4(40)×3.5
D41	H7229E8001	Feed dog base limited plate	1	
D42	H5711G8001	Screw	2	SM11/64(40)×6
D43	H9005E8001	Needle plate	1	

D.FEEDING MECHANISM

Fig. No.	Part No.	Description	Pcs.	Remarks
D44	H7231E8001	Screw	2	SM3/16(28)×9.5
D45	H7232E8001	Stitch length outside plate	1	
D46	HA104F0654	Screw	2	SM15/64(28)×9
D47	H7232B8001	Bushing	1	
D48	HA100C2020	Screw	1	SM15/64(28)×10
D49	H7231B8001	Bushing	1	
D50	HA3411D308	Screw	1	SM15/64(28)×7
D51	H7233B8001	Bushing	1	
D52	H2405D0664	Screw	1	SM15/64(28)×14

E.PRESSER FOOT MECHANISM

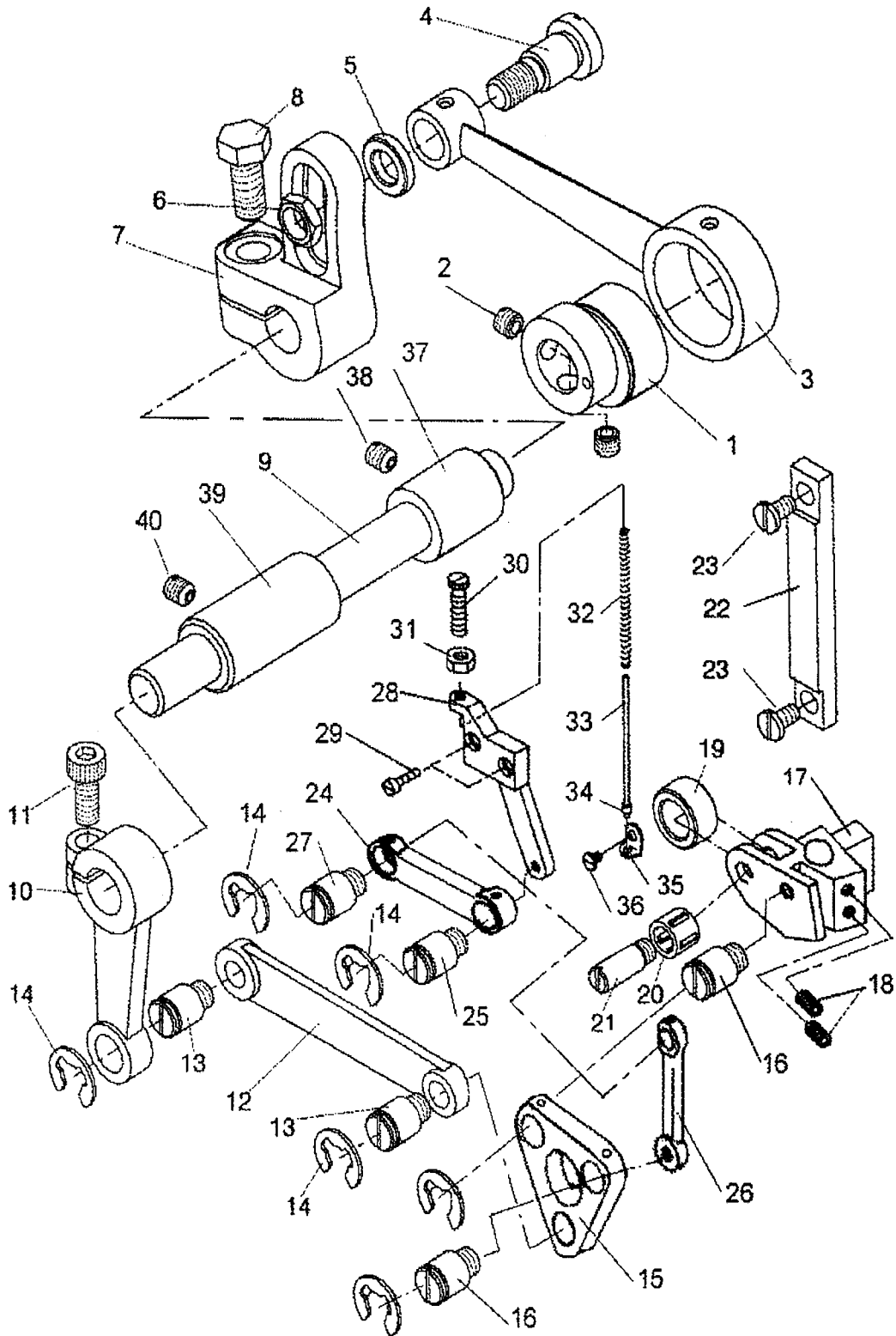


From the library of: Diamond Needle Corp

E.PRESSER FOOT MECHANISM

Fig. No.	Part No.	Description	Pcs.	Remarks
E01	H9004F8001	Presser foot	1	
E02	HA111G0683	Screw	1	SM11/64(40)×12
E03	H9005F8001	Presser foot bar	1	
E04	H005001050	Washer	1	GB/T97.1 5
E05	H9006F8001	Presser foot lifting connecting link	1	
E06	H7214G8001	Screw	2	
E07	H7207F8001	Presser bar	1	
E08	H7208F8001	Presser bar spring	1	
E09	H7209F8001	Thumb screw	1	SM5/8(28)
E10	H7210F8001	Nut	1	
E11	H9007F8001	Walking foot	1	
E12	HA100H2150	Screw	1	SM9/64(40)×11
E13	H9008F8001	Finger guard	1	
E14	H7214F8001	Presser bar lifting shaft	1	
E15	H7215F8001	Washer	1	
E16	H7217F8001	Collar	1	
E17	H7218C8001	Screw	2	SM1/4(40)×4.5
E18	H7219F8001	Bolt	1	
E19	HF01080320	Plastic ball	1	JB/T7271.1 M6×20
E20	H7220F8001	Presser bar guide bracket	1	
E21	H7221F8001	Connecting rod	1	
E22	H7222F8001	Screw	1	SM1/4(40)×40
E23	H609030180	Pin	1	GB/T879.1 3×18
E24	H007013080	Retaining ring-E type	2	GB/T896 8

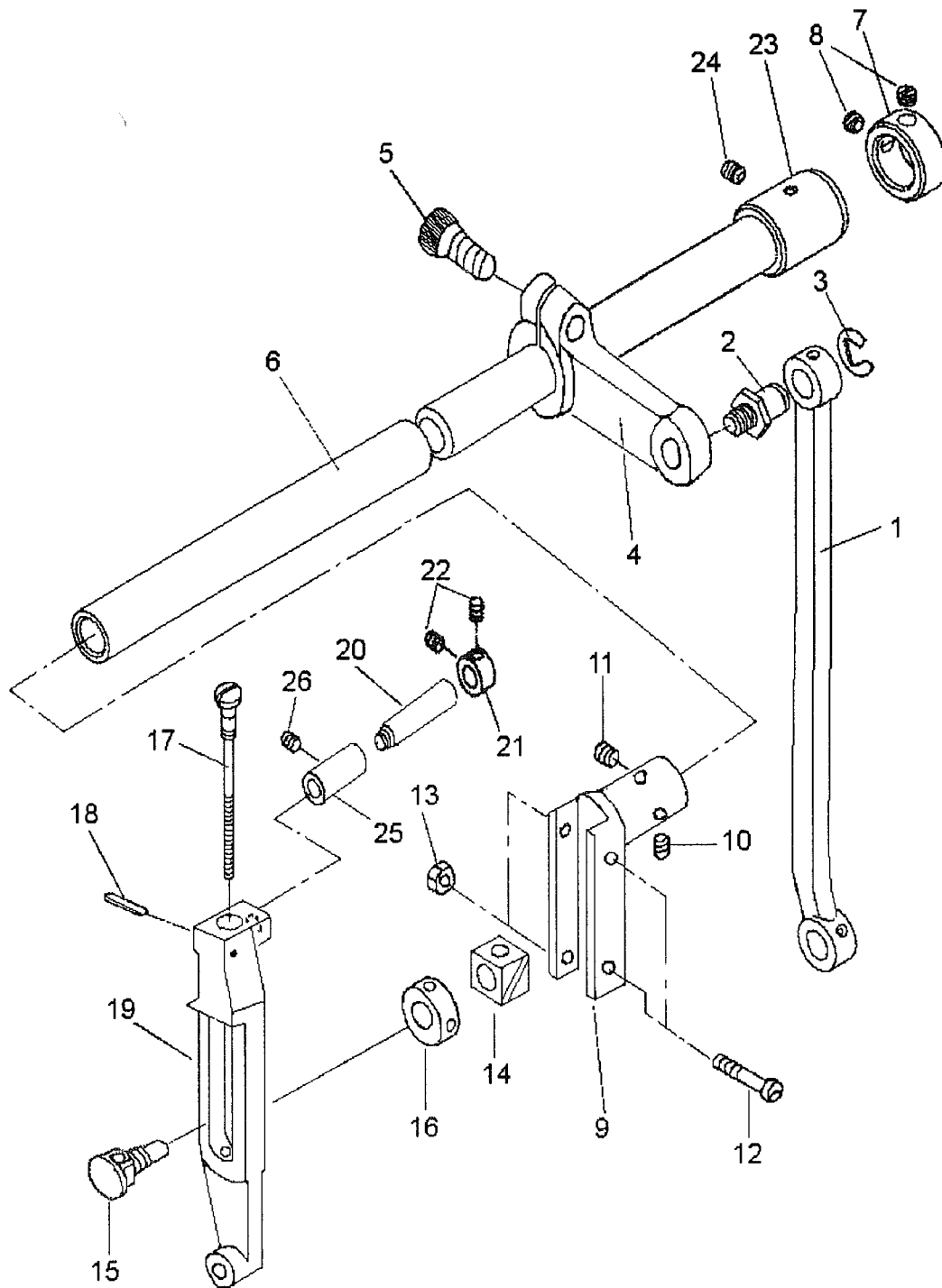
F. UPPER FEED LIFTING ROCK SHAFT MECHANISM



F.UPPER FEED LIFTING ROCK SHAFT MECHANISM

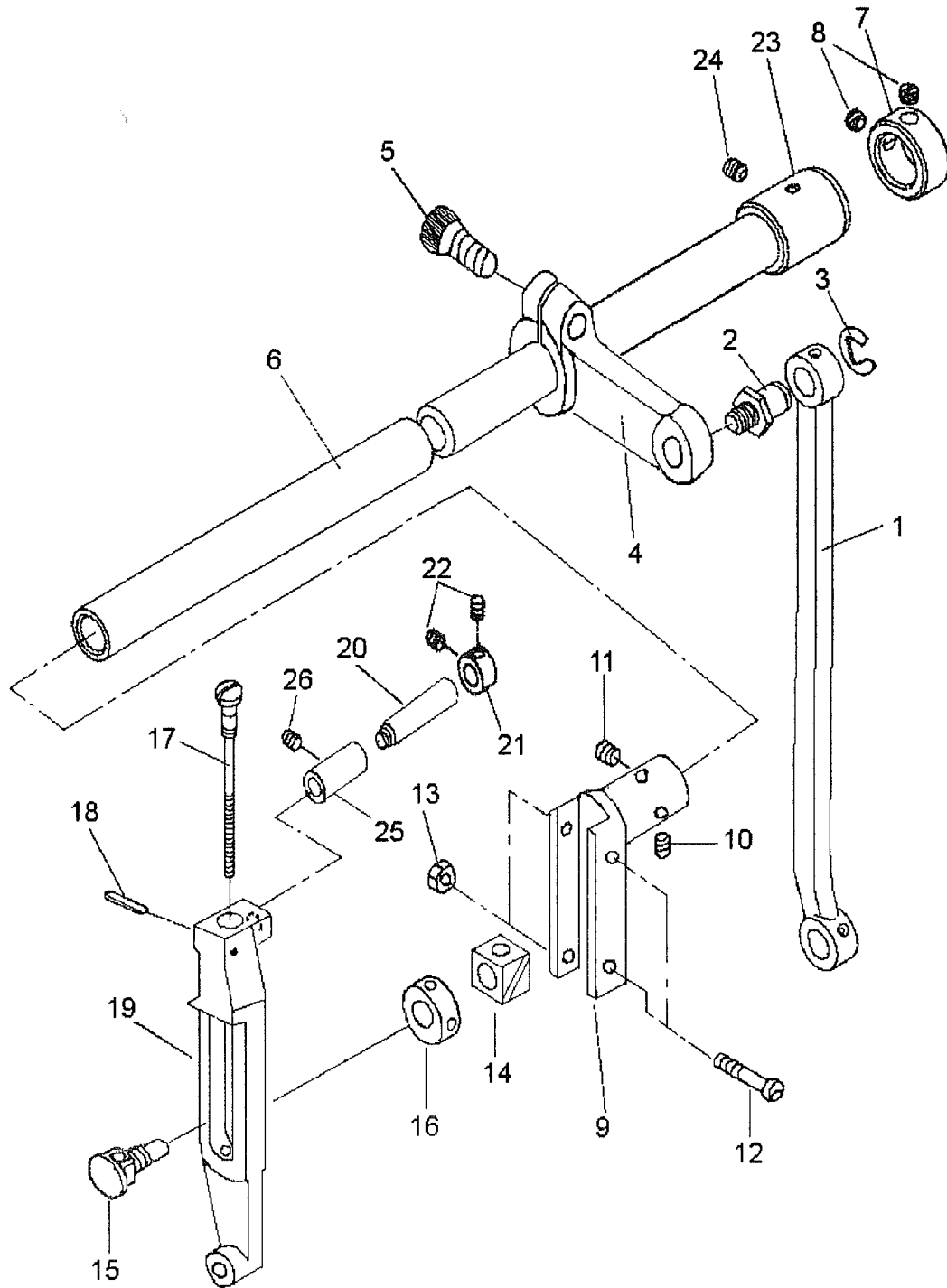
Fig. No.	Part No.	Description	Pcs.	Remarks
F01	H7204G8001	Presser foot lifting eccentric	1	
F02	HA307C0066	Screw	2	SM1/4(40)×6
F03	H7205G8001	Eccentric wheel rod	1	
F04	H7206G8001	Screw	1	
F05	H7207G8001	Washer	1	
F06	H7208G8001	Nut	1	SM11/32(28)
F07	H7209G8001	Adjusting crank	1	
F08	H7210G8001	Screw	1	SM5/16(18)×18
F09	H7211G8001	Presser foot lifting shaft	1	
F10	H7212G8001	Presser foot lifting shaft crank	1	
F11	H415060140	Screw	1	GB/T70.1 M6×14
F12	H7213G8001	Presser foot lifting connecting link	1	
F13	H7214G8001	Screw	2	
F14	H007013080	Retaining ring-E type	4	GB/T896 8
F15	H9004G8001	Presser foot lifting lever	1	
F16	H7214G8001	Screw	2	
F17	H9005G8001	Presser foot lifting lever base	1	
F18	H4933K8001	Screw	2	SM1/4(40)×10
F19	H7217G8001	Roller	1	
F20	H7221G8001	Bearing	1	ISO K7×10×8T2
F21	H7218G8001	Screw	1	SM15/64(28)×5
F22	H7219G8001	Roller base plate	1	
F23	HA700B2060	Screw	2	SM3/16(32)×8
F24	H9006G8001	Presser feed crank link	1	
F25	H9007G8001	Screw	1	
F26	H9008G8001	Presser feed crank link	1	
F27	H7214G8001	Screw	1	
F28	H9009G8001	Lifting presser blacket for spring	1	
F29	HA800F2020	Screw	2	SM15/64(28)×13.5
F30	H2010J0065	Screw	1	
F31	H2010J0066	Nut	1	
F32	H2100I2190	Lifting presser spring	1	
F33	H9011G8001	Presser spring guide	1	
F34	H9012G8001	Presser spring guide block	1	
F35	H9013G8001	Lifting spring guide plate	1	
F36	H9014G8001	Screw	1	
F37	H7221B8001	Bushing	1	
F38	HA3411D308	Screw	1	SM15/64(28)×7
F39	H7222B8001	Bushing	1	
F40	HA3411D308	Screw	1	SM15/64(28)×7

G.UPPER FEED ROCK SHAFT MECHANISM



From the library of: Diamond Needle Corp

G. UPPER FEED ROCK SHAFT MECHANISM

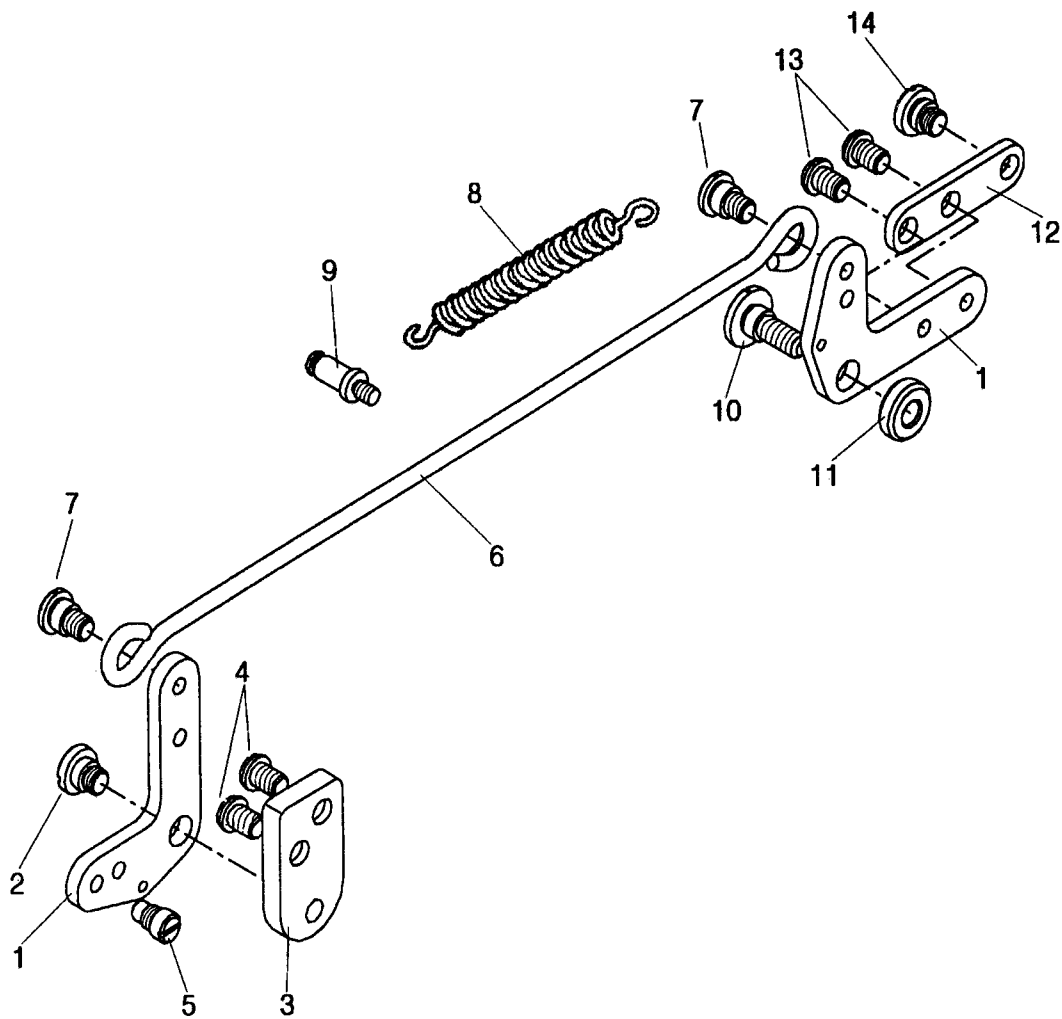


From the library of: Diamond Needle Corp

G.UPPER FEED ROCK SHAFT MECHANISM

Fig. No.	Part No.	Description	Pcs.	Remarks
G01	H9004H8001	Presser foot link	1	
G02	H7219E8001	Screw	1	
G03	H007013080	Retaining ring-E type	1	GB/T896 8
G04	H9005H8001	Presser foo crank	1	
G05	H415060140	Screw	1	GB/T70.1 M6×14
G06	H9006H8001	Presser foot lifting shaft	1	
G07	HA108G0661	Collar	1	
G08	HA105D0662	Screw	2	SM1/4(40)×4.5
G09	H9007H8001	Presser foot	1	
G10	H9008H8001	Screw	1	SM1/4(40)×8.5
G11	H7218C8001	Screw	1	SM1/4(40)×4.5
G12	H9009H8001	Screw	2	SM11/64(40)×25
G13	H2000M0120	Nut	2	SM11/64(40)
G14	H9011H8001	slide block	1	
G15	H9012H8001	Screw	1	
G16	H9013H8001	Nut	1	
G17	H9014H8001	Screw	1	
G18	H609025140	Pin	1	GB/T879.1 2.5×14
G19	H9015H8001	Presser foot rod	1	
G20	H9016H8001	Presser foot rod shaft	1	
G21	H9017H8001	Collar	1	
G22	HA3411D308	Screw	2	SM15/64(28)×7
G23	H9012B8001	Bushing	1	
G24	HA3411D308	Screw	1	SM15/64(28)×7
G25	H9011B8001	Bushing	1	
G26	HA3411D308	Screw	1	SM15/64(28)×7

H.KNEE LIFTER MECHANISM

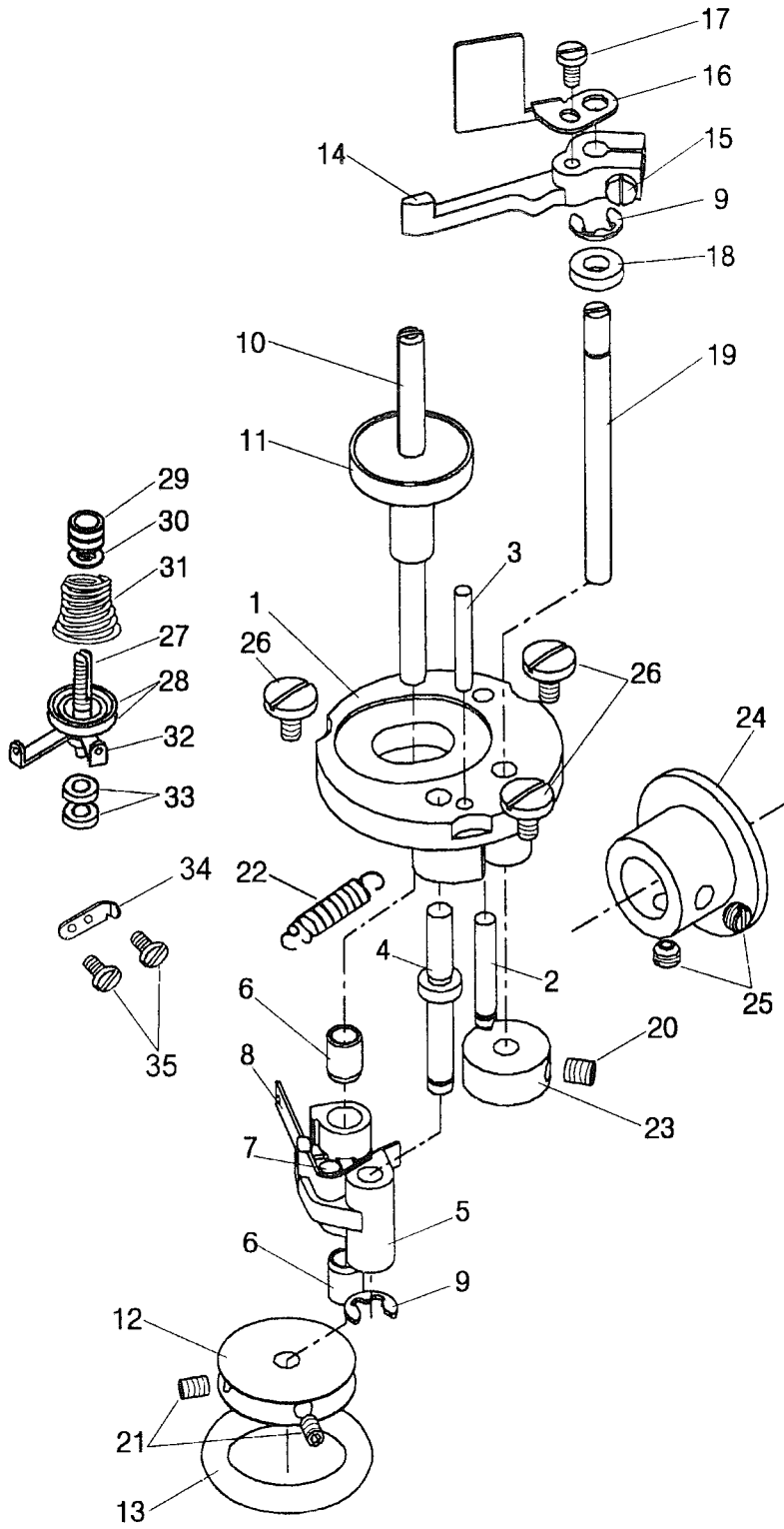


From the library of: Diamond Needle Corp

H.KNEE LIFTER MECHANISM

Fig. No.	Part No.	Description	Pcs.	Remarks
H01	H7204I8001	Knee lifter lever	2	
H02	H7205I8001	Screw	1	SM15/64(28)×6
H03	H7206I8001	Knee lifter lever base	1	
H04	HA300J2280	Screw	2	SM15/64(28)×6.5
H05	H7207I8001	Screw	1	SM15/64(28)×8
H06	H7208I8001	Knee lifter rod	1	
H07	H7205I8001	Screw	2	SM15/64(28)×6
H08	H7209I8001	Coil spring	1	
H09	H7210I8001	Screw	1	
H10	H7211I8001	Screw	1	SM15/64(28)×13
H11	H7212I8001	Washer	1	
H12	H7214I8001	Knee lifter lever connecting plate	1	
H13	HA300J2280	Screw	2	SM15/64(28)×6.5
H14	H7213I8001	Screw	1	SM1/4(40)×3.5

I. BOBBIN WINDER MECHANISM

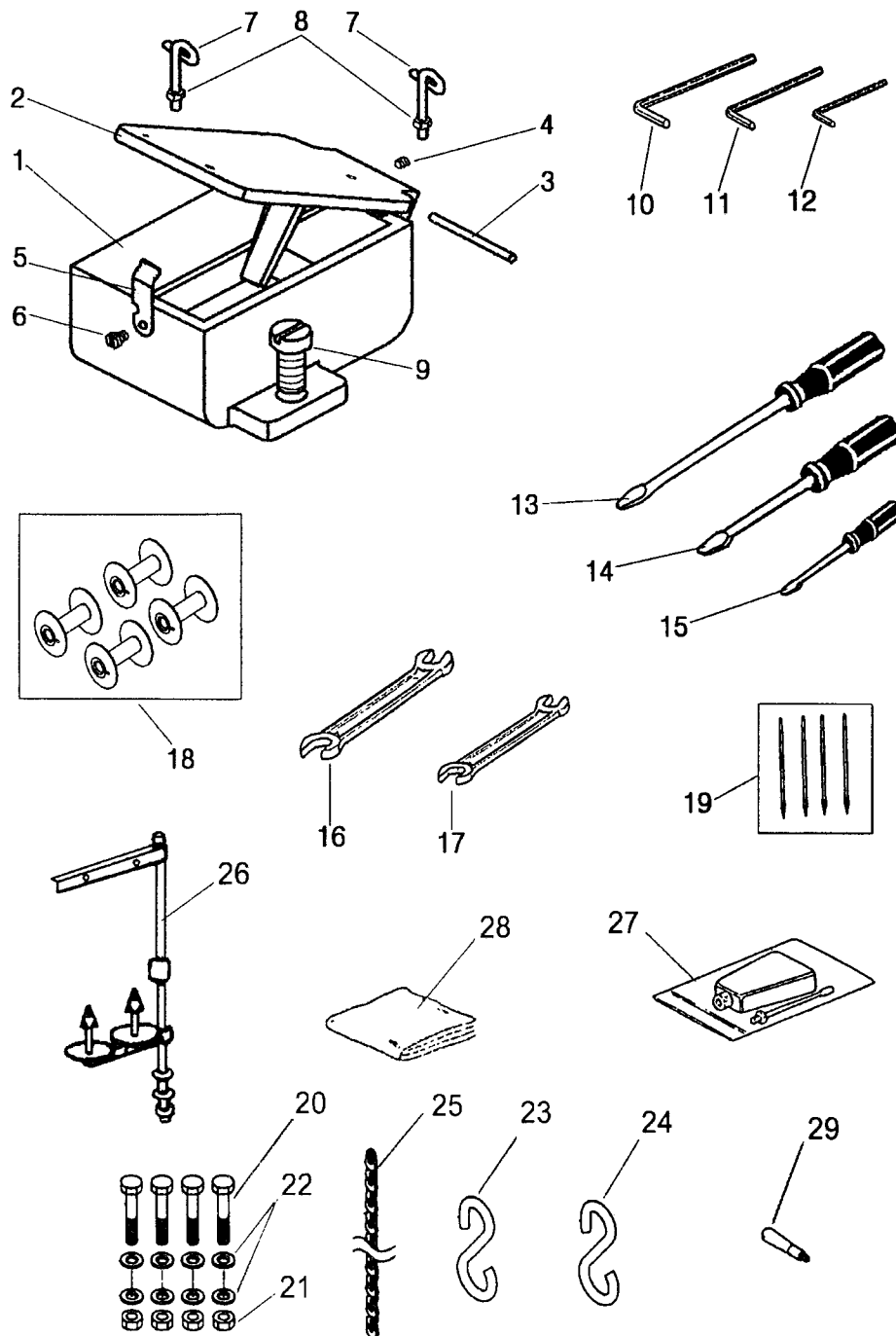


From the library of: Diamond Needle Corp

I.BOBBIN WINDER MECHANISM

Fig. No.	Part No.	Description	Pcs.	Remarks
I01	H6706N8001	Bobbin winder plate	1	
I02	H6707N8001	Pin	1	
I03	H6708N8001	Pin	1	
I04	H7210J8001	Bobbin winder crank shaft	1	
I05	H7213J8001	Bobbin winder crank shaft	1	
I06	H6713N8001	Bushing	2	
I07	H6714N8001	Pin	1	
I08	H6715N8001	Bobbin winder spring	1	
I09	H007013050	Retaining ring-E type	2	GB/T896 5
I10	H7205J8001	Bobbin winder shaft	1	
I11	H6717N8001	Bobbin base	1	
I12	H7214J8001	Driven wheel	1	
I13	H6658B8001	Friction rubber band	1	
I14	H6720N8001	Bobbin winder lever	1	
I15	HA100H2150	Screw	1	SM9/64(40)×11
I16	H7206J8001	Winding length limited plate	1	
I17	H3200B2100	Screw	1	
I18	H6722N8001	Washer	1	
I19	H6723N8001	Pin	1	
I20	H6731N8001	Set screw	1	M5×6
I21	H431030040	Set screw	2	HRC34-48
I22	H6724N8001	Spring	1	
I23	H6725N8001	Bobbin winder cam	1	
I24	H7005D8001	Driving Wheel	1	
I25	H4723D8001	Set screw	2	SM15/64(28)×4.5
I26	H3107G0662	Screw	3	SM11/64(40)×8
I27	H7208J8001	Screw	1	
I28	HA310B0705	Tension disc	2	
I29	HA115B0702	Nut	1	
I30	HA115B7010	Limited plate	1	
I31	H3300B2040	Spring	1	
I32	H6662B8001	Thread guide	1	
I33	H003008040	Washer	2	GB/T6172.1 M4
I34	H6756B8001	Blade	1	
I35	HA500C2070	Screw	2	SM9/64(40)×5

J.ACCESSORIES



From the library of: Diamond Needle Corp

J.ACCESSORIES

Fig. No.	Part No.	Description	Pcs.	Remarks
J01	H7207K8001	Silicon oil box	1	
J02	H7208K8001	Cover	1	
J03	H605030400	Pin	1	GB/T119.2 3×40
J04	H34411C410	Screw	1	SM9/64"(3.57)×40/4
J05	H7209K8001	Spring	1	
J06	H3215K0693	Screw	1	SM9/64(40)×5
J07	H7210K8001	Thread guide	2	
J08	H7211K8001	Nut	2	SM3/32(56)
J09	HA800F2020	Screw	1	SM15/64(28)×13.5
J10	HB00001050	Hexagon socket screw key	1	GB/T5356 5
J11	HB00001040	Hexagon socket screw key	1	GB/T5356 4
J12	HB00001030	Hexagon socket screw key	1	GB/T5356 3
J13	HA300J2070	Screw driver (size L)	1	
J14	HA300J2200	Screw driver (size M)	1	
J15	HA300J2210	Screw driver (size S)	1	
J16	HJ02090110	Spanner	1	GB/T4388 9×11
J17	HJ02100130	Spanner	1	GB/T4388 10×13
J18	H7228D8001	Bobbin	4	
J19	H7220C8001	Needle	4	DY*3 26#
J20	H103100700	Screw	4	GB/T5782 M10×70
J21	H003002100	Nut	4	GB/T6170 M10
J22	H005001100	Washer	8	GB/T97.1 10
J23	HPG100E202	Hook	1	
J24	H7235K8001	Hook	1	
J25		Chain	1	1100mm
J26	HA200J2030	Thread stand assy	1	
J27	H2004O0069	Oiler	1	
J28	H7212K8001	Head cover	1	
J29	H9005K8001		1	

SHANGHAI HUIGONG NO.3 SEWING MACHINE FACTORY

ADD: 1418, Yishan Road, Shanghai, China

Zip Code: 201103

Overseas Business: TEL: 86-21-64853303 FAX: 86-21-64854304

E-mail: highlead@online.sh.cn <http://www.highlead.com.cn>